



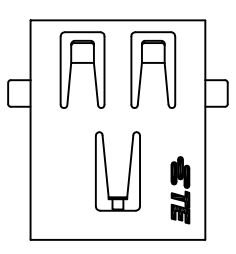
THIS DRAWING IS UNPUBLISHED.  
© COPYRIGHT 2003 BY TCO ELECTRONICS CORPORATION. ALL RIGHTS RESERVED.

RELEASED FOR PUBLICATION

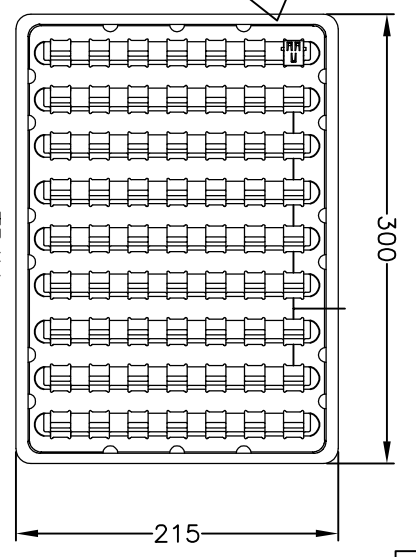
Loc FB DIST

REVISIONS

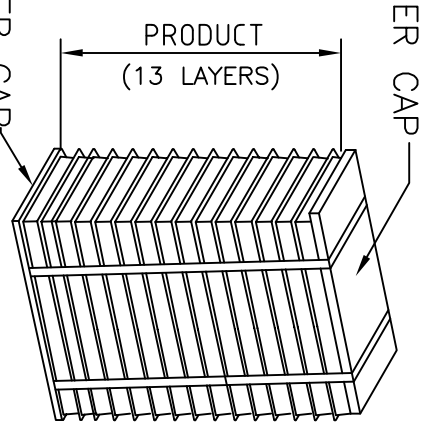
| P | LTR | DESCRIPTION | DATE | DWN | APVD |
|---|-----|-------------|------|-----|------|
|   |     | SEE SHEET 1 |      |     |      |



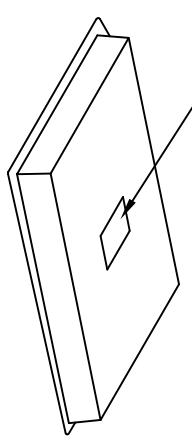
USB CONNECTOR



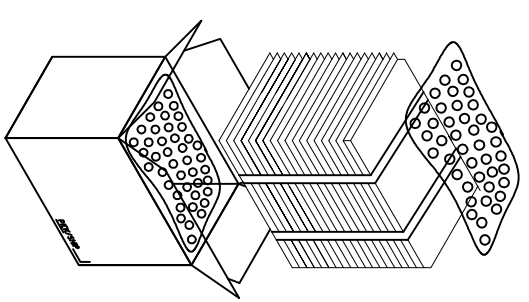
TRAY



PAPER CAP

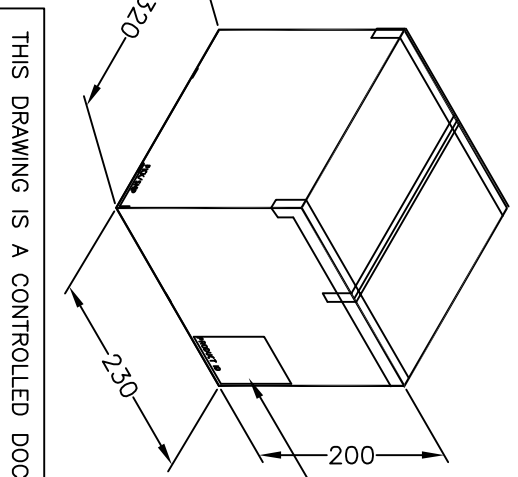


TRAY WITH TOP COVER



OUTER LABEL

USB CONNECTOR PACKING METHOD



THIS DRAWING IS A CONTROLLED DOCUMENT.

| DIMENSIONS: | TOLERANCES UNLESS OTHERWISE SPECIFIED: |
|-------------|--|
| mm          |  |

| MATERIAL | FINISH          |
|----------|-----------------|
|          | 0. PLC ±        |
|          | 1. PLC ±        |
|          | 2. PLC ± 0.3    |
|          | 3. PLC ±        |
|          | 4. PLC ANGLES ± |

- NOTES :
1. MATERIAL:  
TRAY : PS , T=0.8~1.0  
SHIPPING CARTON : CORRUGATED FIBERBOARD
  2. DIMENSION  
TRAY : L=300, W=215, H=10  
SHIPPING CARTON : L=320, W=230, H=200
  3. QUANTITY:  
63 PCS/TRAY  
819 PCS/SHIPPING CARTON
  4. WEIGHT:  
NET WEIGHT:1.24KG  
GROSS WEIGHT:2.53KG



TE Connectivity

USB CONNECTOR RECEPTACLE  
DIP AND OFFSET TYPE

| DMN | CHK | APVD | NAME  |
|-----|-----|------|---|
|     |     |      | USB CONNECTOR RECEPTACLE<br>DIP AND OFFSET TYPE |

| PRODUCT SPEC | APPLICATION SPEC | WEIGHT | SIZE | CAGE CODE | DRAWING NO | SCALE | SHEET  | REV |
|--------------|------------------|--------|------|-----------|------------|-------|--------|-----|
|              |                  |        | A3   | 00779     | G=1746311  |       | 2 OF 2 | G1  |

# Mouser Electronics

Authorized Distributor

Click to View Pricing, Inventory, Delivery & Lifecycle Information:

[TE Connectivity:](#)

[1746311-2](#)