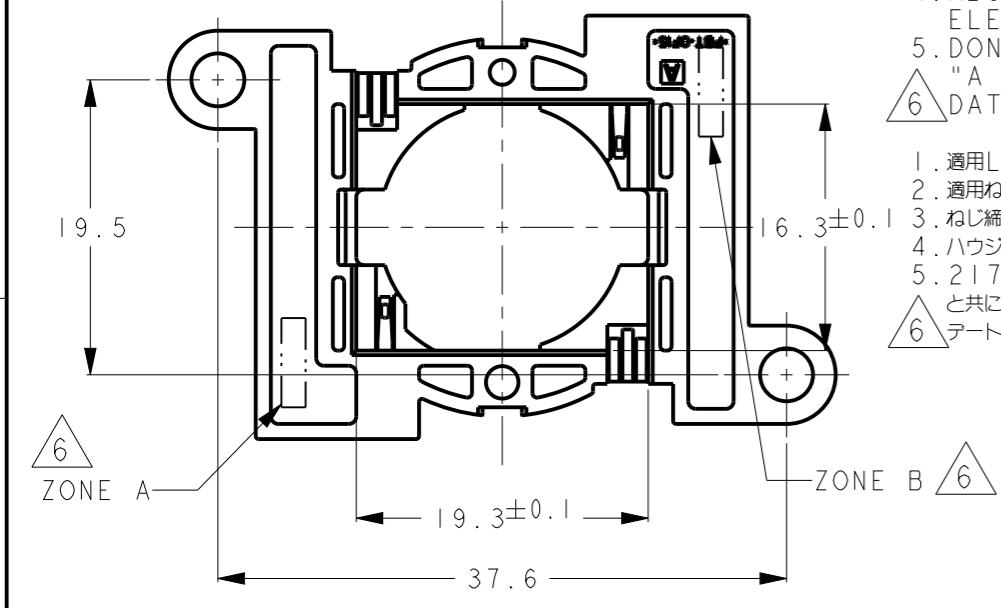
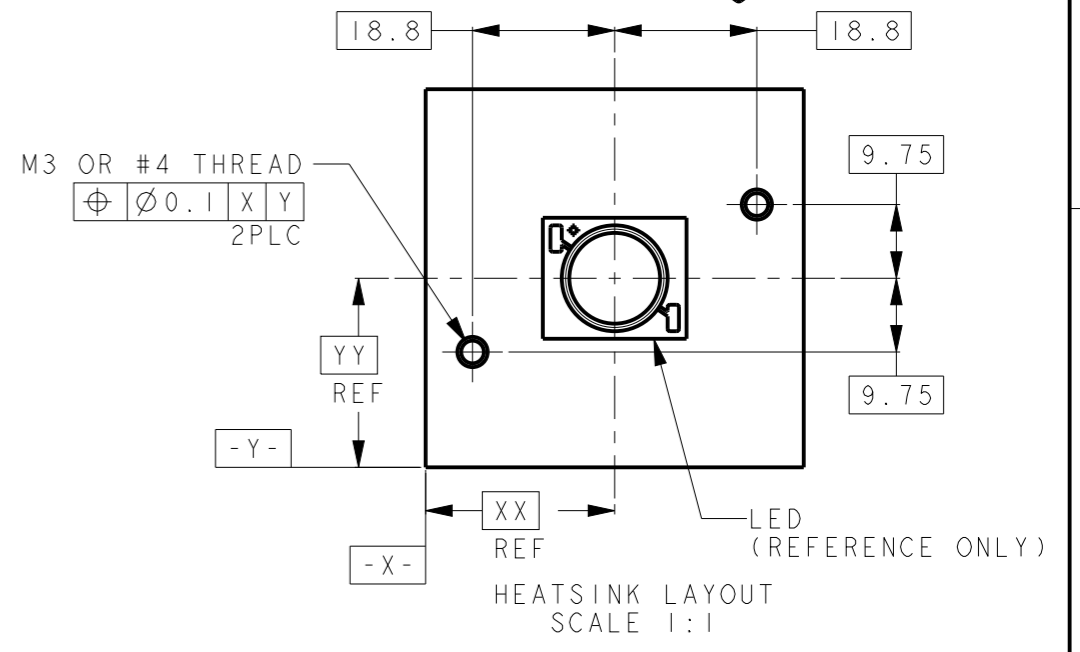
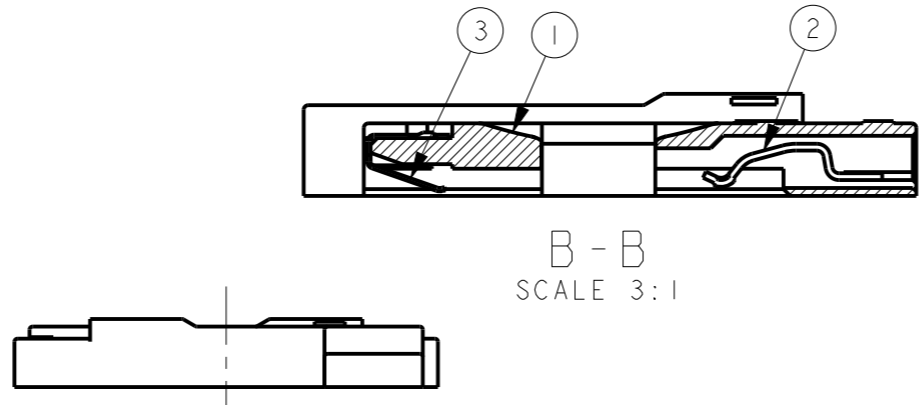
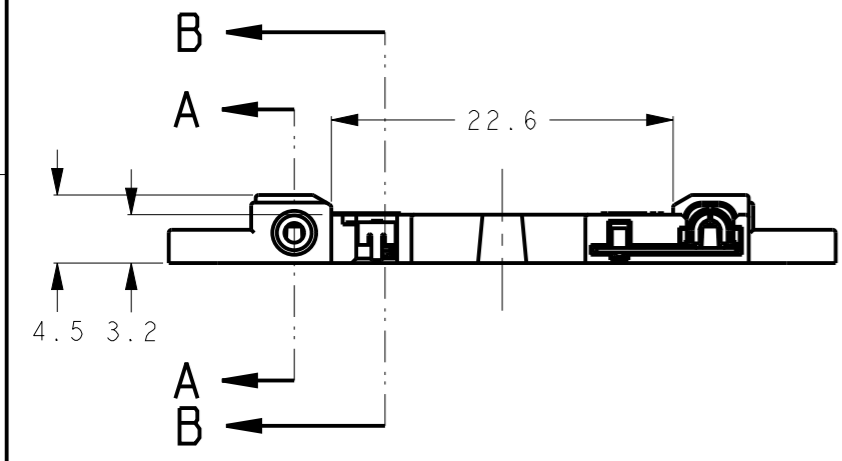
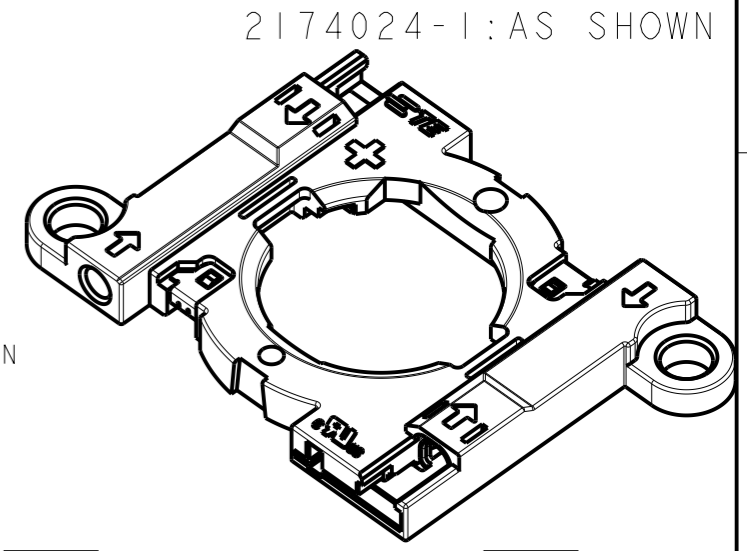
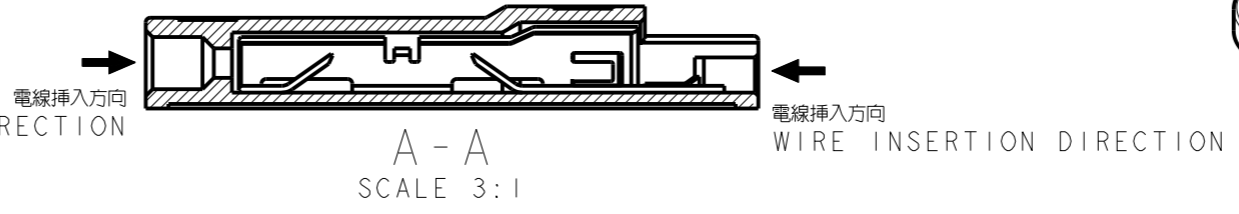
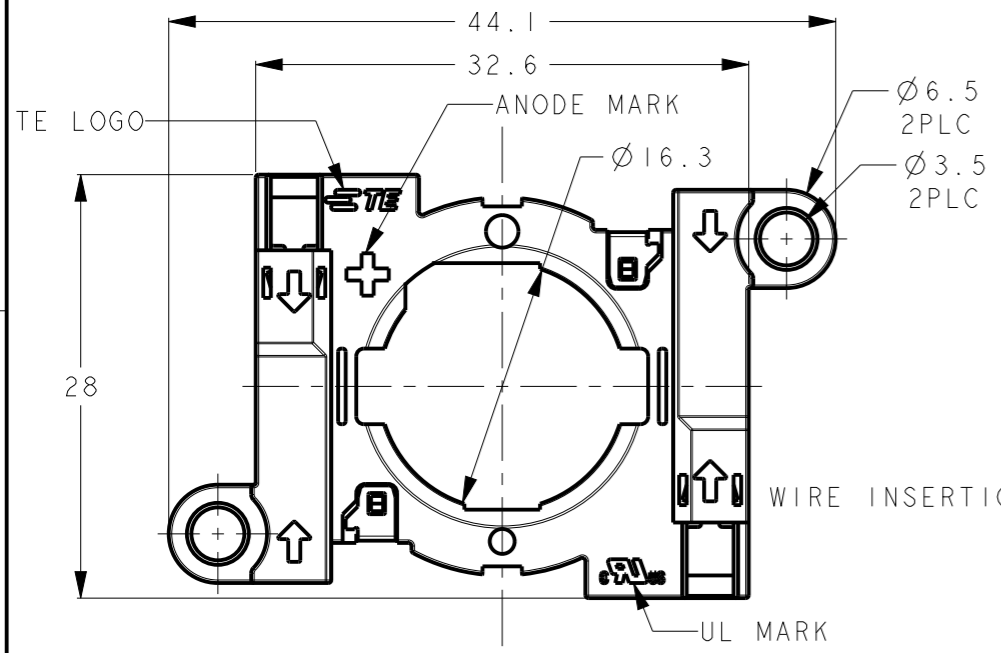


THIS DRAWING IS UNPUBLISHED. RELEASED FOR PUBLICATION XXXXX2011  
 © COPYRIGHT 2011 BY Tyco Electronics Japan G.K. ALL RIGHTS RESERVED.

LOC	DIST	REVISIONS			
P	LTR	DESCRIPTION	DATE	DWN	APVD
J	-	B	REVISED	09DEC2011	T.N N.Y
		C	REVISED(ECR-14-000923)	21JAN2014	T.N N.Y



1. APPLICABLE LED : NICHIA CORPORATION, COB-L SERIES
2. APPLICABLE SCREW : M3 OR #4
3. SCREW TIGHTENING TORQUE : 0.28N·m TO 0.45N·m
4. ABOUT HOUSING VISUAL STANDARD : TO CONFORM TYCO ELECTRONICS CORPORATION INTERNAL RULE.
5. DON'T USE 2174024-1 TOGETHER WITH "A LENS SUPPORTED BY A COVER".
6. DATE CODE IS MARKED ON ZONE A OR ZONE B.

1. 適用LED : 日亜化学工業株式会社 COB-Lシリーズ
2. 適用ねじ : M3または#4
3. ねじ締めトルク値 : 0.28N·m~0.45N·m
4. ハウジングの外観基準 : タイコエレクトロニクス規定に準拠
5. 2174024-1は「カバーによって支えられているレンズ」と共に使用なきこと。
6. デートコードはZONE A, もしくはZONE Bに印字する。

FINISH	MATERIAL	DESCRIPTION	ITEM
LED CONTACT AREA : GOLD PLATED ALL OVER UNDER NICKEL PLATED	STAINLESS STEEL	SPRING PLATE	③
	COPPER ALLOY	CONTACT	②
	PBT-GF, COLOR:NATURAL	HOUSING	①

THIS DRAWING IS A CONTROLLED DOCUMENT.		DWN T. NAGASAKI 26OCT2011		TE Connectivity <b>LUMAWISE LED HOLDER TYPE NL2</b>	
DIMENSIONS: mm		CHK M. HARASAWA 26OCT2011			
TOLERANCES UNLESS OTHERWISE SPECIFIED: ±0.15		APVD N. YAMASAKI 26OCT2011			
0 PLC ± 1 PLC ± 2 PLC ± 3 PLC ± 4 PLC ± ANGLES ±3°		PRODUCT SPEC 108-78865			
MATERIAL SEE TABLE		APPLICATION SPEC 114-5491		NAME	
FINISH SEE TABLE		WEIGHT 2.95g		SIZE CAGE CODE DRAWING NO RESTRICTED TO	
Customer Drawing		A300779		C-2174024	
SCALE		SHEET OF		REV C	

# Mouser Electronics

Authorized Distributor

Click to View Pricing, Inventory, Delivery & Lifecycle Information:

[TE Connectivity:](#)

[2174024-1](#)