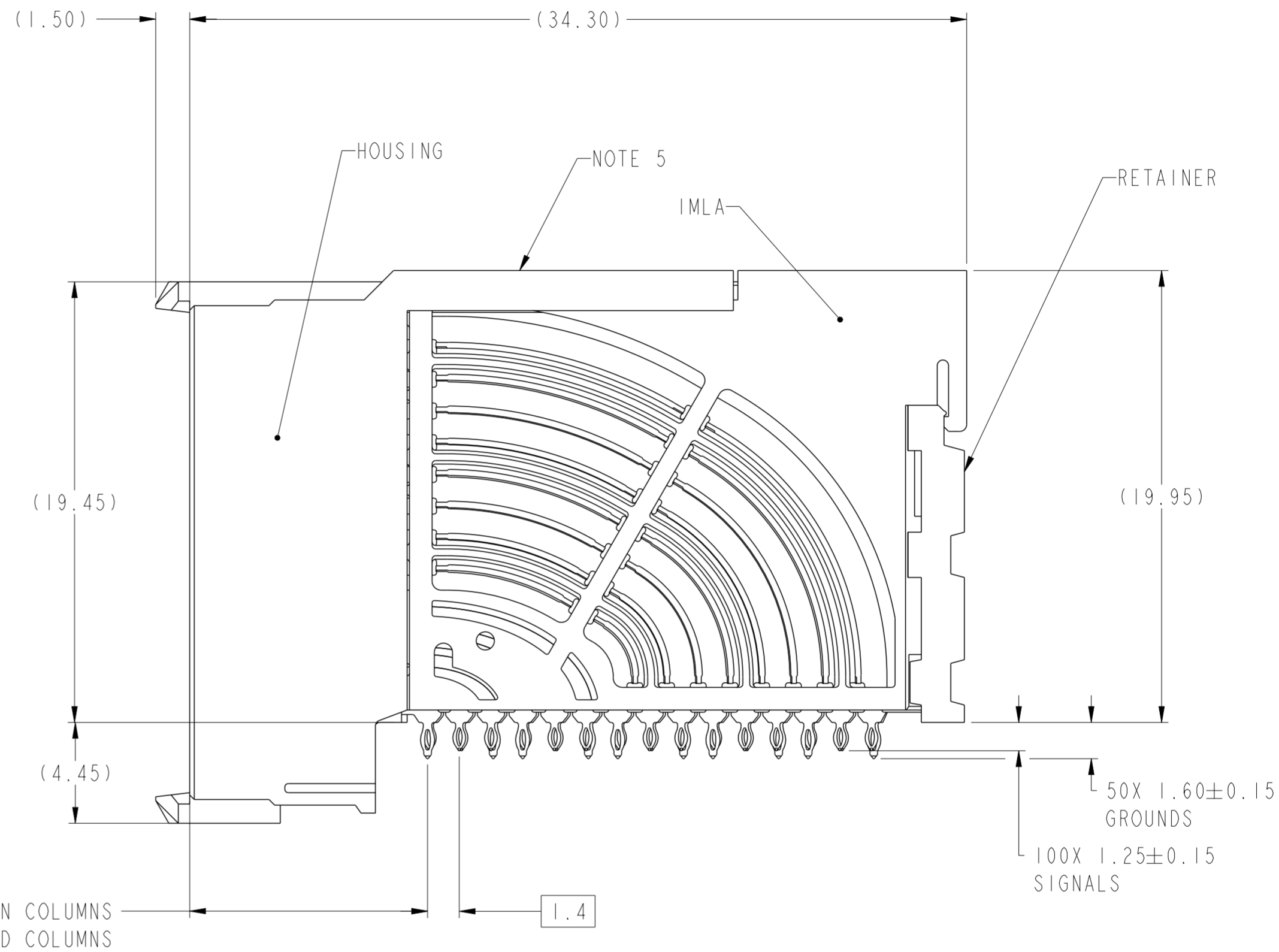
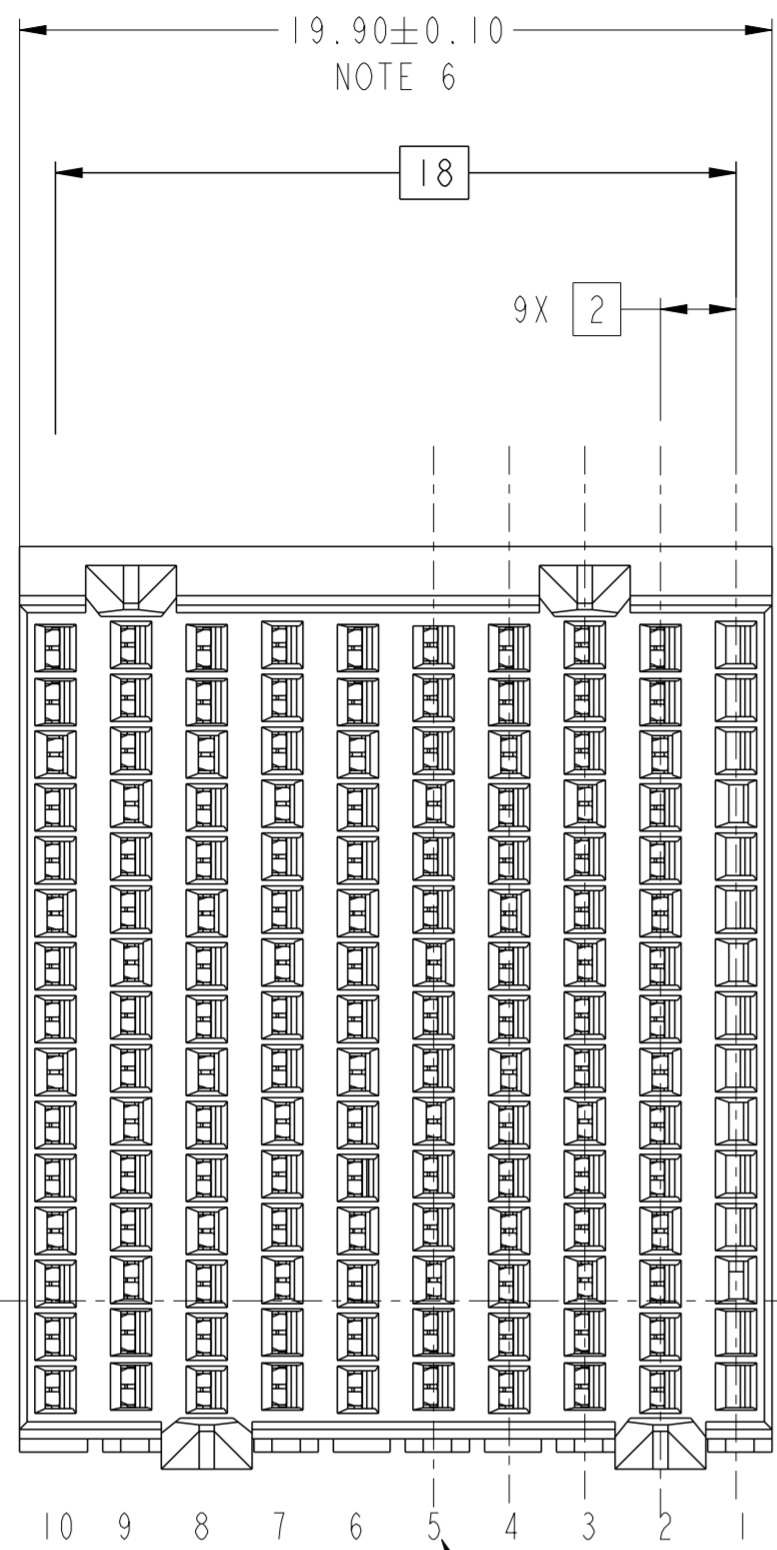


PRODUCT NUMBER  
SEE SHEET 3



TOP SURFACE OF DAUGHTER CARD

2.35

2.25

10.50  $\phi$  EVEN COLUMNS  
10.60  $\phi$  ODD COLUMNS

COLUMN ID

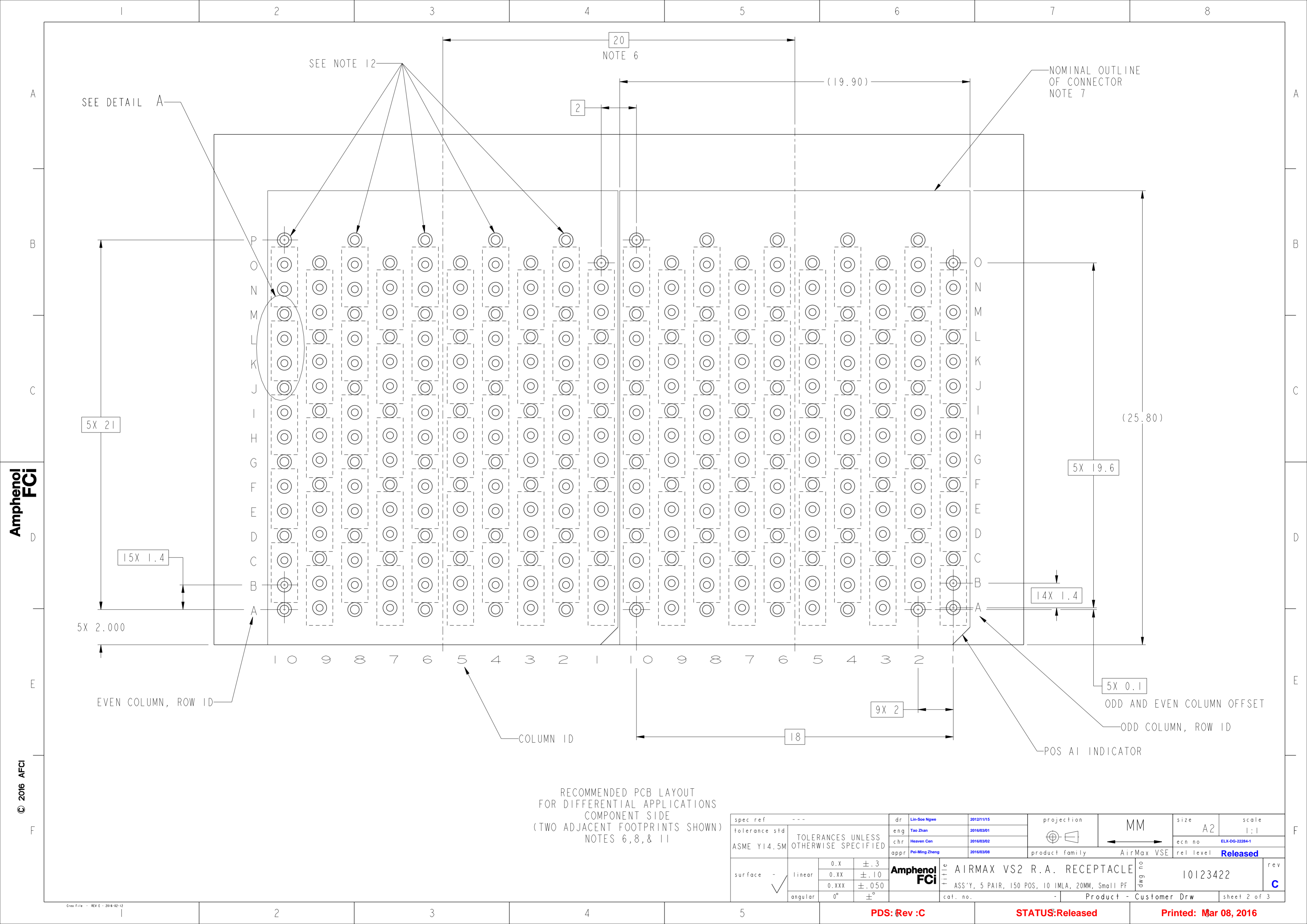
ODD COLUMN, CONTACT ROW ID

EVEN COLUMN, CONTACT ROW ID  
ODD AND EVEN COLUMNS ARE OFFSET

spec ref	---	dr	Lin-Soe Ngwe	2012/1/15	projection	MM	size	A2	scale	1:1												
tolerance std	ASME Y14.5M	eng	Tao Zhan	2016/03/01			ecn no	ELX-DG-22284-1	rel level	Released												
TOLERANCES UNLESS OTHERWISE SPECIFIED		chr	Heaven Cen	2016/03/02			product family	AirMax VSE		rel level	Released											
surface	<table border="1"> <tr> <td>linear</td> <td>0.X</td> <td>±.3</td> </tr> <tr> <td></td> <td>0.XX</td> <td>±.10</td> </tr> <tr> <td></td> <td>0.XXX</td> <td>±.050</td> </tr> <tr> <td>angular</td> <td>0°</td> <td>±°</td> </tr> </table>	linear	0.X	±.3				0.XX		±.10		0.XXX	±.050	angular	0°	±°	appr	Pai-Ming Zheng	2016/03/08	title	AIRMAX VS2 R.A. RECEPTACLE ASS'Y, 5 PAIR, 150 POS, 10 IMLA, 20MM, Small PF	dwg no
linear	0.X	±.3																				
	0.XX	±.10																				
	0.XXX	±.050																				
angular	0°	±°																				
		cat. no.			Product - Customer Drw		sheet 1 of 3															

Amphenol FCI

© 2016 AFCI



RECOMMENDED PCB LAYOUT  
 FOR DIFFERENTIAL APPLICATIONS  
 COMPONENT SIDE  
 (TWO ADJACENT FOOTPRINTS SHOWN)  
 NOTES 6, 8, & 11

spec ref	---	dr	Lin-Soe Ngwe	2012/1/15	projection	MM	size	A2	scale	1:1
tolerance std	ASME Y14.5M	eng	Tao Zhan	2016/03/01			ecn no	ELX-DG-22284-1		
TOLERANCES UNLESS OTHERWISE SPECIFIED		chr	Heaven Cen	2016/03/02				rel level	Released	
surface	-	appr	Pai-Ming Zheng	2016/03/08	product family	AirMax VSE		part no	10123422	
	linear	0.X	±.3	<b>Amphenol FCI</b>	TITLE		AIRMAX VS2 R.A. RECEPTACLE		rev <b>C</b>	
		0.XX	±.10		ASS'Y, 5 PAIR, 150 POS, 10 IMLA, 20MM, Small PF		cat. no.			Product - Customer Drw
	angular	0°	±°		sheet 2 of 3					

PDS: Rev :C

STATUS:Released

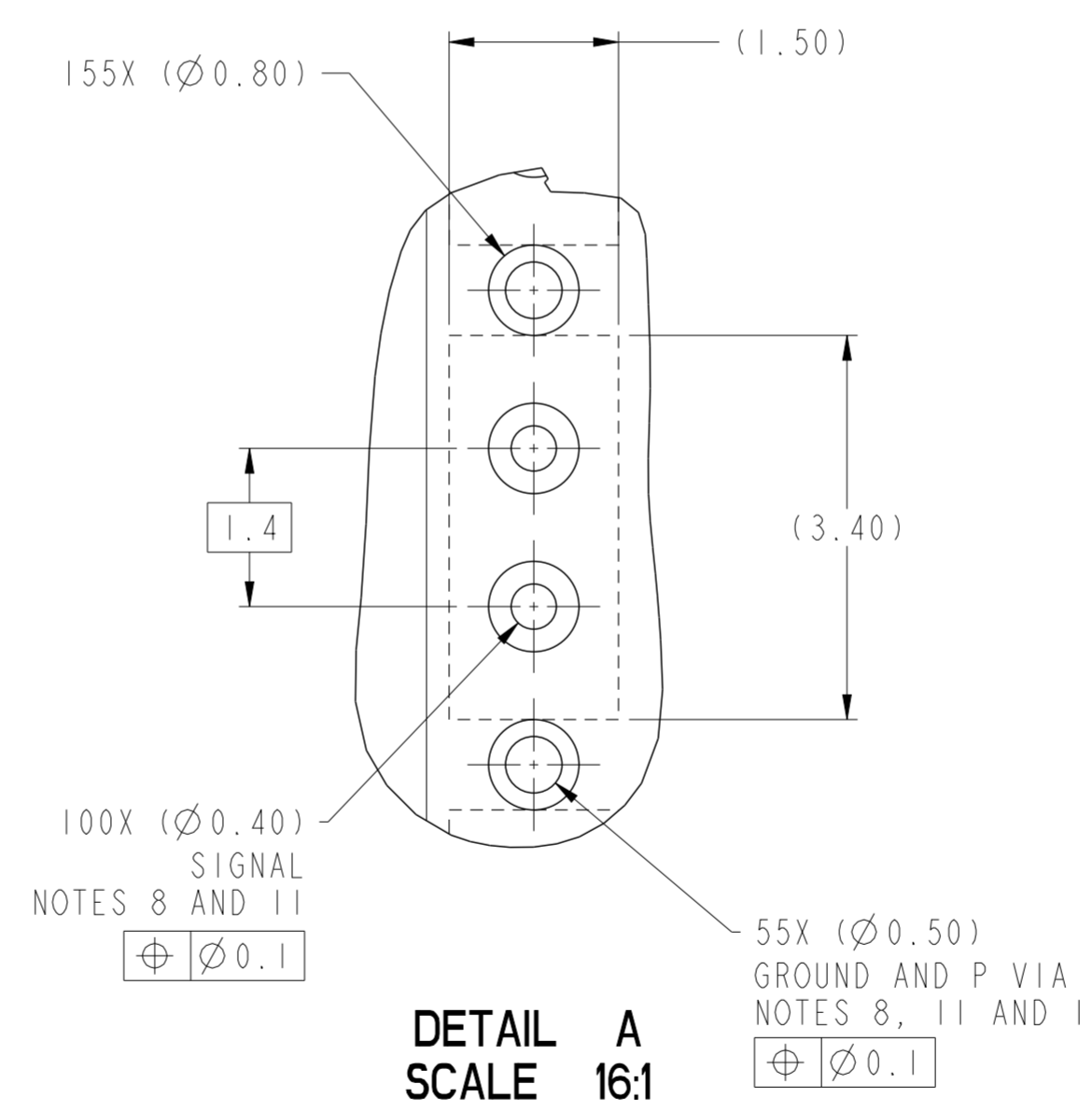
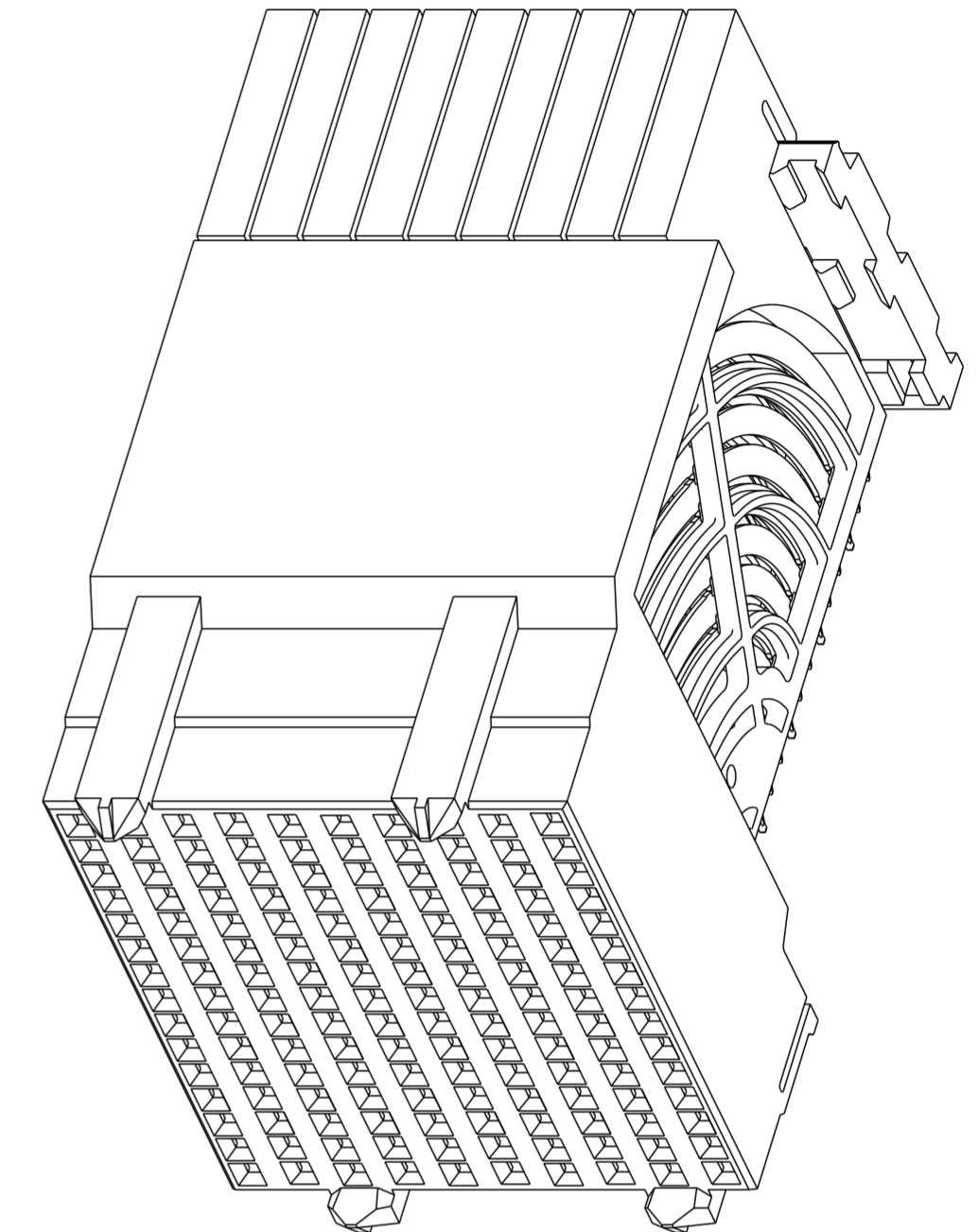
Printed: Mar 08, 2016

Amphenol FCI

© 2016 APCI

PRODUCT NUMBER	PRESS-FIT TAIL PLATING TYPE
10123422-101LF	TIN OVER NICKEL (LEAD FREE)

- ① - CONNECTOR MATERIALS:  
HOUSING: HIGH TEMP THERMOPLASTIC, NATURAL, UL94-V0  
IMLA PLASTIC: HIGH TEMP THERMOPLASTIC, BLACK, UL94-V0  
CONTACT: COPPER ALLOY  
ORGANIZER: HIGH TEMP THERMOPLASTIC, NATURAL, UL94-V0
- 2 - CONTACT PLATING:  
SEPARABLE INTERFACE:  
PERFORMANCE-BASED PLATING, QUALIFIED TO MEET THE REQUIREMENTS OF FCI PRODUCT SPECIFICATION GS-12-0956 INCLUDING TELCORDIA GR-1217-CORE (NOVEMBER 1995) CENTRAL OFFICE TEST SEQUENCE  
  
PRESS-FIT TAILS: SEE TABLE
- 3 - PRODUCT SPECIFICATION: GS-12-0956
- 4 - APPLICATION SPECIFICATION: GS-20-0305.
- ⑤ - PRODUCT MARKING, (PROTOTYPE, PART NUMBER & LOT CODE), ON THIS SURFACE.
- ⑥ - THE MINIMUM CENTERLINE SPACING BETWEEN ADJACENT MODULES IS 20.0 MM.
- ⑦ - CONNECTOR OUTLINE MAY BE SCREEN PRINTED ONTO CUSTOMER PCB TO BE USED AS A GUIDE FOR MANUAL CONNECTOR PLACEMENT.
- ⑧ - REFER TO CUSTOMER DRAWING 10104444 FOR INFORMATION ON PCB HOLE DIAMETERS AND PLATING OPTIONS
- 9 - LEAD FREE PRODUCT MEETS THE EUROPEAN UNION DIRECTIVES & OTHER COUNTRY REGULATIONS AS DESCRIBED IN GS-22-008
- 10 - PACKAGING MEETS GS-14-920 LEAD FREE LABELING SPECIFICATION.
- ⑪ - GROUND CONTACTS (C, F, I, L AND O IN ODD COLUMNS AND A, D, G, J AND M, EVEN COLUMNS) REQUIRE (Ø0.500) FINISHED HOLES. SIGNAL LOCATIONS REQUIRE (Ø0.400) FINISHED HOLES.
- ⑫ - THESE OUTER VIAS (P) ARE OPTIONAL. WHILE NO CONNECTOR PINS ARE PRESSED INTO THESE HOLES, WE RECOMMEND (Ø 0.500) FINISHED HOLES AT THESE LOCATIONS TO PROVIDE GROUND SYMMETRY THROUGH THE PCB



10123422-101LF  
SCALE 4:1

spec ref	---	dr	Lin-See Ngwe	2012/11/15	projection	MM	size	A2	scale	4:1										
tolerance std	ASME Y14.5M	eng	Tao Zhan	2016/03/01			ecn no	ELX-DG-22284-1	rel level	Released										
TOLERANCES UNLESS OTHERWISE SPECIFIED		chr	Heaven Cen	2016/03/02			product family			cat. no.	10123422									
surface	<table border="1"> <tr> <td>linear</td> <td>0.X</td> <td>±.3</td> </tr> <tr> <td></td> <td>0.XX</td> <td>±.10</td> </tr> <tr> <td></td> <td>0.XXX</td> <td>±.050</td> </tr> <tr> <td>angular</td> <td>0°</td> <td>±°</td> </tr> </table>	linear	0.X	±.3				0.XX		±.10		0.XXX	±.050	angular	0°	±°	appr	Pei-Ming Zheng	2016/03/08	title
linear	0.X	±.3																		
	0.XX	±.10																		
	0.XXX	±.050																		
angular	0°	±°																		

PDS: Rev :C

STATUS:Released

Printed: Mar 08, 2016

F

E

D

C

B

A

© 2016 APCI

F

E

D

C

B

A

# Mouser Electronics

Authorized Distributor

Click to View Pricing, Inventory, Delivery & Lifecycle Information:

[FCI / Amphenol:](#)

[10123422-101LF](#)