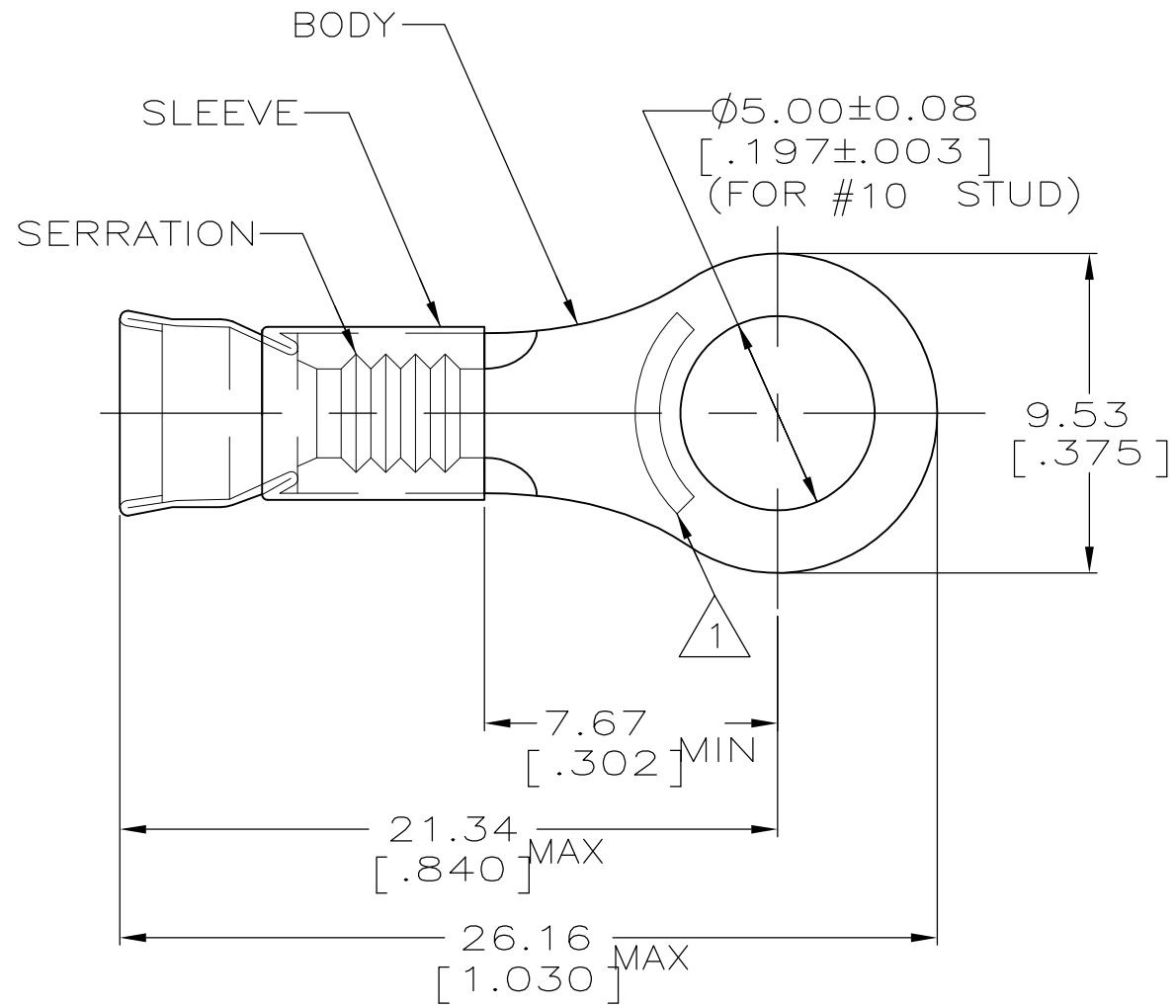


THIS DRAWING IS UNPUBLISHED. RELEASED FOR PUBLICATION  
 © COPYRIGHT - By - ALL RIGHTS RESERVED.

LOC	DIST	REVISIONS			
P	LTR	DESCRIPTION	DATE	DWN	APVD
G	14	D2	REVISED PER ECO-11-013258	28JUN11	HMR DR



- 1 STAMP AMP 12-10\* APPROX AS SHOWN
- 2 WIRE INSUL DIA, 3.81-6.35 [.150-.250]
- 3 TONGUE MATL THK, 0.99±0.05 [.039±.002]

500	LOOSE PIECE	325154
QTY	PACKAGE TYPE	PART NO

AMP INCORPORATED CUSTOMER SERVICE SYSTEM	
FOR ADDITIONAL PRODUCT INFORMATION OR COPIES OF DRAWINGS AND TECHNICAL DOCUMENTS	PRODUCT INFORMATION CENTER 1-800-522-6752
FOR APPLICATION TOOLING INFORMATION	TOOLING ASSISTANCE CENTER 1-800-722-1111
FOR ORDER ENTRY	1-800-526-5142

MAX RECOMMENDED OPERATING TEMPERATURE: 343° C [650° F]
VOLTAGE RATING: -
CIRCULAR MIL AREA: 2.62mm <sup>2</sup> -6.64mm <sup>2</sup> [5180-13100]
STRANDED WIRE

THIS DRAWING IS A CONTROLLED DOCUMENT.	
DIMENSIONS: mm	TOLERANCES UNLESS OTHERWISE SPECIFIED:
	0 PLC ± - 1 PLC ± - 2 PLC ± 0.20 [.008] 3 PLC ± - 4 PLC ± - ANGLES ± -
MATERIAL BODY: CU PER ASTM B152 SLEEVE: NI SIL PER ASTM B122	FINISH BODY, NP, QQ-N-290

DWN L OLMEDA 10OCT94
CHK M ELLIS 10OCT94
APVD S BORTNER 10OCT94
PRODUCT SPEC -
APPLICATION SPEC -
WEIGHT -
CUSTOMER DRAWING

TE Connectivity			
SIZE A3	CAGE CODE 00779	DRAWING NO C-325154	RESTRICTED TO -
SCALE 4:1		SHEET 1 OF 1	REV D2

# Mouser Electronics

Authorized Distributor

Click to View Pricing, Inventory, Delivery & Lifecycle Information:

[TE Connectivity:](#)

[325154](#)