

4

3

2

1

THIS DRAWING IS UNPUBLISHED.

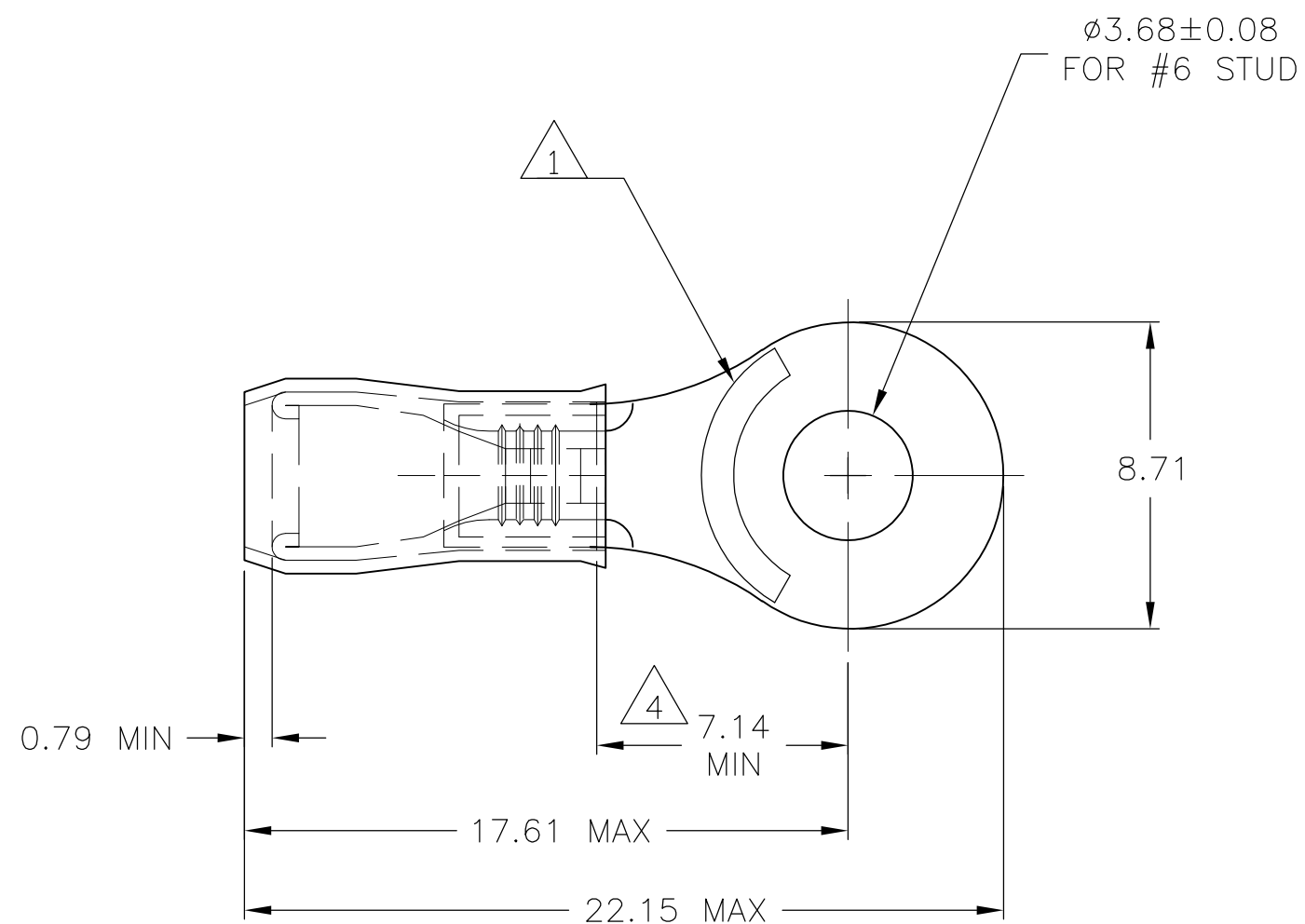
RELEASED FOR PUBLICATION

- . - .

© COPYRIGHT - BY TYCO ELECTRONICS CORPORATION.

ALL RIGHTS RESERVED.

LOC	DIST	REVISIONS					
		P	LTR	DESCRIPTION	DATE	DWN	APVD
G	14		H	REV PER ECR 09-025674	01DEC09	JR	TM



- 1 STAMP AMP 14-12, LOCATION AS SHOWN.
- 2 WIRE INSULATION DIA RANGE IS 2.0-3.2 DIA.
- 3 TONGUE MATERIAL THK IS 0.75±0.05
- 4 DIMENSION APPLIES FROM CENTER OF STUD HOLE TO EDGE OF WIRE BARREL.
- 5 MATERIAL: BODY - COPPER PER ASTM B-152
SLEEVE - NYLON, COLOR WHITE
- 6 FINISH: BODY - TIN PLATE PER ASTM B-545
- 7 MAX RECOMMENDED OPERATING TEMP 105°C
- 8 VOLTAGE RATING: 300 V MAX
- 9 WIRE CROSS SECTIONAL AREA RANGE:
1.65-3.45mm² [3,260-6,800] CMA

AMP
WIRE RANGE

14-12 AWG
SOLID OR STRANDED

500	LOOSE PIECE	152874
QTY	PACKAGING TYPE	PART NO

THIS DRAWING IS A CONTROLLED DOCUMENT.		DWN jr_ruth 05MAY06	Tyco Electronics Corporation Harrisburg, PA 17105-3608	
DIMENSIONS: mm		CHK T MICHIELUTTI 05MAY06	NAME TERMINAL, RING TONGUE, PIDG, WIRE SIZE 14-12 AWG	
TOLERANCES UNLESS OTHERWISE SPECIFIED:		APVD T MICHIELUTTI 05MAY06	PRODUCT SPEC -	
0 PLC ± -		APPLICATION SPEC -		
1 PLC ± -		SIZE A3		
2 PLC ± -		CAGE CODE 00779		
3 PLC ± .008		DRAWING NO G-152874		
4 PLC ± -		RESTRICTED TO -		
4 PLC ANGLES ± 5°		WEIGHT -		
MATERIAL -5		FINISH -6		
CUSTOMER DRAWING		SCALE 5:1		SHEET 1 OF 1
				REV H

Mouser Electronics

Authorized Distributor

Click to View Pricing, Inventory, Delivery & Lifecycle Information:

[TE Connectivity:](#)

[152874](#)