

THIS DRAWING IS UNPUBLISHED.

RELEASED FOR PUBLICATION

© COPYRIGHT -

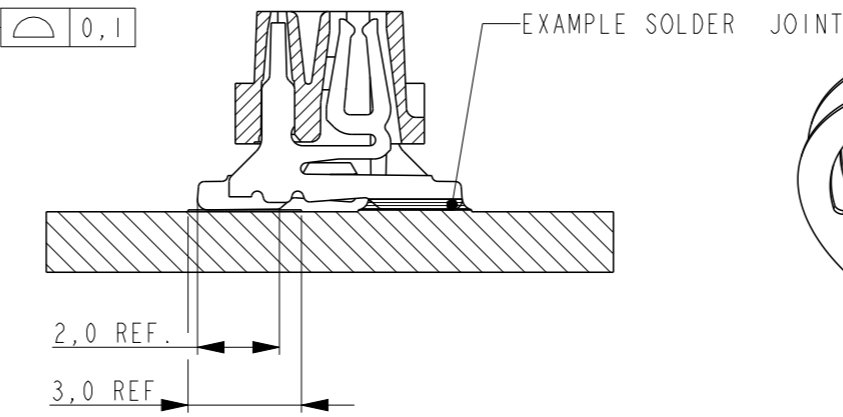
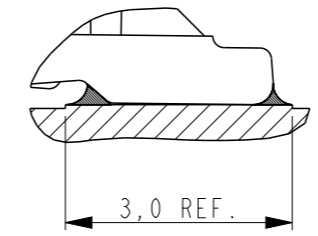
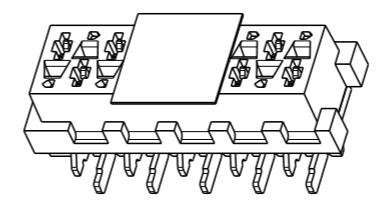
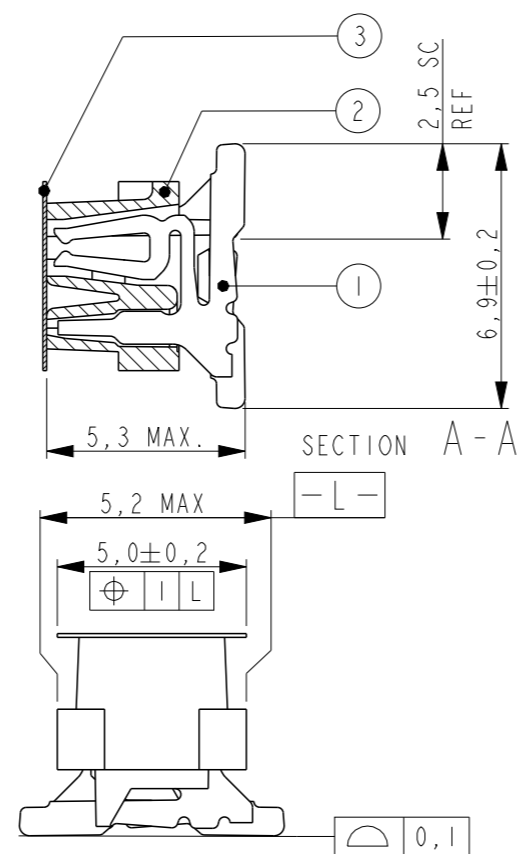
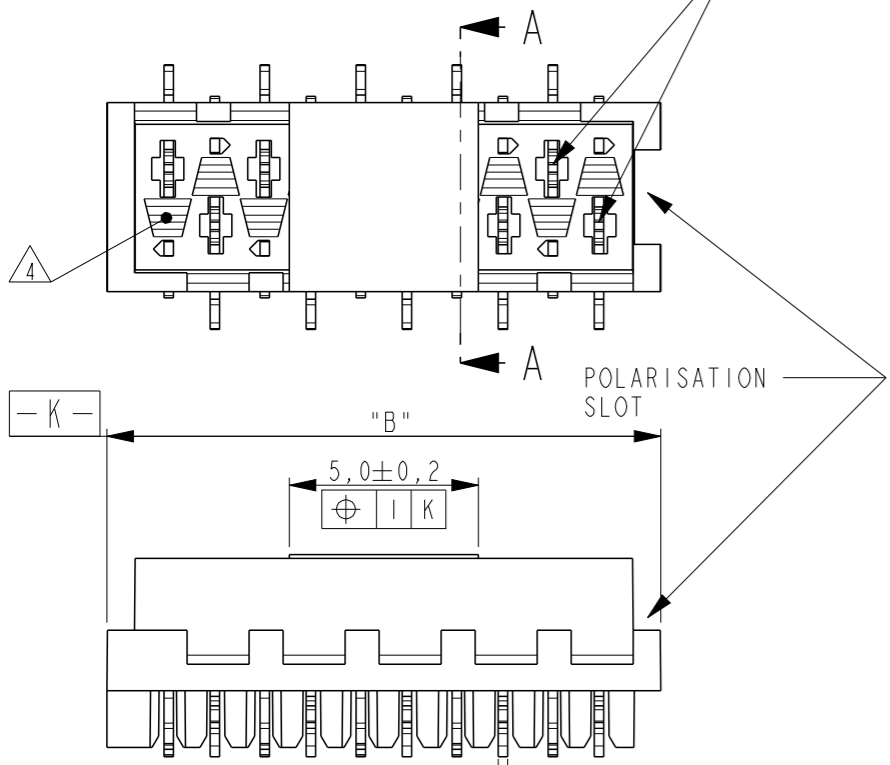
ALL RIGHTS RESERVED.

LOC	DIST
-	-

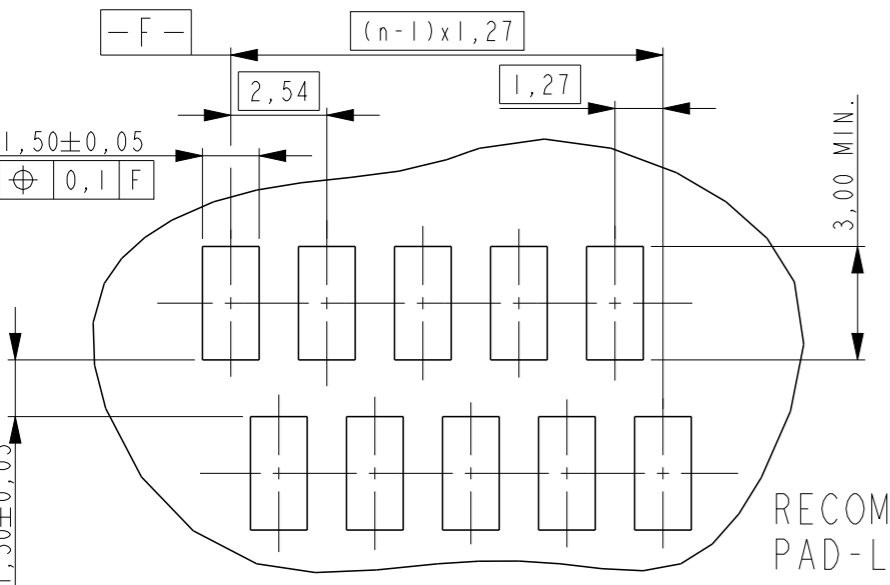
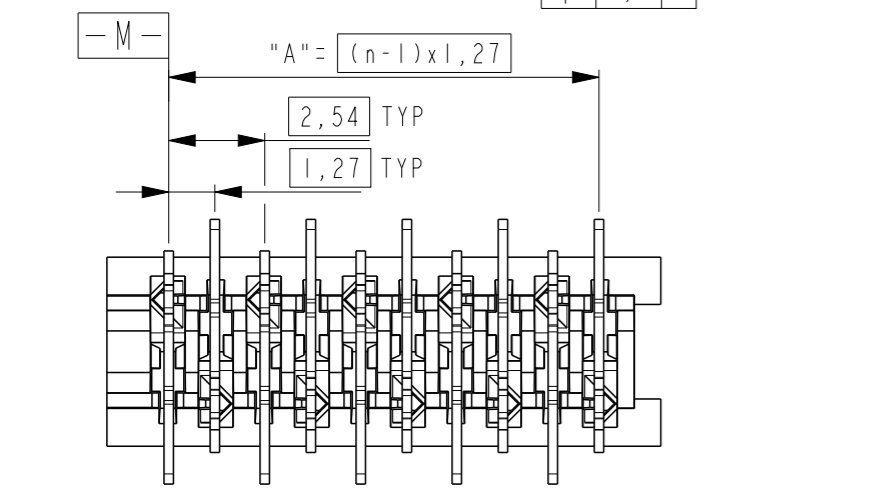
REVISIONS

P	LTR	DESCRIPTION	DATE	DWN	APVD
A		INITIAL RELEASE	08AUG2014	PS	JK

REFERENCE MATING INTERFACE PATTERN:
1,27 STAGGERED PITCH x 1,5 ROW-DISTANCE.

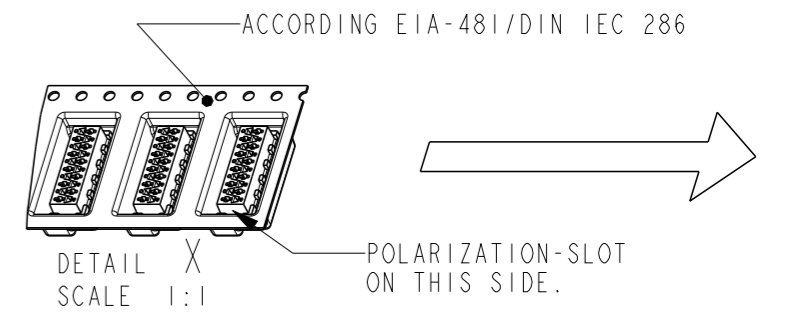
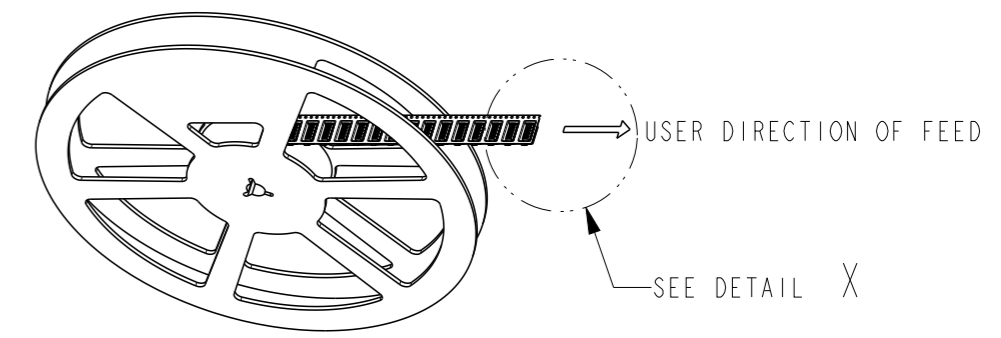


△1 PARTNUMBER VAC. TAPE.	△3 PARTNUMBER	NO. OF POS. "n"	"A"	"B" MAX.
7-2178711-4	2178711-4	4	3,81	7,1
7-2178711-6	2178711-6	6	6,35	9,7
7-2178711-8	2178711-8	8	8,89	12,2
8-2178711-0	1-2178711-0	10	11,43	14,7
8-2178711-2	1-2178711-2	12	13,97	17,3
8-2178711-4	1-2178711-4	14	16,51	19,8
8-2178711-6	1-2178711-6	16	19,05	22,4
8-2178711-8	1-2178711-8	18	21,59	24,9
9-2178711-0	2-2178711-0	20	24,13	27,5



NOTES:

- △1 TAPE FOR VACUUM P&P ONLY FOR DASHNUMBERS 7- /8- /9-
- 2 FOR PACKAGING SEE SHEET 2 OF 2
- △3 WITHOUT VACUUM TAPE.
- △4 CORING-OUTS FOR MANUFACTURING PURPOSE ONLY. SHAPE MAY VARY, BUT IS NOT FUNCTIONAL FOR THE APPLICATION.
- 5 SHOWN IS A 10 POSITION CONNECTOR.



ITEM NO.	COMPONENT DESCRIPTION	MATERIAL	FINISH / COLOR
3	PICK & PLACE TAPE	KAPTON	AMBER TRANSPARENT
2	FEMALE HOUSING	POLYAMIDE 4/6,GF	BLACK
1	FEMALE CONTACT	TIN BRASS	3.0 - 5.0µm TIN OVER 0.5µm NICKEL

THIS DRAWING IS A CONTROLLED DOCUMENT.

DWN 30JUL2014 PRASHANTH
CHK 05AUG2014 PRASHANTH
APVD 05AUG2014 JAYANTH KUMAR

TE Connectivity

Micro-MaTch VALUE LINE
FEMALE-ON-BOARD, TOP ENTRY,
SMD, CONNECTOR

PRODUCT SPEC 108-32087
APPLICATION SPEC 114-13318

SIZE A3 CAGE CODE 00779 DRAWING NO C-2178711

RESTRICTED TO -

CUSTOMER DRAWING SCALE 5:1 SHEET 1 OF 2 REV A

4

3

2

1

THIS DRAWING IS UNPUBLISHED.

RELEASED FOR PUBLICATION

© COPYRIGHT -

ALL RIGHTS RESERVED.

LOC -

DIST -

REVISIONS

P

LTR

DESCRIPTION

DATE

DWN

APVD

SEE SHEET 1

TAPE WIDTH 24 mm TAPE WIDTH 24 mm TAPE WIDTH 24 mm TAPE WIDTH 24 mm

7-2178711-4 7-2178711-6 7-2178711-8 8-2178711-0
 4 POSITION 6 POSITION 8 POSITION 10 POSITION
 2178711-4 2178711-6 2178711-8 1-2178711-0

TAPE WIDTH 44 mm TAPE WIDTH 44 mm TAPE WIDTH 44 mm TAPE WIDTH 44 mm TAPE WIDTH 44 mm

8-2178711-2 8-2178711-4 8-2178711-6 8-2178711-8 9-2178711-0
 12 POSITION 14 POSITION 16 POSITION 18 POSITION 20 POSITION
 1-2178711-2 1-2178711-4 1-2178711-6 1-2178711-8 2-2178711-0

THIS DRAWING IS A CONTROLLED DOCUMENT.

DWN 25JUL2014

PRASHANTH

CHK 05AUG2014

PRASHANTH

APVD 05AUG2014

JAYANTH KUMAR

PRODUCT SPEC

108-32087

APPLICATION SPEC

114-13318

WEIGHT -

CUSTOMER DRAWING

DIMENSIONS:

mm

TOLERANCES UNLESS OTHERWISE SPECIFIED:

0 PLC ±-
 1 PLC ±0.1
 2 PLC ±0.05
 3 PLC ±-
 4 PLC ±-
 ANGLES ±-
 FINISH -

MATERIAL -

TE Connectivity

NAME

Micro-MaTch VALUE LINE
 FEMALE-ON-BOARD, TOP ENTRY,
 SMD, CONNECTOR

SIZE

CAGE CODE

DRAWING NO

RESTRICTED TO

A3

00779

C-2178711

SCALE

1:1

SHEET

2 OF 2

REV

A

1470-19 (3/11)

Mouser Electronics

Authorized Distributor

Click to View Pricing, Inventory, Delivery & Lifecycle Information:

[TE Connectivity:](#)

[2178711-8](#)