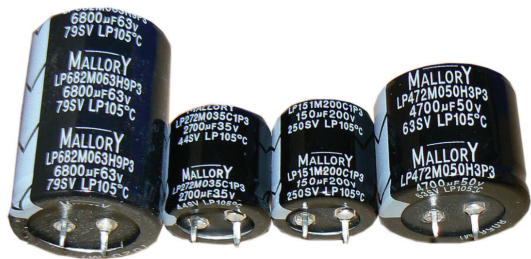


Type LP 105 °C Snap-In Aluminum Electrolytic Capacitors

Stable ESR, Long Life, Snap-In



Type LP radial snap-in aluminum electrolytic capacitors are small in size and are rated for low voltage applications. Their durable construction guarantees a long life while operating up to 105 °C with a stable ESR. These features make the Type LP ideal for use in switch-mode power supplies.

Highlights

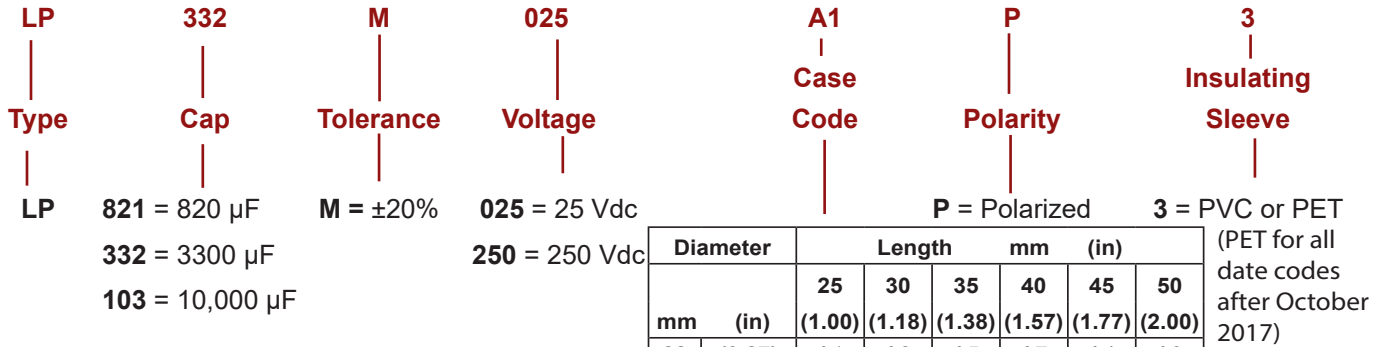
- High Reliability
- 105 °C
- 22 to 35 mm diameter with 10 mm lead spacing

Specifications

| Capacitance Range | 100 to 47,000 μ F | | | | | | | | | | | | | | | | | | | | | | | | | | | | | | | | | | |
|--------------------------------------|--|----------------------|--------------------|----------|--------|---------|------|--------|---------|---------|----------|---------|--------|---------|----------|------|------|------|------|------|------|-----------|------|------|------|------|------|------|------------|------|------|------|------|------|------|
| Capacitance Tolerance | \pm 20% | | | | | | | | | | | | | | | | | | | | | | | | | | | | | | | | | | |
| Rated Voltage | 16 to 250 Vdc | | | | | | | | | | | | | | | | | | | | | | | | | | | | | | | | | | |
| Operating Temperature Range | -40 °C to +105 °C | | | | | | | | | | | | | | | | | | | | | | | | | | | | | | | | | | |
| DC Leakage Test | $I = .02CV$ C = capacitance in μ F V = rated voltage I = leakage current in μ A | | | | | | | | | | | | | | | | | | | | | | | | | | | | | | | | | | |
| Dissipation Factor | <table border="1" style="margin-left: auto; margin-right: auto;"> <thead> <tr> <th colspan="5">DF at 120 Hz, +25 °C</th> </tr> <tr> <th>Vdc</th> <td>16</td> <td>25 - 35</td> <td>50 - 63</td> <td>100- 250</td> </tr> <tr> <th>DF %</th> <td>30</td> <td>25</td> <td>20</td> <td>15</td> </tr> </thead> </table> For values that are >1000 μ F, the DF (%) increases 2% for every additional 1000 μ F | DF at 120 Hz, +25 °C | | | | | Vdc | 16 | 25 - 35 | 50 - 63 | 100- 250 | DF % | 30 | 25 | 20 | 15 | | | | | | | | | | | | | | | | | | | |
| DF at 120 Hz, +25 °C | | | | | | | | | | | | | | | | | | | | | | | | | | | | | | | | | | | |
| Vdc | 16 | 25 - 35 | 50 - 63 | 100- 250 | | | | | | | | | | | | | | | | | | | | | | | | | | | | | | | |
| DF % | 30 | 25 | 20 | 15 | | | | | | | | | | | | | | | | | | | | | | | | | | | | | | | |
| Temperature Ripple Multipliers | <table border="1" style="margin-left: auto; margin-right: auto;"> <thead> <tr> <th>Temperature</th> <th>Ripple Multiplier</th> </tr> </thead> <tbody> <tr> <td>+85 °C</td> <td>1.65</td> </tr> <tr> <td>+65 °C</td> <td>2.25</td> </tr> <tr> <td>+45 °C</td> <td>2.55</td> </tr> </tbody> </table> The maximum ripple current at 105 °C and 120 Hz are the Ratings Table. Adjust to other temperature and frequencies using the tables here. | Temperature | Ripple Multiplier | +85 °C | 1.65 | +65 °C | 2.25 | +45 °C | 2.55 | | | | | | | | | | | | | | | | | | | | | | | | | | |
| Temperature | Ripple Multiplier | | | | | | | | | | | | | | | | | | | | | | | | | | | | | | | | | | |
| +85 °C | 1.65 | | | | | | | | | | | | | | | | | | | | | | | | | | | | | | | | | | |
| +65 °C | 2.25 | | | | | | | | | | | | | | | | | | | | | | | | | | | | | | | | | | |
| +45 °C | 2.55 | | | | | | | | | | | | | | | | | | | | | | | | | | | | | | | | | | |
| Voltage/Frequency Ripple Multipliers | <table border="1" style="margin-left: auto; margin-right: auto;"> <thead> <tr> <th rowspan="2">Rated Vdc</th> <th colspan="6">Ripple Multipliers</th> </tr> <tr> <th>60 Hz</th> <th>100 Hz</th> <th>300 Hz</th> <th>1000 Hz</th> <th>10 kHz</th> <th>100 kHz</th> </tr> </thead> <tbody> <tr> <td>10 to 50</td> <td>0.90</td> <td>1.00</td> <td>1.03</td> <td>1.05</td> <td>1.10</td> <td>1.10</td> </tr> <tr> <td>63 to 100</td> <td>0.85</td> <td>1.00</td> <td>1.07</td> <td>1.13</td> <td>1.19</td> <td>1.20</td> </tr> <tr> <td>160 to 250</td> <td>0.80</td> <td>1.00</td> <td>1.15</td> <td>1.25</td> <td>1.35</td> <td>1.40</td> </tr> </tbody> </table> | Rated Vdc | Ripple Multipliers | | | | | | 60 Hz | 100 Hz | 300 Hz | 1000 Hz | 10 kHz | 100 kHz | 10 to 50 | 0.90 | 1.00 | 1.03 | 1.05 | 1.10 | 1.10 | 63 to 100 | 0.85 | 1.00 | 1.07 | 1.13 | 1.19 | 1.20 | 160 to 250 | 0.80 | 1.00 | 1.15 | 1.25 | 1.35 | 1.40 |
| Rated Vdc | Ripple Multipliers | | | | | | | | | | | | | | | | | | | | | | | | | | | | | | | | | | |
| | 60 Hz | 100 Hz | 300 Hz | 1000 Hz | 10 kHz | 100 kHz | | | | | | | | | | | | | | | | | | | | | | | | | | | | | |
| 10 to 50 | 0.90 | 1.00 | 1.03 | 1.05 | 1.10 | 1.10 | | | | | | | | | | | | | | | | | | | | | | | | | | | | | |
| 63 to 100 | 0.85 | 1.00 | 1.07 | 1.13 | 1.19 | 1.20 | | | | | | | | | | | | | | | | | | | | | | | | | | | | | |
| 160 to 250 | 0.80 | 1.00 | 1.15 | 1.25 | 1.35 | 1.40 | | | | | | | | | | | | | | | | | | | | | | | | | | | | | |
| Load Life Test | 1,000 h @ full load at +105 °C per EIA IS-749 Δ Capacitance \pm 20% ESR 200% of limit DCL 100% of limit | | | | | | | | | | | | | | | | | | | | | | | | | | | | | | | | | | |
| Shelf Life Test | 500 h @ 105 °C, capacitance, \leq 200% ESR and DC \pm 20%, initial requirements | | | | | | | | | | | | | | | | | | | | | | | | | | | | | | | | | | |
| Vibration | 10 to 55 Hz, 0.06" and 10 g max, 2 h in each plane | | | | | | | | | | | | | | | | | | | | | | | | | | | | | | | | | | |
| RoHS Compliant | | | | | | | | | | | | | | | | | | | | | | | | | | | | | | | | | | | |

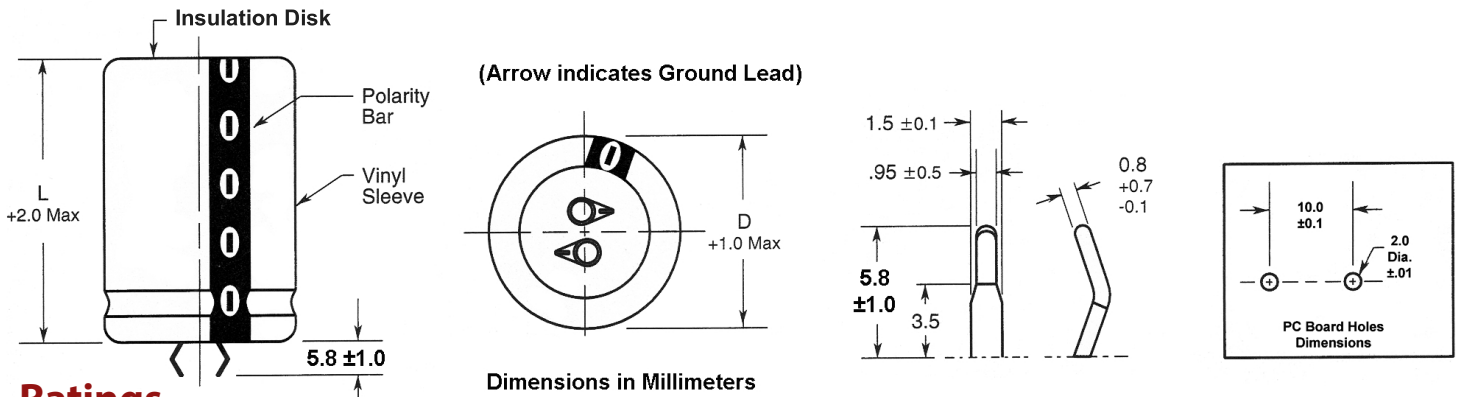
Type LP 105 °C Snap-In Aluminum Electrolytic Capacitors

Part Numbering System



| Diameter | | Length | | | | | |
|----------|--------|--------|--------|--------|--------|--------|--------|
| | | 25 | 30 | 35 | 40 | 45 | 50 |
| mm | (in) | (1.00) | (1.18) | (1.38) | (1.57) | (1.77) | (2.00) |
| 22 | (0.87) | A1 | A3 | A5 | A7 | A4 | A9 |
| 25 | (1.00) | C1 | C3 | C5 | C7 | C4 | C9 |
| 30 | (1.18) | E1 | E3 | E5 | E7 | E4 | E9 |
| 35 | (1.38) | H1 | H3 | H5 | H7 | H4 | H9 |

Outline Drawing



Ratings

| Cap (μF) | Catalog Part Number | Max ESR @ 120 Hz +25 °C (Ω) | Max Ripple @ 120 Hz +105 °C (A) | Size (Inches) | | Size (mm) | |
|-----------------------------|---------------------|-----------------------------|---------------------------------|---------------|-------|-----------|----|
| | | | | D | L | D | L |
| 16 Vdc; 20 Vdc Surge | | | | | | | |
| 4,700 | LP472M016A1P3 | 0.141 | 1.20 | 0.866 | 0.984 | 22 | 25 |
| 5,600 | LP562M016C1P3 | 0.120 | 1.43 | 0.984 | 0.984 | 25 | 25 |
| 8,200 | LP822M016A5P3 | 0.081 | 1.82 | 0.866 | 1.378 | 22 | 35 |
| 12,000 | LP123M016E3P3 | 0.055 | 2.38 | 1.181 | 1.181 | 30 | 30 |
| 15,000 | LP153M016H3P3 | 0.046 | 3.00 | 1.378 | 1.181 | 35 | 30 |
| 22,000 | LP223M016E7P3 | 0.030 | 3.53 | 1.181 | 1.575 | 30 | 40 |
| 27,000 | LP273M016H7P3 | 0.025 | 4.27 | 1.378 | 1.575 | 35 | 40 |
| 33,000 | LP333M016H9P3 | 0.020 | 5.00 | 1.378 | 1.969 | 35 | 50 |
| 47,000 | LP473M016E9P3 | 0.020 | 6.80 | 1.181 | 1.969 | 30 | 50 |
| 25 Vdc; 32 Vdc Surge | | | | | | | |
| 2,700 | LP272M025C1P3 | 0.180 | 1.000 | 0.984 | 0.984 | 25 | 25 |
| 3,300 | LP332M025A1P3 | 0.151 | 1.160 | 0.866 | 0.984 | 22 | 25 |
| 3,300 | LP332M025C1P3 | 0.150 | 1.143 | 0.984 | 0.984 | 25 | 25 |
| 4,700 | LP472M025C1P3 | 0.106 | 1.480 | 0.984 | 0.984 | 25 | 25 |
| 5,600 | LP562M025E1P3 | 0.090 | 1.857 | 1.181 | 0.984 | 30 | 25 |
| 5,600 | LP562M025C3P3 | 0.089 | 1.730 | 0.984 | 1.181 | 25 | 30 |
| 6,800 | LP682M025C5P3 | 0.073 | 1.940 | 0.984 | 1.378 | 25 | 35 |
| 10,000 | LP103M025H3P3 | 0.050 | 3.333 | 1.378 | 1.181 | 35 | 30 |
| 12,000 | LP123M025H3P3 | 0.041 | 2.970 | 1.378 | 1.181 | 35 | 30 |
| 15,000 | LP153M025E7P3 | 0.033 | 3.360 | 1.181 | 1.575 | 30 | 40 |
| 22,000 | LP223M025H9P3 | 0.023 | 4.857 | 1.378 | 1.969 | 35 | 50 |

| Cap (μF) | Catalog Part Number | Max ESR @ 120 Hz +25 °C (Ω) | Max Ripple @ 120 Hz +105 °C (A) | Size (Inches) | | Size (mm) | |
|-----------------------------|---------------------|-----------------------------|---------------------------------|---------------|-------|-----------|----|
| | | | | D | L | D | L |
| 35 Vdc; 44 Vdc Surge | | | | | | | |
| 1,800 | LP182M035A1P3 | 0.188 | 1.040 | 0.866 | 0.984 | 22 | 25 |
| 2,700 | LP272M035C1P3 | 0.155 | 1.257 | 0.984 | 0.984 | 25 | 25 |
| 3,900 | LP392M035E1P3 | 0.108 | 1.571 | 1.181 | 0.984 | 30 | 25 |
| 5,600 | LP562M035E3P3 | 0.074 | 2.050 | 1.181 | 1.181 | 30 | 30 |
| 6,800 | LP682M035E5P3 | 0.060 | 2.286 | 1.181 | 1.378 | 30 | 35 |
| 6,800 | LP682M035C7P3 | 0.061 | 2.320 | 0.984 | 1.575 | 25 | 40 |
| 8,200 | LP822M035H3P3 | 0.051 | 2.690 | 1.378 | 1.181 | 35 | 30 |
| 10,000 | LP103M035E7P3 | 0.041 | 3.000 | 1.181 | 1.575 | 30 | 40 |
| 12,000 | LP123M035H7P3 | 0.035 | 3.590 | 1.378 | 1.575 | 35 | 40 |
| 15,000 | LP153M035H9P3 | 0.028 | 4.000 | 1.378 | 1.969 | 35 | 50 |
| 50 Vdc; 63 Vdc Surge | | | | | | | |
| 1,200 | LP122M050A1P3 | 0.280 | 0.860 | 0.866 | 0.984 | 22 | 25 |
| 1,500 | LP152M050A1P3 | 0.225 | 0.983 | 0.866 | 0.984 | 22 | 25 |
| 2,200 | LP222M050A5P3 | 0.151 | 1.330 | 0.866 | 1.378 | 22 | 35 |
| 2,200 | LP222M050E1P3 | 0.150 | 1.429 | 1.181 | 0.984 | 30 | 25 |
| 3,300 | LP332M050E3P3 | 0.101 | 1.760 | 1.181 | 1.181 | 30 | 30 |
| 3,300 | LP332M050C5P3 | 0.101 | 1.710 | 0.984 | 1.378 | 25 | 35 |
| 3,300 | LP332M050C3P3 | 0.101 | 1.710 | 0.984 | 1.181 | 25 | 30 |
| 3,900 | LP392M050C7P3 | 0.085 | 1.970 | 0.984 | 1.575 | 25 | 40 |
| 4,700 | LP472M050H3P3 | 0.071 | 2.270 | 1.378 | 1.181 | 35 | 30 |

Type LP 105 °C Snap-In Aluminum Electrolytic Capacitors

| Cap (μ F) | Catalog Part Number | Max ESR @ 120 Hz +25 °C (Ω) | Max Ripple @ 120 Hz +105 °C (A) | Size (Inches) | | Size (mm) | |
|-------------------------------|------------------------|---|--|-----------------------------|-------|--------------|----|
| | | | | D | L | D | L |
| | | | | 50 Vdc; 63 Vdc Surge | | | |
| 5,600 | LP562M050H5P3 | 0.059 | 2.60 | 1.378 | 1.378 | 35 | 35 |
| 6,800 | LP682M050E7P3 | 0.049 | 3.16 | 1.181 | 1.575 | 30 | 40 |
| 6,800 | LP682M050E9P3 | 0.049 | 3.16 | 1.181 | 1.969 | 30 | 50 |
| 8,200 | LP822M050H9P3 | 0.040 | 3.43 | 1.378 | 1.969 | 35 | 50 |
| 63 Vdc; 75 Vdc Surge | | | | | | | |
| 820 | LP821M063A1P3 | 0.300 | 0.77 | 0.866 | 0.984 | 22 | 25 |
| 1,200 | LP122M063C1P3 | 0.210 | 0.99 | 0.984 | 0.984 | 25 | 25 |
| 1,800 | LP182M063A7P3 | 0.138 | 1.34 | 0.866 | 1.575 | 22 | 40 |
| 1,800 | LP182M063E1P3 | 0.140 | 1.37 | 1.181 | 0.984 | 30 | 25 |
| 2,200 | LP222M063E3P3 | 0.113 | 1.55 | 1.181 | 1.181 | 30 | 30 |
| 3,300 | LP332M063H3P3 | 0.076 | 2.20 | 1.378 | 1.181 | 35 | 30 |
| 4,700 | LP472M063E9P3 | 0.053 | 2.84 | 1.181 | 1.969 | 30 | 50 |
| 6,800 | LP682M063H9P3 | 0.037 | 3.36 | 1.378 | 1.969 | 35 | 50 |
| 100 Vdc; 125 Vdc Surge | | | | | | | |
| 820 | LP821M100E1P3 | 0.3 | 0.98 | 1.181 | 0.984 | 30 | 25 |
| 2,200 | LP222M100H7P3 | 0.113 | 2.03 | 1.378 | 1.575 | 35 | 40 |
| 2,700 | LP272M100H9P3 | 0.092 | 2.32 | 1.378 | 1.969 | 35 | 50 |
| 2,700 | LP272M100H7P3 | 0.092 | 2.32 | 1.378 | 1.575 | 35 | 40 |
| 200 Vdc; 250 Vdc Surge | | | | | | | |
| 150 | LP151M200C1P3 | 1.650 | 0.509 | 0.984 | 0.984 | 25 | 25 |
| 150 | LP151M200A1P3 | 1.650 | 0.509 | 0.866 | 0.984 | 22 | 25 |
| 180 | LP181M200C1P3 | 1.400 | 0.571 | 0.984 | 0.984 | 25 | 25 |
| 220 | LP221M200C1P3 | 1.100 | 0.646 | 0.984 | 0.984 | 25 | 25 |
| 220 | LP221M200E1P3 | 1.100 | 0.646 | 1.181 | 0.984 | 30 | 25 |
| 220 | LP221M200A3P3 | 1.130 | 0.660 | 0.866 | 1.181 | 22 | 30 |
| 270 | LP271M200E1P3 | 0.920 | 0.790 | 1.181 | 0.984 | 30 | 25 |
| 270 | LP271M200C3P3 | 0.920 | 0.790 | 0.984 | 1.181 | 25 | 30 |
| 330 | LP331M200E3P3 | 0.750 | 0.886 | 1.181 | 1.181 | 30 | 30 |
| 390 | LP391M200C5P3 | 0.640 | 0.980 | 0.984 | 1.378 | 25 | 35 |
| 470 | LP471M200E5P3 | 0.540 | 1.143 | 1.181 | 1.378 | 30 | 35 |

| Cap (μ F) | Catalog Part Number | Max ESR @ 120 Hz +25 °C (Ω) | Max Ripple @ 120 Hz +105 °C (A) | Size (Inches) | | Size (mm) | |
|-------------------------------|------------------------|---|--|-------------------------------|-------|--------------|----|
| | | | | D | L | D | L |
| | | | | 200 Vdc; 250 Vdc Surge | | | |
| 470 | LP471M200E1P3 | 0.540 | 1.140 | 1.181 | 0.984 | 30 | 25 |
| 470 | LP471M200H3P3 | 0.540 | 1.143 | 1.378 | 1.181 | 35 | 30 |
| 560 | LP561M200H3P3 | 0.440 | 1.310 | 1.378 | 1.181 | 35 | 30 |
| 680 | LP681M200E3P3 | 0.370 | 1.520 | 1.181 | 1.181 | 30 | 30 |
| 680 | LP681M200E5P3 | 0.370 | 1.510 | 1.181 | 1.378 | 30 | 35 |
| 680 | LP681M200H1P3 | 0.370 | 1.510 | 1.378 | 0.984 | 35 | 25 |
| 820 | LP821M200H7P3 | 0.300 | 1.750 | 1.378 | 1.575 | 35 | 40 |
| 820 | LP821M200H3P3 | 0.300 | 1.750 | 1.378 | 1.181 | 35 | 30 |
| 1,000 | LP102M200H9P3 | 0.250 | 2.114 | 1.378 | 1.969 | 35 | 50 |
| 1,000 | LP102M200H5P3 | 0.250 | 2.114 | 1.378 | 1.378 | 35 | 35 |
| 1,200 | LP122M200E9P3 | 0.165 | 2.810 | 1.181 | 1.969 | 30 | 50 |
| 1,200 | LP122M200H5P3 | 0.165 | 2.740 | 1.378 | 1.378 | 35 | 35 |
| 1,500 | LP152M200H4P3 | 0.134 | 3.330 | 1.378 | 1.772 | 35 | 45 |
| 1,800 | LP182M200H9P3 | 0.112 | 3.800 | 1.378 | 1.969 | 35 | 50 |
| 250 Vdc; 300 Vdc Surge | | | | | | | |
| 100 | LP101M250A1P3 | 2.500 | 0.410 | 0.866 | 0.984 | 22 | 25 |
| 150 | LP151M250C1P3 | 1.660 | 0.540 | 0.984 | 0.984 | 25 | 25 |
| 180 | LP181M250C3P3 | 1.400 | 0.686 | 0.984 | 1.181 | 25 | 30 |
| 220 | LP221M250E1P3 | 1.130 | 0.710 | 1.181 | 0.984 | 30 | 25 |
| 270 | LP271M250C3P3 | 0.922 | 0.840 | 0.984 | 1.181 | 25 | 30 |
| 330 | LP331M250E3P3 | 0.750 | 0.914 | 1.181 | 1.181 | 30 | 30 |
| 390 | LP391M250H3P3 | 0.640 | 1.090 | 1.378 | 1.181 | 35 | 30 |
| 470 | LP471M250E7P3 | 0.530 | 1.260 | 1.181 | 1.575 | 30 | 40 |
| 470 | LP471M250H1P3 | 0.530 | 1.260 | 1.378 | 0.984 | 35 | 25 |
| 560 | LP561M250H3P3 | 0.347 | 1.800 | 1.378 | 1.181 | 35 | 30 |
| 680 | LP681M250E9P3 | 0.370 | 1.920 | 1.181 | 1.969 | 30 | 50 |
| 680 | LP681M250H5P3 | 0.370 | 2.070 | 1.378 | 1.378 | 35 | 35 |
| 820 | LP821M250H7P3 | 0.243 | 2.400 | 1.378 | 1.575 | 35 | 40 |
| 1,000 | LP102M250H4P3 | 0.200 | 2.720 | 1.378 | 1.772 | 35 | 45 |
| 1,200 | LP122M250H9P3 | 0.165 | 3.100 | 1.378 | 1.969 | 35 | 50 |

Type LP 105 °C Snap-In Aluminum Electrolytic Capacitors

Notice and Disclaimer: All product drawings, descriptions, specifications, statements, information and data (collectively, the "Information") in this datasheet or other publication are subject to change. The customer is responsible for checking, confirming and verifying the extent to which the Information contained in this datasheet or other publication is applicable to an order at the time the order is placed. All Information given herein is believed to be accurate and reliable, but it is presented without any guarantee, warranty, representation or responsibility of any kind, expressed or implied. Statements of suitability for certain applications are based on the knowledge that the Cornell Dubilier company providing such statements ("Cornell Dubilier") has of operating conditions that such Cornell Dubilier company regards as typical for such applications, but are not intended to constitute any guarantee, warranty or representation regarding any such matter – and Cornell Dubilier specifically and expressly disclaims any guarantee, warranty or representation concerning the suitability for a specific customer application, use, storage, transportation, or operating environment. The Information is intended for use only by customers who have the requisite experience and capability to determine the correct products for their application. Any technical advice inferred from this Information or otherwise provided by Cornell Dubilier with reference to the use of any Cornell Dubilier products is given gratis (unless otherwise specified by Cornell Dubilier), and Cornell Dubilier assumes no obligation or liability for the advice given or results obtained. Although Cornell Dubilier strives to apply the most stringent quality and safety standards regarding the design and manufacturing of its products, in light of the current state of the art, isolated component failures may still occur. Accordingly, customer applications which require a high degree of reliability or safety should employ suitable designs or other safeguards (such as installation of protective circuitry or redundancies or other appropriate protective measures) in order to ensure that the failure of an electrical component does not result in a risk of personal injury or property damage. Although all product-related warnings, cautions and notes must be observed, the customer should not assume that all safety measures are indicated in such warnings, cautions and notes, or that other safety measures may not be required.

Mouser Electronics

Authorized Distributor

Click to View Pricing, Inventory, Delivery & Lifecycle Information:

Cornell Dubilier:

[LP821M200H7P3](#) [LP822M016E1P3](#) [LP391M200C5P3](#) [LP272M035C1P3](#) [LP682M025C5P3](#) [LP152M050A1P3](#)
[LP153M035H9P3](#) [LP123M016E3P3](#) [LP123M035H7P3](#) [LP821M100E1P3](#) [LP222M050E1P3](#) [LP682M050ME9P3](#)
[LP332M050C3P3](#) [LP472M016A1P3](#) [LP182M200H9P3](#) [LP822M050H9P3](#) [LP821M063A1P3](#) [LP103M035E7P3](#)
[LP561M200H3P3](#) [LP472M063E9P3](#) [LP102M200H9P3](#) [LP153S025E9P3](#) [LP101M250A1P3](#) [LP102M200C9P3](#)
[LP102M200H5P3](#) [LP102M200H7P3](#) [LP102M250H4P3](#) [LP103M016C1P3](#) [LP103M035C4P3](#) [LP103M035E9P3](#)
[LP103M035H5P3](#) [LP103M063H9P3](#) [LP103M080H9P3](#) [LP122M050A1P3](#) [LP122M063A1P3](#) [LP122M200E9P3](#)
[LP122M200H5P3](#) [LP122M250H4P3](#) [LP122M250H9P3](#) [LP123M025H3P3](#) [LP151M200A1P3](#) [LP151M200C1P3](#)
[LP151M250C1P3](#) [LP151M450C7P3](#) [LP152M160E9P3](#) [LP152M200H4P3](#) [LP153M016E5P3](#) [LP153M035H7P3](#)
[LP181M200C1P3](#) [LP181M250C3P3](#) [LP182M035A1P3](#) [LP182M063A7P3](#) [LP182M063E1P3](#) [LP182M160E9P3](#)
[LP221M200A3P3](#) [LP221M250A3P3](#) [LP221M250E1P3](#) [LP221M450E4P3](#) [LP222M063C7P3](#) [LP222M063E3P3](#)
[LP222M100H7P3](#) [LP222M200H9P3](#) [LP223M016E7P3](#) [LP223M025E4P3](#) [LP271M200A1P3](#) [LP271M200C3P3](#)
[LP271M250C3P3](#) [LP272M025C1P3](#) [LP272M050C1P3](#) [LP272M100H7P3](#) [LP272M100H9P3](#) [LP273M016H7P3](#)
[LP331M250E3P3](#) [LP331M450H5P3](#) [LP331M450H7P3](#) [LP331M450H9P3](#) [LP332M025A1P3](#) [LP332M025C1P3](#)
[LP332M050C5P3](#) [LP333M016H9P3](#) [LP391M250H3P3](#) [LP392M050C7P3](#) [LP470M400A1P3](#) [LP470M450C1P3](#)
[LP471M200E1P3](#) [LP471M200E5P3](#) [LP471M200H3P3](#) [LP471M250E7P3](#) [LP471M250H1P3](#) [LP471M450E9P3](#)
[LP471M450H9P3](#) [LP472M025C1P3](#) [LP560M450A1P3](#) [LP561M250H3P3](#) [LP562M016C1P3](#) [LP562M025C3P3](#)
[LP562M025E1P3](#) [LP562M035E3P3](#) [LP562M050H5P3](#) [LP681M200E5P3](#)