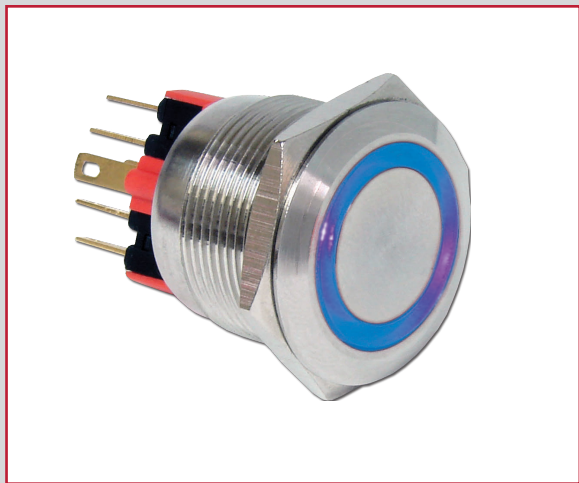
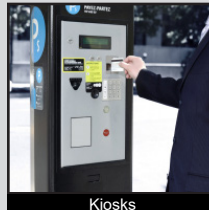


# PV7 SERIES ANTI-VANDAL SWITCH

ANTI-VANDAL SWITCHES  
DETECTOR SWITCHES  
DIP SWITCHES  
KEYLOCK SWITCHES  
NAVIGATION SWITCHES  
PUSHBUTTON SWITCHES  
ROCKER SWITCHES  
ROTARY SWITCHES  
SLIDE SWITCHES  
SNAP ACTION SWITCHES  
TACTILE SWITCHES  
TOGGLE SWITCHES  
CAP OPTIONS



## APPLICATIONS / MARKETS



**RoHS**

## SPECIFICATIONS

**Electrical Rating:** 2A, 48VDC  
**Electrical Life:** 50,000 Cycles  
**Contact Resistance:** 50mΩ Max.  
**Insulation Resistance:** 1000 MΩ Min. @ 500VDC  
**Dielectric Strength:** 2,000VAC  
**Operating/Storage Temperature:** -20°C to 55°C  
**Travel:** 2.20mm  
**Moisture Protection:** IP65  
**Contact Arrangement:** SPDT  
**Actuation Force:** 4 N  
**Panel Thickness:** 1-8mm for Y Function  
 1-12mm for T function  
**Mounting Nut Torque:** 5-14Nm

## FEATURES & BENEFITS

- 22mm diameter panel cutout
- RGB LED option
- Dot, ring or power symbol illumination available
- Multiple function options
- IP65 rated
- SPDT

## PART NUMBER CONFIGURATOR

Series	Actuator Options	Terminal Options	Function Options	Rating Options	Body Finish Options	Actuator Finish Options	Lens Style Options	LED-Color Options	Illumination Voltage Options	Graphic (Optional)
<input type="text" value="PV7"/>	<input type="text" value="F - Flat"/>	<input type="text" value="2 - Solder"/>	<input type="text" value="T - 1 Pole Off - On&lt;br/&gt;1 Pole On - Off&lt;br/&gt;Y - 1 Pole Off - (On)&lt;br/&gt;1 Pole On - (Off)"/>	<input type="text" value="0 - 2A,&lt;br/&gt;48VDC"/>	<input type="text" value="N - Nickel Plated&lt;br/&gt;S - Stainless Steel&lt;br/&gt;1 - Black Anodized"/>	<input type="text" value="N - Nickel Plated&lt;br/&gt;S - Stainless Steel&lt;br/&gt;1 - Black Anodized"/>	<input type="text" value="NONE - Non-Illuminated&lt;br/&gt;2 - Dot Illumination&lt;br/&gt;3 - Ring Illumination"/>	<input type="text" value="NONE - Non-Illuminated&lt;br/&gt;0 - White&lt;br/&gt;1 - Red&lt;br/&gt;2 - Orange&lt;br/&gt;3 - Green&lt;br/&gt;4 - Blue&lt;br/&gt;5 - Yellow&lt;br/&gt;F - Red/Orange&lt;br/&gt;G - Red/Green&lt;br/&gt;H - Red/Blue&lt;br/&gt;J - Red/Yellow&lt;br/&gt;K - Orange/Green&lt;br/&gt;L - Orange/Blue&lt;br/&gt;M - Orange/Yellow&lt;br/&gt;R - RGB LED"/>	<input type="text" value="1 - Base Voltage&lt;br/&gt;3 - 6V&lt;br/&gt;4 - 12V&lt;br/&gt;5 - 24V&lt;br/&gt;6 - 125V&lt;br/&gt;7 - 250V"/>	<input type="text" value="M01 - Power symbol (sm) laser etched&lt;br/&gt;M03 - Power symbol illuminated&lt;br/&gt;M16 - Power symbol (lg) laser etched"/>

NOTES:  
 \*() denotes function is momentary

Specifications subject to change without notice



**E-SWITCH®**

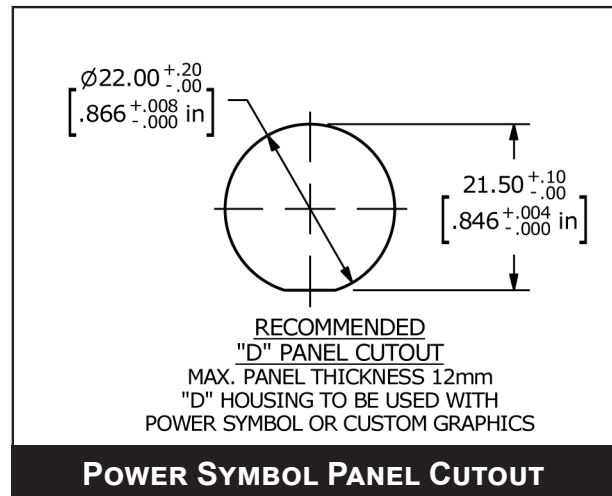
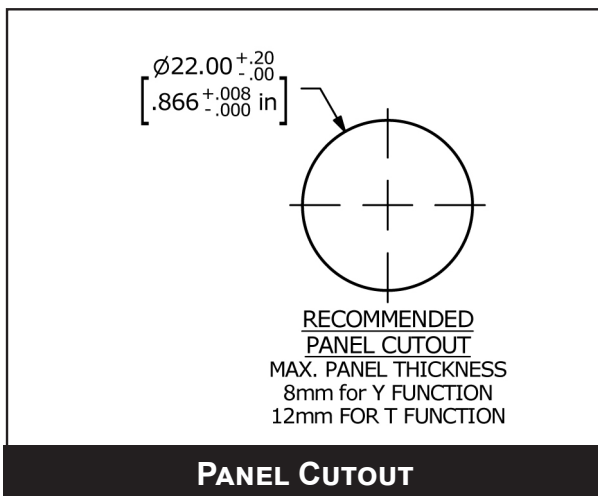
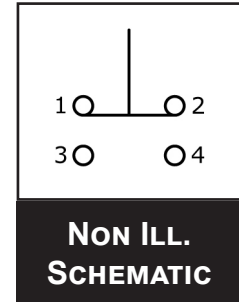
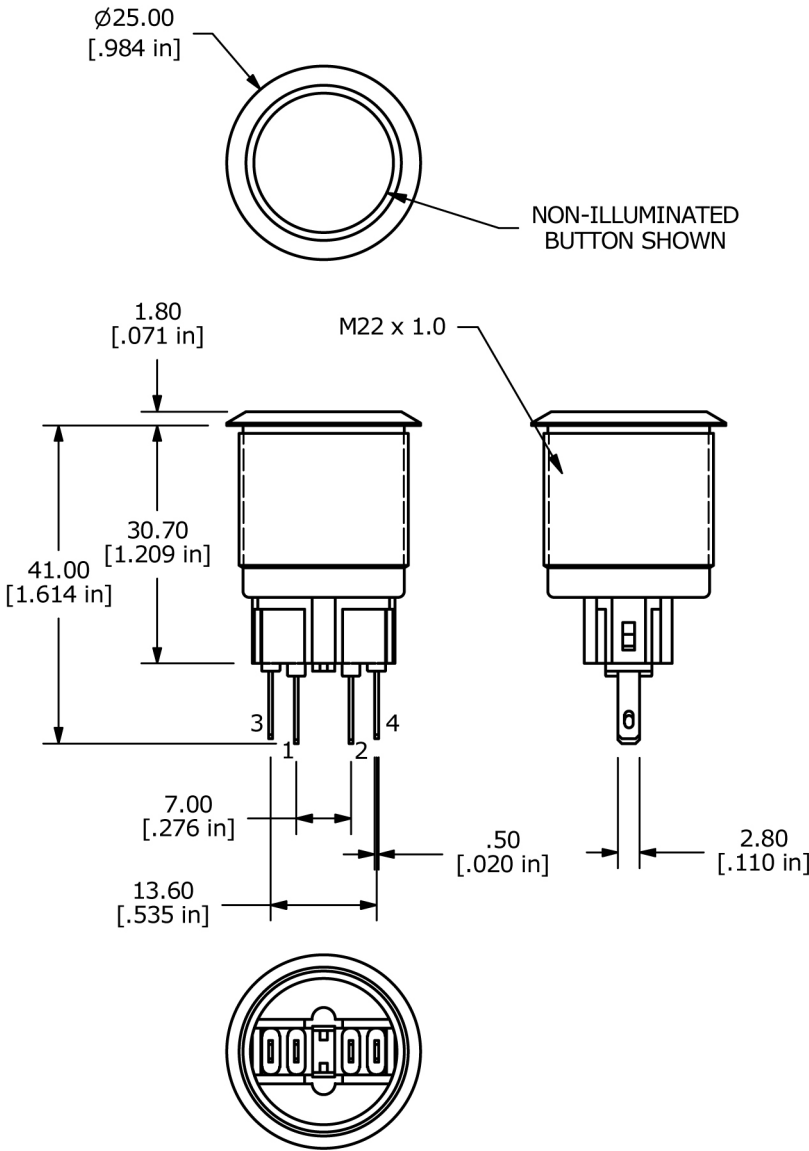
www.e-switch.com

800.867.2717

2

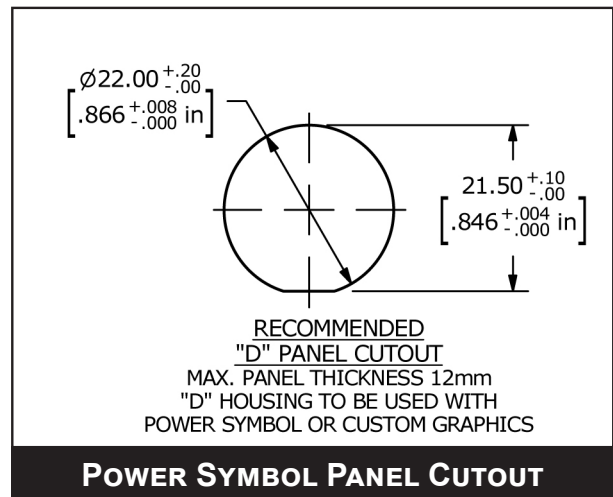
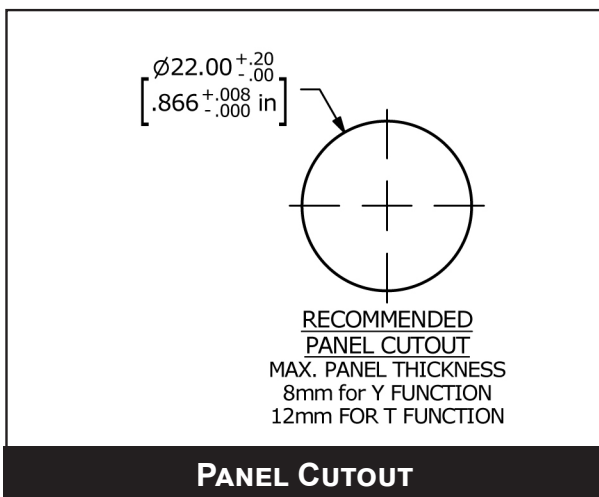
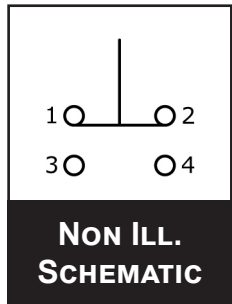
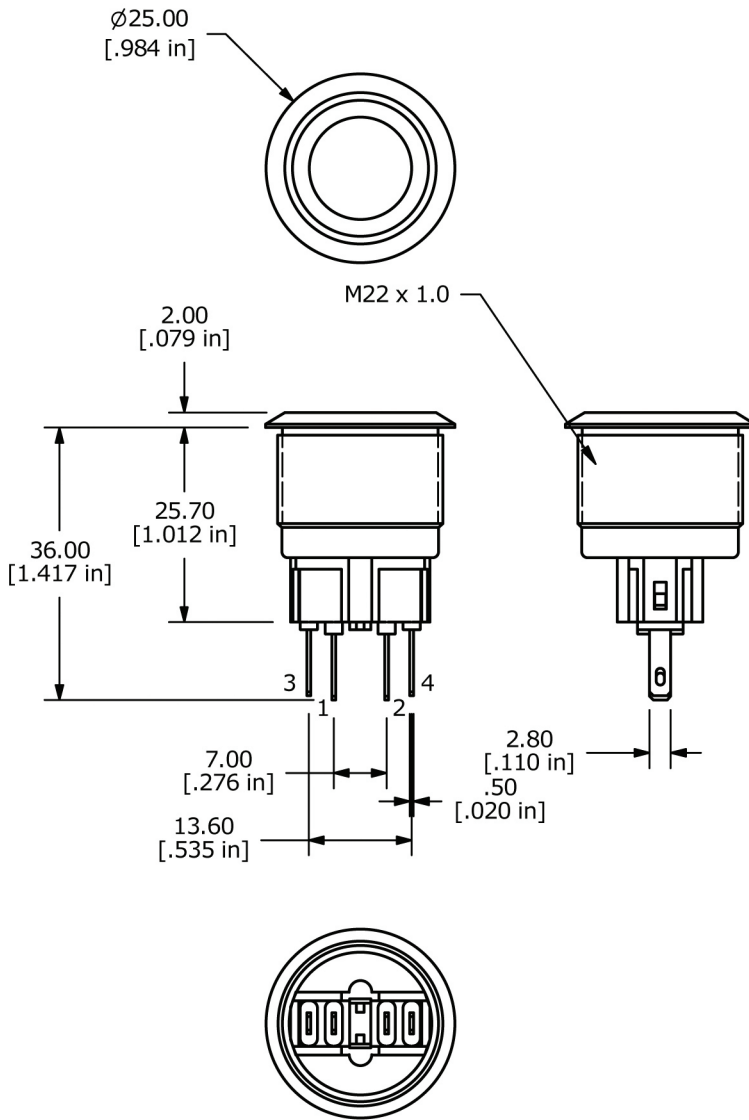
# PV7 SERIES ANTI-VANDAL SWITCH

## NON ILLUMINATED T FUNCTION



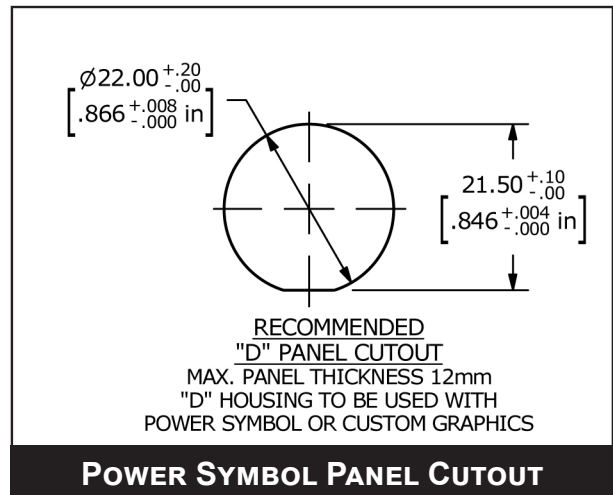
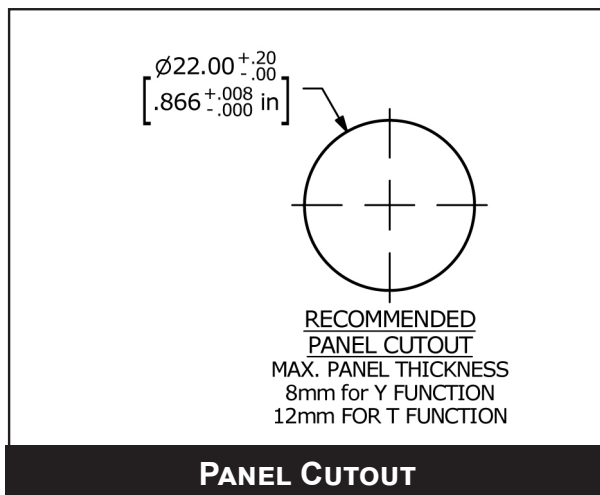
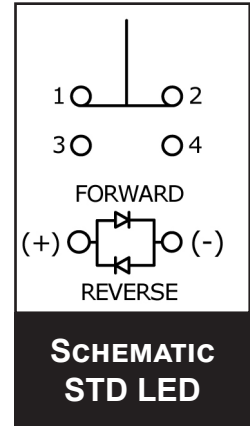
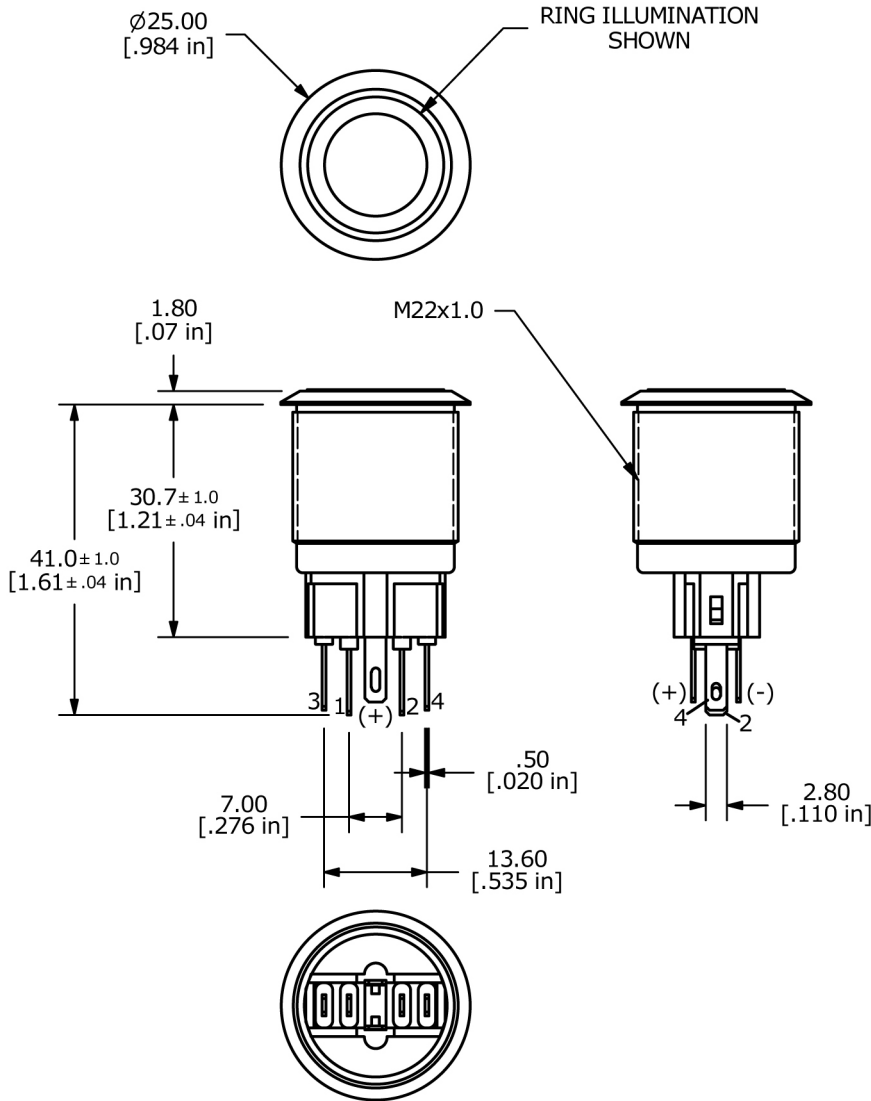
# PV7 SERIES ANTI-VANDAL SWITCH

## NON ILLUMINATED Y FUNCTION



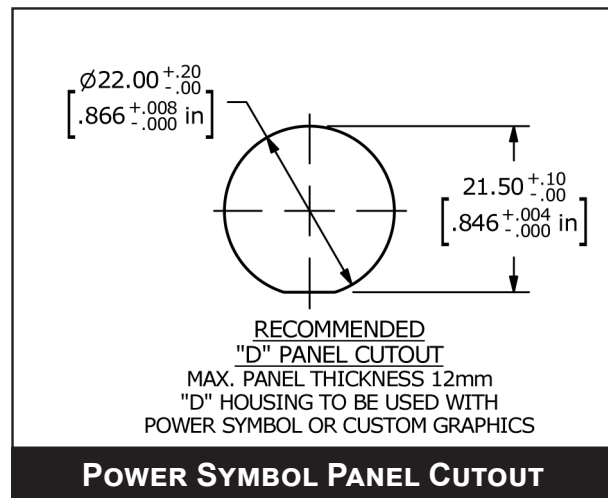
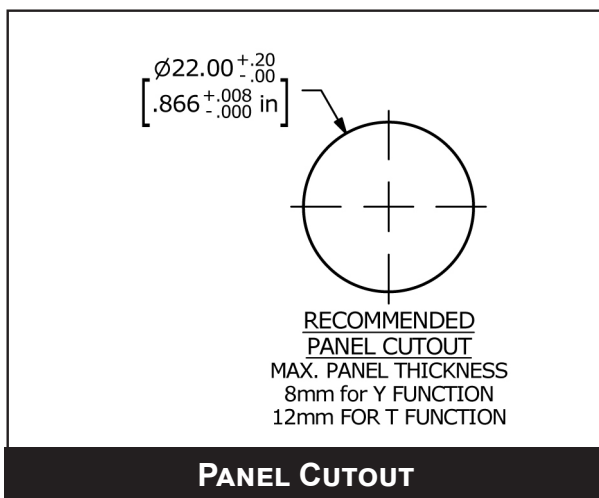
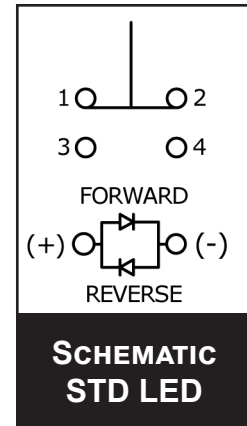
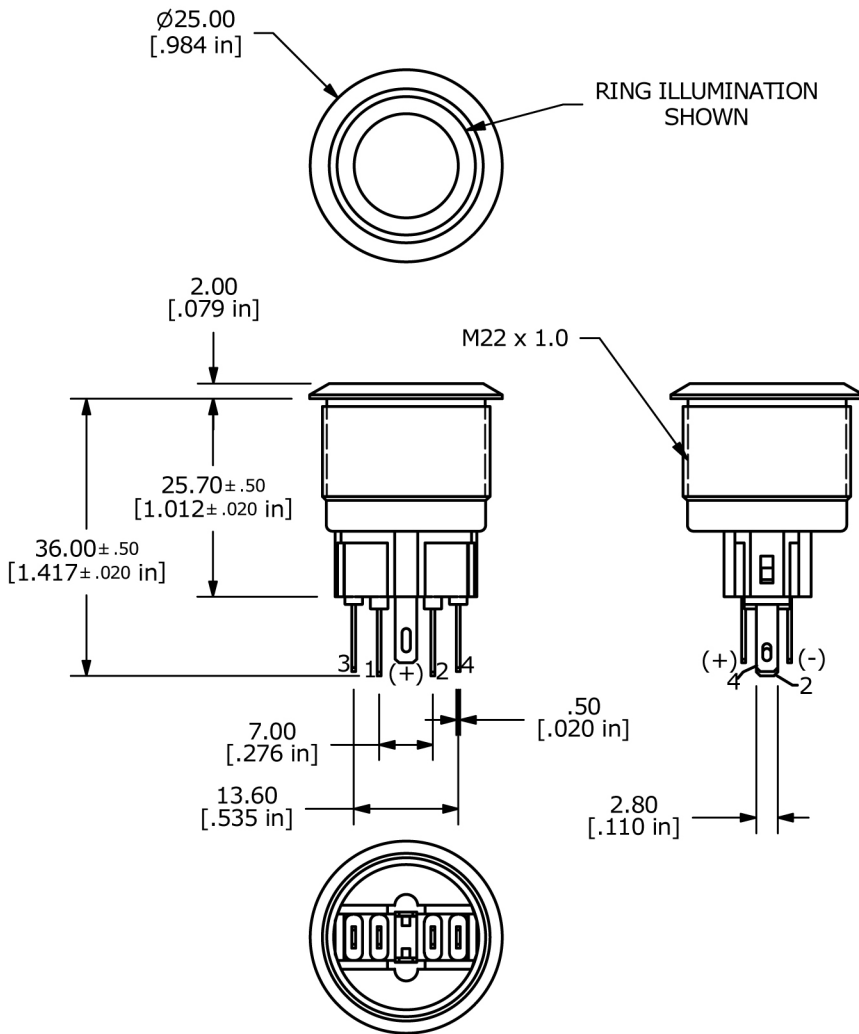
# PV7 SERIES ANTI-VANDAL SWITCH

## STANDARD LED T FUNCTION



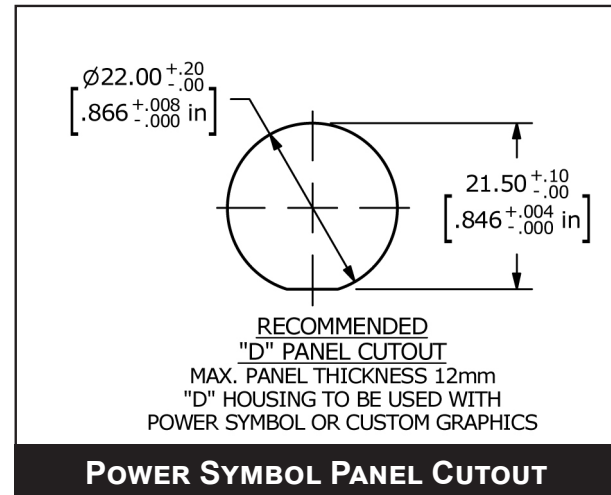
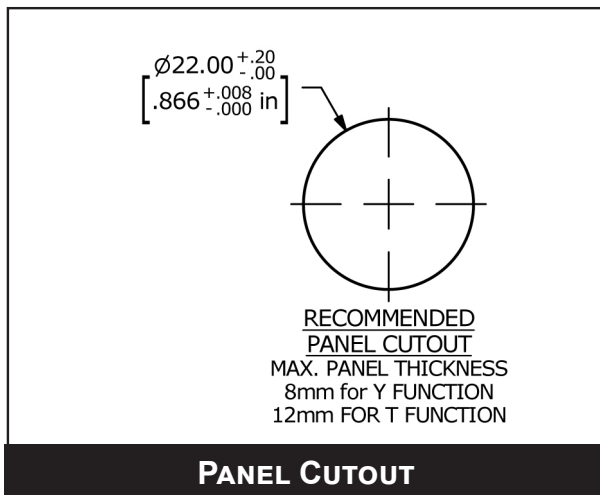
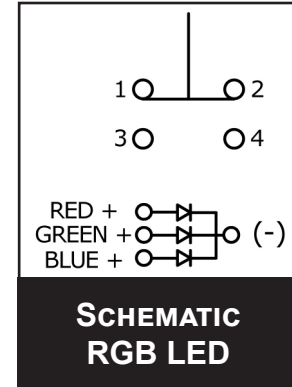
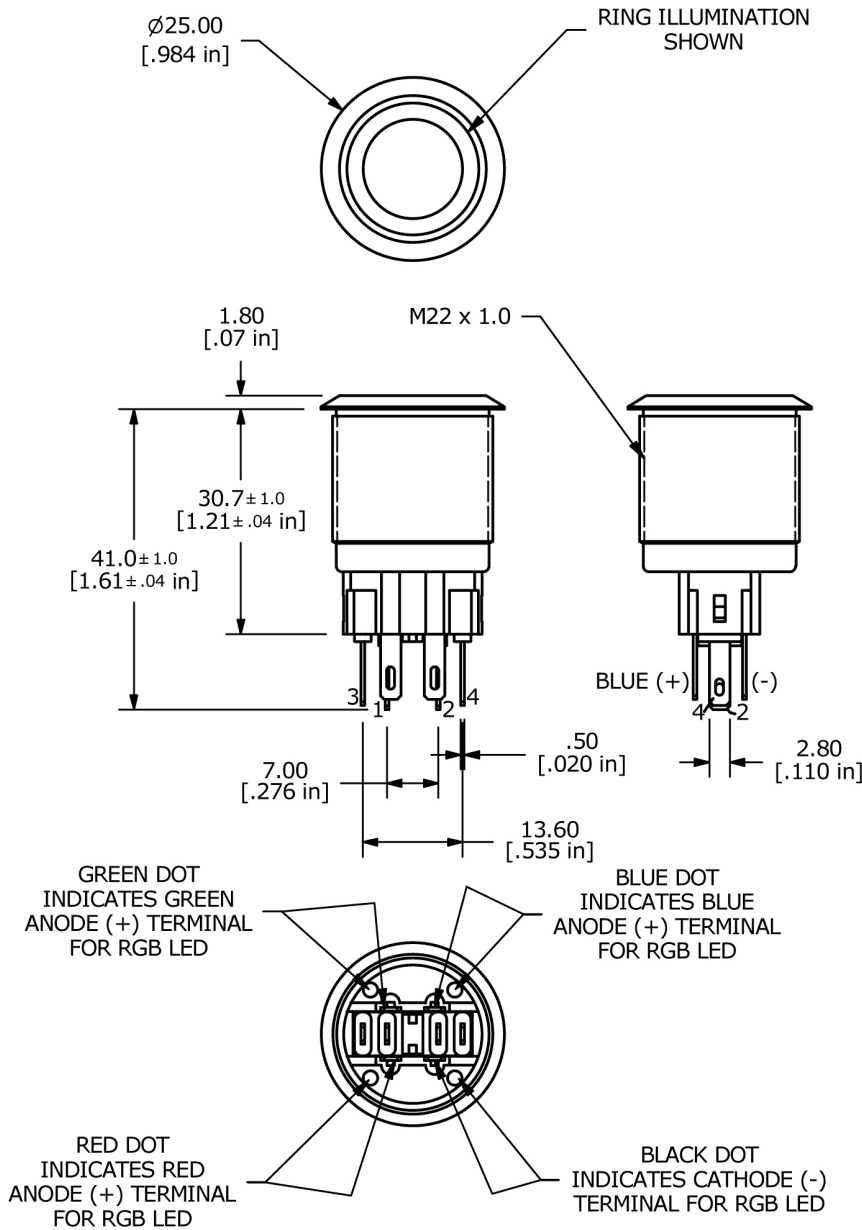
# PV7 SERIES ANTI-VANDAL SWITCH

## STANDARD LED Y FUNCTION



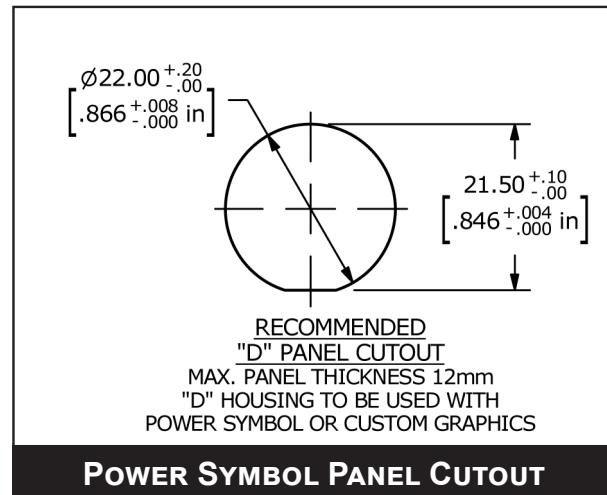
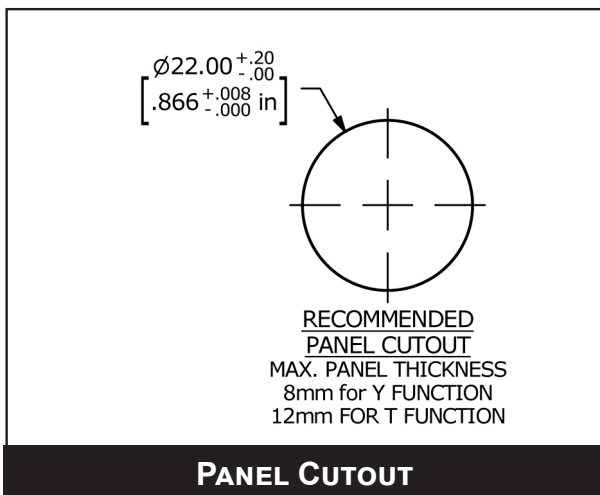
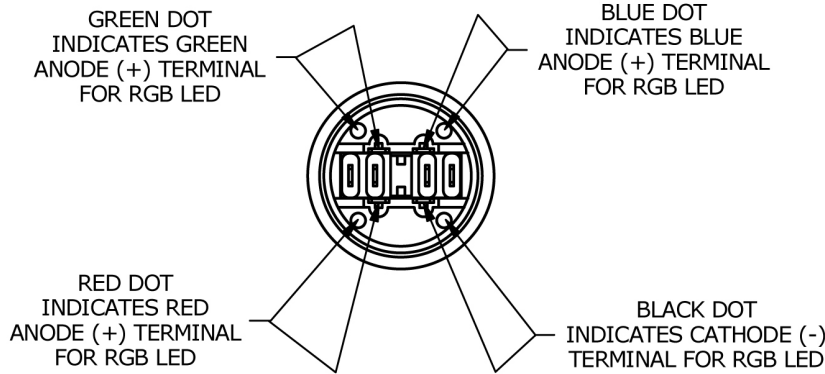
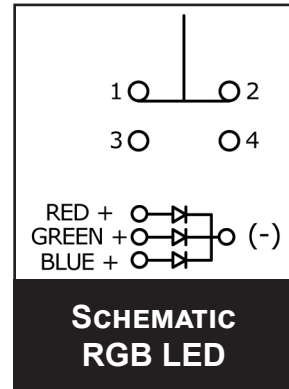
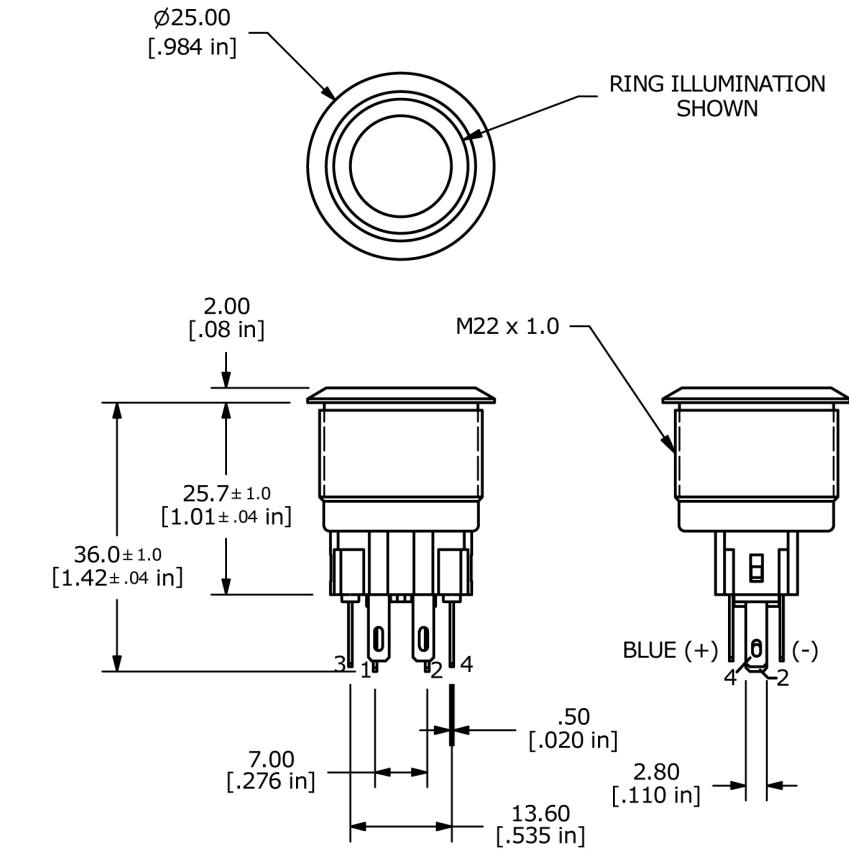
# PV7 SERIES ANTI-VANDAL SWITCH

## RGB LED T FUNCTION



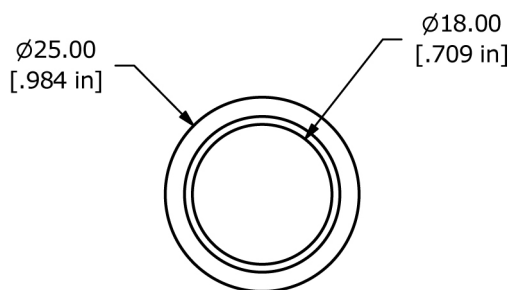
# PV7 SERIES ANTI-VANDAL SWITCH

## RGB LED Y FUNCTION

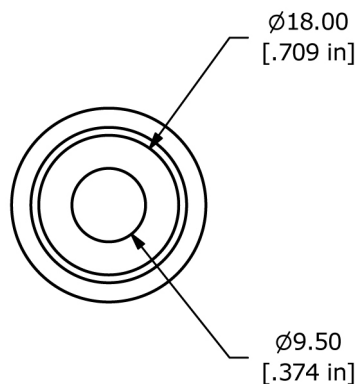


# PV7 SERIES ANTI-VANDAL SWITCH

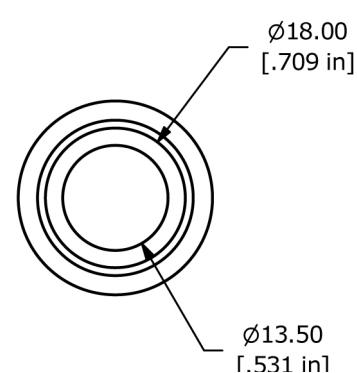
## ACTUATOR OPTIONS



FLAT NON-ILLUMINATED



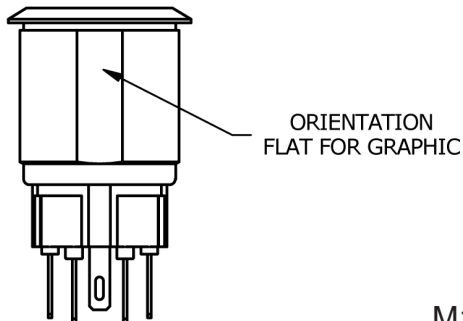
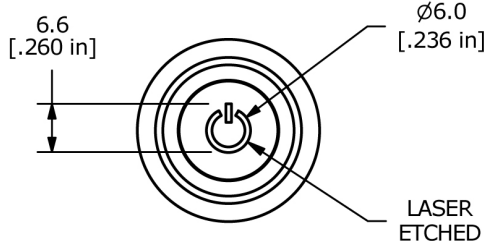
FLAT DOT ILLUMINATED



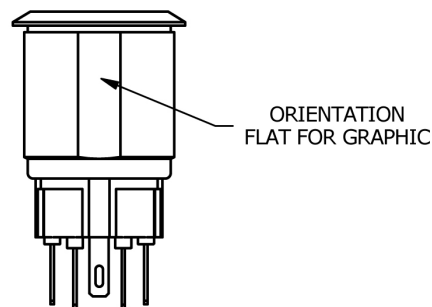
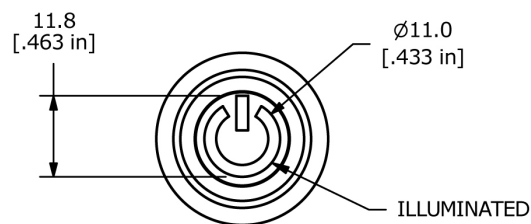
FLAT RING ILLUMINATED

## GRAPHIC OPTIONS

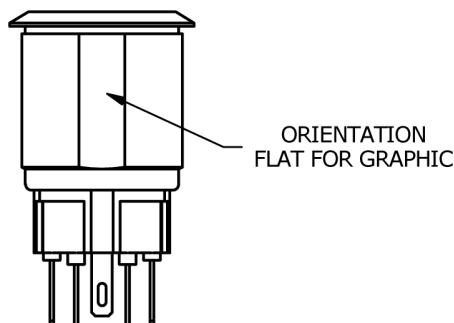
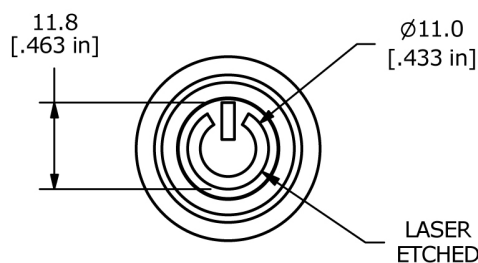
### M01 GRAPHIC



### M03 GRAPHIC



### M16 GRAPHIC



ANTI-VANDAL SWITCHES

DETECTOR SWITCHES

DIP SWITCHES

KEYLOCK SWITCHES

NAVIGATION SWITCHES

PUSHBUTTON SWITCHES

ROCKER SWITCHES

ROTARY SWITCHES

SLIDE SWITCHES

SNAP ACTION SWITCHES

TACTILE SWITCHES

TOGGLE SWITCHES

CAP OPTIONS





# Mouser Electronics

Authorized Distributor

Click to View Pricing, Inventory, Delivery & Lifecycle Information:

## E-Switch:

[PV7F2Y0SS-3Q1/ACC-N01-8](#) [PV7F2T0SS-324](#) [PV7F2Y0SS-231](#) [PV7F2Y0SS-315](#) [PV7F2Y0SS-324](#) [PV7F2Y0SS-325](#) [PV7F2Y0SS-335](#) [PV7F2Y0SS-344](#) [PV7F2Y0SS-354](#) [PV7F2Y0SS-355](#) [PV7F2Y0SS-311](#) [PV7F2T0SS-311](#) [PV7F2T0SS-341](#) [PV7F2T0SS-331](#) [PV7F2Y0SS-331](#) [PV7F2Y0SS-341](#) [PV7F2T0SS-344](#) [PV7F2Y0SS](#) [PV7F2Y0SS-241](#) [PV7F2Y0SS-351](#) [PV7F2Y0SS-3L4](#) [PV7F2Y0SS-3Q1](#) [PV7F2T0SS-231](#) [PV7F2T0SS-3G3](#) [PV7F2Y0SS-314](#) [PV7F2T0SS-316](#) [PV7F2T0SS](#) [PV7F2T0SS-325](#) [PV7F2T0SS-355](#) [PV7F2T0SS-314](#) [PV7F2T0SS-335](#) [PV7F2T0SS-345](#) [PV7F2T0SS-315](#) [PV7F2Y0SS-321](#) [PV7F2T0MM344M03](#) [PV7F2T011-311](#) [PV7F2Y011-311](#) [PV7F2T0SS-313](#) [PV7F2Y0SS-313](#) [PV7F2T0SS-301](#) [PV7F2Y0SS-343](#) [PV7F2Y0SS-3G4](#) [PV7F2Y011-3R3](#) [PV7F2Y0SS-3K1-M03](#) [PV7F2Y0SS-341-M03](#) [PV7F2Y0SS-333](#) [PV7F2Y0SS-344-M09](#) [PV7F2Y0SS-344-M10](#) [PV7F2Y011-345](#) [PV7F2Y0SS-3G1](#) [PV7F2Y0SS-3H1](#) [PV7F2T0SS-331-M03](#) [PV7F2T0SS-331-M01](#) [PV7F2T0SS-341-M18](#) [PV7F2T0NN-314](#) [PV7F2T0SS-333](#) [PV7F2Y0NN-3N1](#) [PV7F2T0SS-331-M18](#) [PV7F2T0SS-301-M16](#) [PV7F2T0SS-3G5](#) [PV7F2Y0SS-341-M01](#)