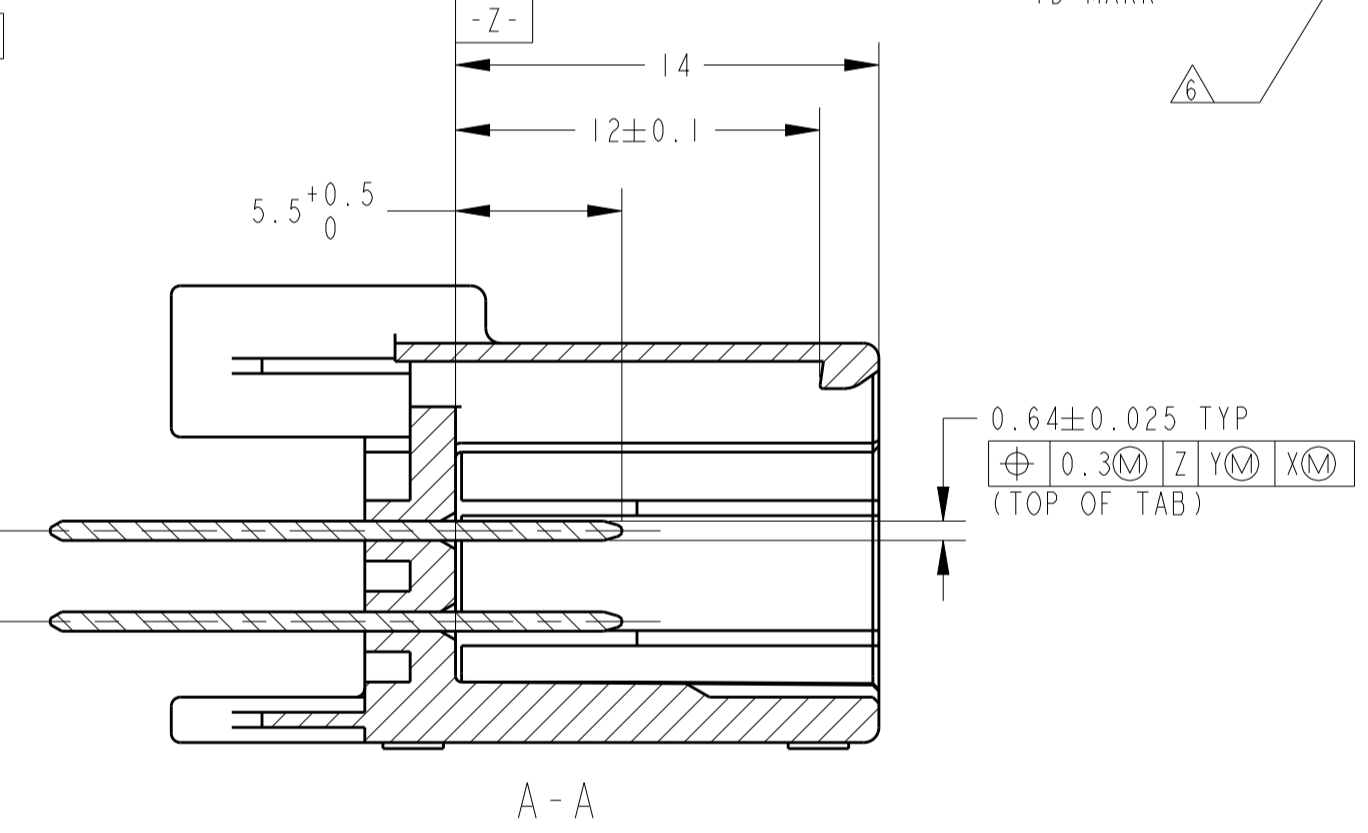
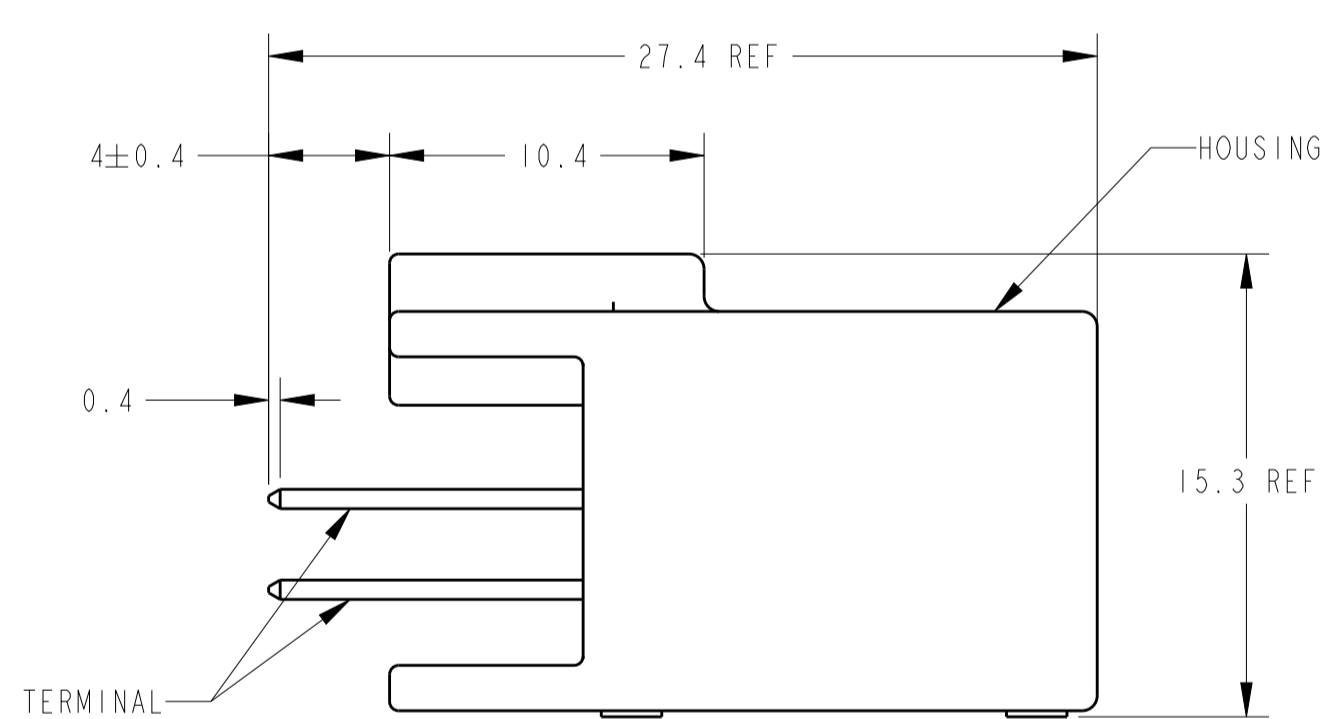
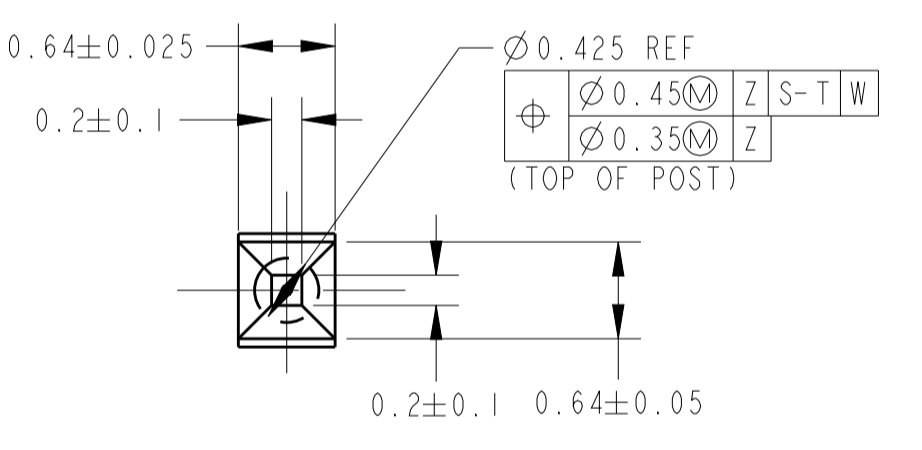
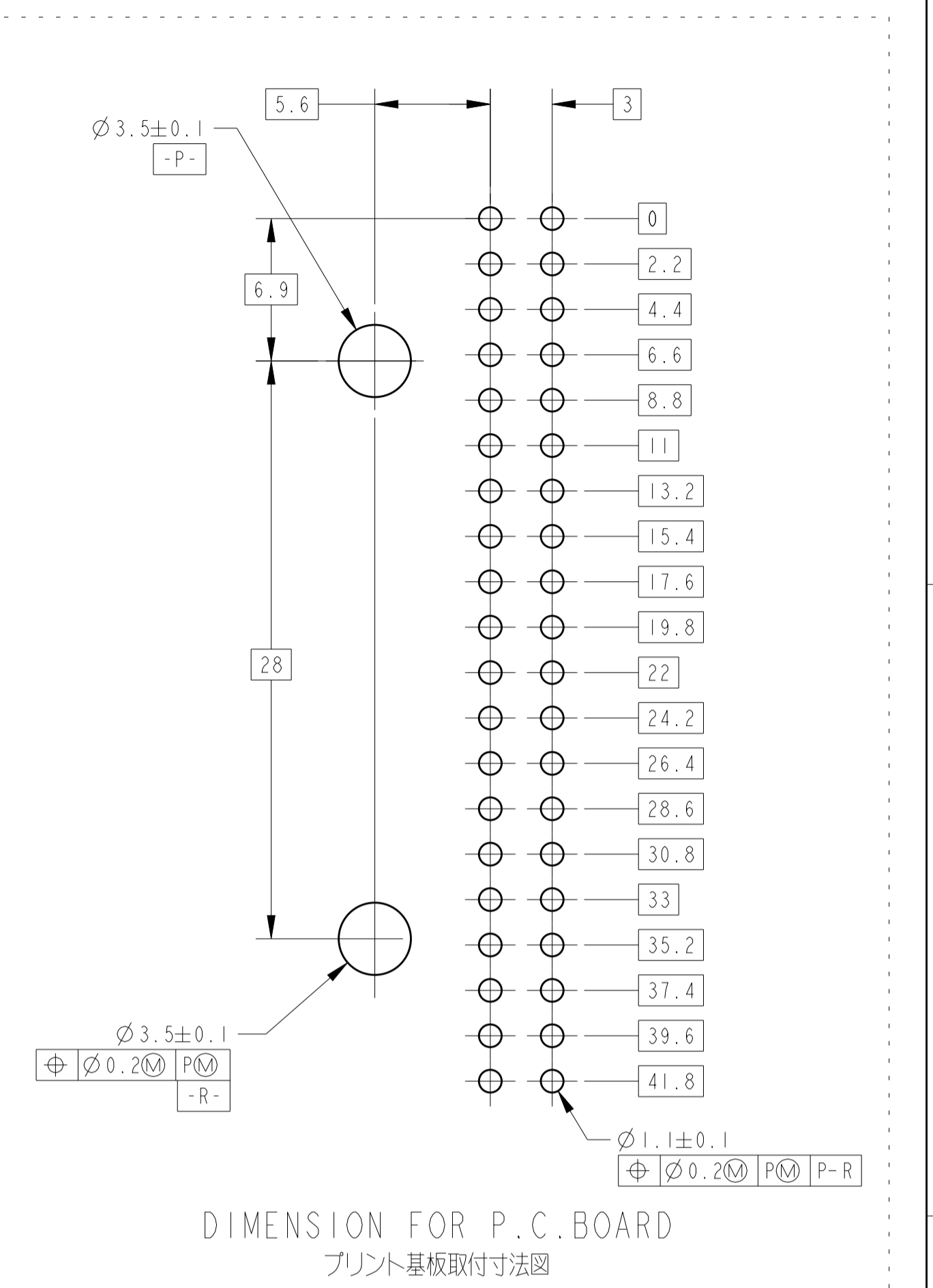
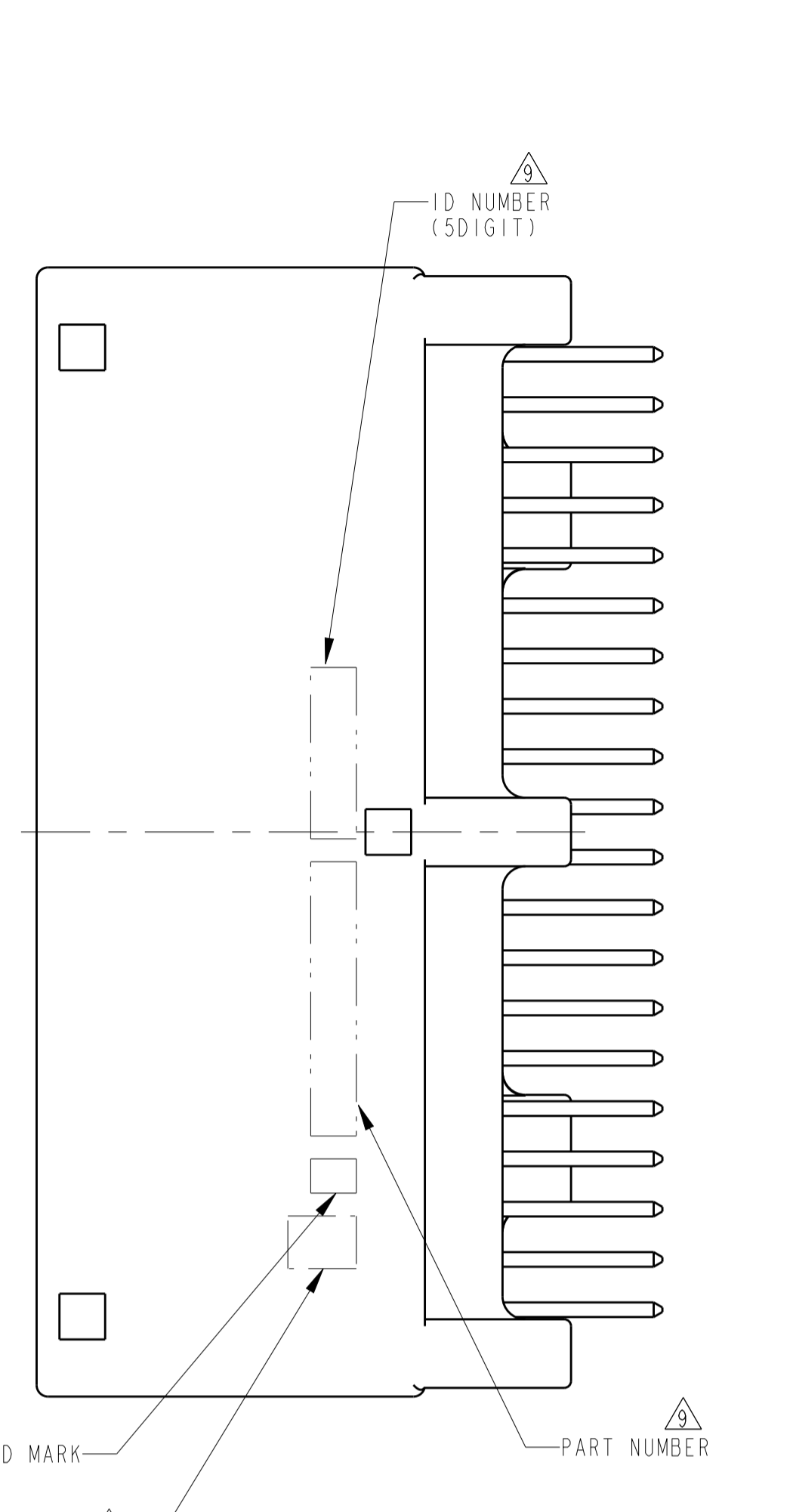
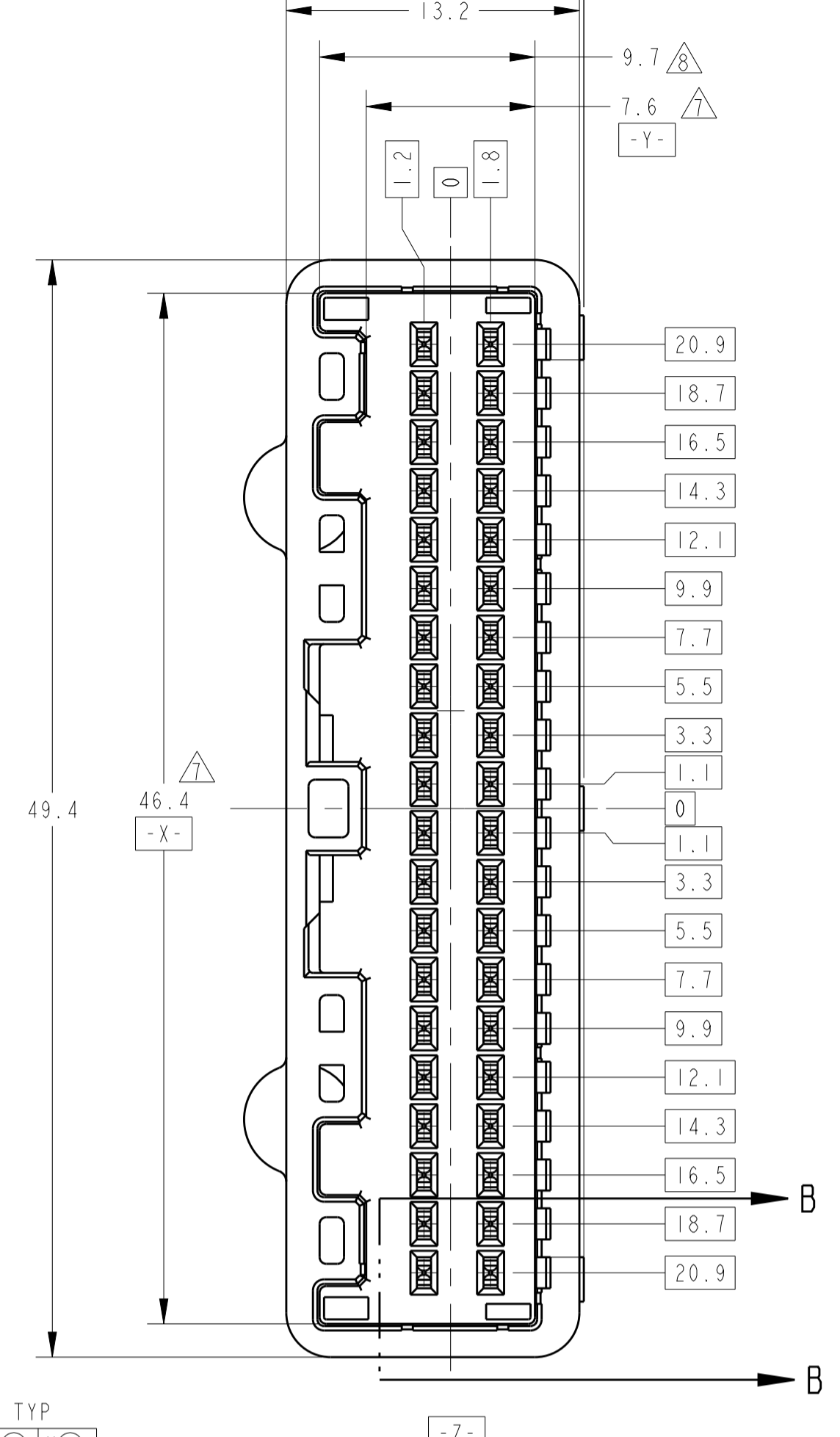
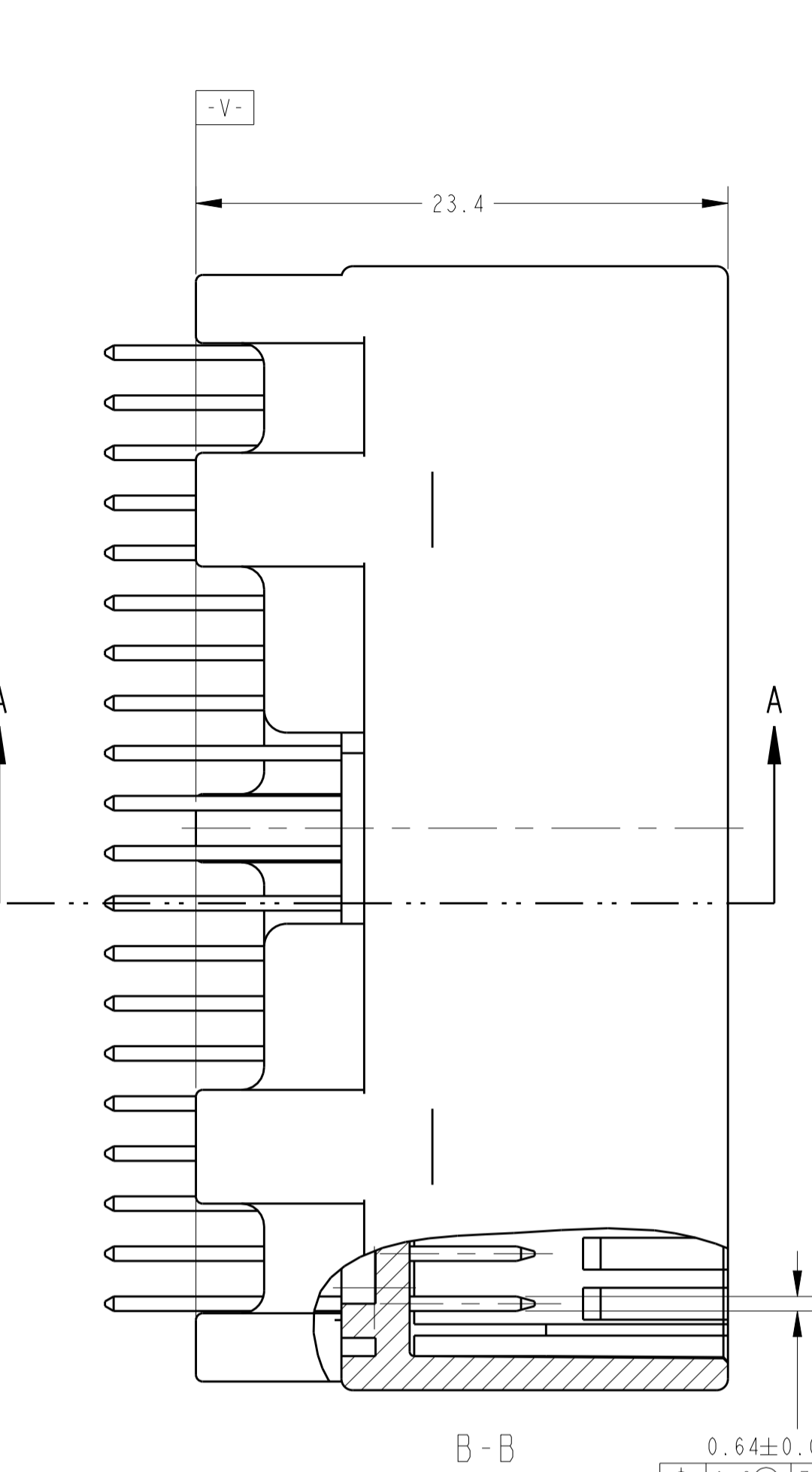
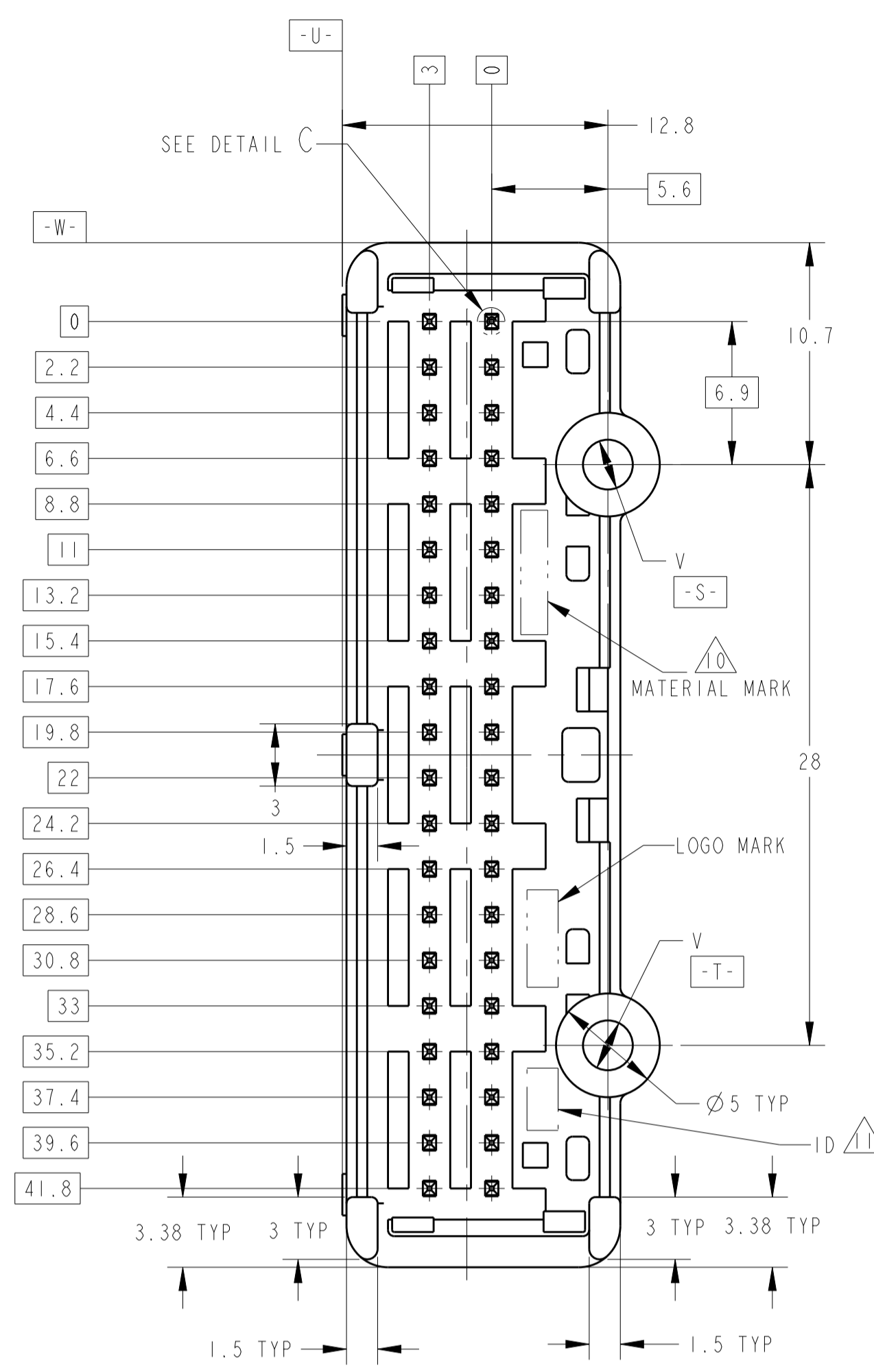


REVISONS		DATE	OWN	APVD
C3	REVISED PER ECO-11-005140	09APR11	RK	HMR
C4	REVISED PER ECO-15-012539	25AUG15	TM	KK



1. 適合相手ハウジング番号は、TABLE-1参照。
プラグハウジングアセンブリと支障なく嵌合すること。
 2. 推奨取付ねじ：JIS B1115, B1122 タッピングねじ
なべ2種、厚み径3、長さ：TABLE-3 参照
 3. ねじ締めトルク：0.392N・m 最大
 4. 取扱説明書No：411-5928
 5. 適用メス線径はTABLE-2 参照
- △、コンタクト仕上識別記号：表参照。
 △、-Z- 面から6mmの範囲で測定。
 △、-Z- 面から2mmの範囲で測定。
 △、型番1376113-8,-9,1-1,1-3,1-5にのみ印字される。
 △、材料マーク
 △、1-1376113-3のみ
1. MATING CONNECTOR PART NUMBER; SEE TABLE-1.
TO BE MATED SMOOTHLY WITH THE PLUG HOUSING ASSEMBLY.
 2. RECOMMENDED SCREW: PAN-HEADED,
TYPE 2 TAPPING SCREW OF DIA 3mm LENGTH: SEE TABLE-3
REFER TO JIS B1115, B1122
 3. FASTENING TORQUE FOR SCREW: 0.392N
 4. INSTRUCTION SHEET NO: 411-5928
 5. APPLIED TERMINAL: SEE TABLE-2.
- △. IDENTIFICATION MARK FOR THE CONTACT FINISH: SEE TABLE.
 △. MEASURED AT 6mm FROM -Z-
 △. MEASURED AT 2mm FROM -Z-
 △. MARKED ONLY ON THE PART NUMBER 1376113-8 AND 1376113-9,
 1-1376113-1, 1-1376113-3, 1-1376113-5.
 △. MATERIAL MARK
 △. 1-1376113-3 ONLY

TABLE-1

POS. 極数	TYPE	PLUG HOUSING PART No. プラグハウジング型番
40	CRIMP	1318389
40	IDC	1318691 1318695

TABLE-2

SIGNAL	TIN	TERMINAL No. 端子番号	APPLICABLE WIRE RANGE (FEMALE) 適用電線 (メス)
025		1123343-1	AVSS/CAVS/CAVUS 0.3~0.5mm ² AVSSH-f 0.3~0.5mm ²

TABLE-3

THICKNESS PF PCB (mm) フロント基板板厚 (mm)	1.2	1.6
NOMINAL LENGTH OF SCREW (mm) 固定用ネジ着下長さ (mm)	5	6

3	1	3	6	5	4	1	1	MARKING	MATERIAL MARK	WEIGHT (g) 質量	V	PACKING STYLE 梱包形態	CONTACT FINISH 接点仕上	HOUSING ハウジング	PART NUMBER 製品番号
>SPS-GF17<	>PBT-GF30<	>SPS-GF17<	>SPS-GF17<	>PBT-GF30<	>PBT-GF30<	>PBT-GF30<	>PBT-GF30<	△	△				SELECTIVE-TIN (MATTE)	SELECTIVE-TIN (BRIGHT)	1-1376113-5
													PRE-TIN x 40	PBT GF30	1-1376113-3
													SELECTIVE-TIN (MATTE)	SELECTIVE-TIN (BRIGHT)	1-1376113-1
													SELECTIVE-TIN (MATTE)	SELECTIVE GOLD	1376113-9
													SELECTIVE-TIN (MATTE)	SELECTIVE-TIN (BRIGHT)	1376113-8
SEE DWG 1376113-5															
													SELECTIVE-TIN (MATTE)	SELECTIVE TIN x 38 SELECTIVE GOLD x 2	1376113-6
SEE DWG 1376113-5															
													PRE-TIN x 40	PBT GF30	1376113-2
													PRE-TIN x 40	PBT GF30	1376113-1
													SOLDERING SIDE 半田付け部	CONTACT SIDE 接点側	

THIS DRAWING IS A CONTROLLED DOCUMENT. OWN: R. KOMIYAMA 22JUN00
 CHK: N. SAI 22JUN00
 APVD: N. SAI 22JUN00

DIMENSIONS: mm
 TOLERANCES UNLESS OTHERWISE SPECIFIED:
 0-PHOS ±0.3
 1-PLC ±
 2-PLC ±
 3-PLC ±
 4-PLC ±

MATERIAL CONTACT: BRASS HOUSING: SEE TABLE FINISH: SEE TABLE

PRODUCT SPEC 108-5668
 APPLICATION SPEC 114-5250
 WEIGHT: SEE TABLE

Customer Drawing

SIZE: A1 CAGE CODE: 00779 DRAWING NO: 1376113
 SHEET 1 OF 2 REV: C4

STE TE Connectivity
 025 SERIES 40P(PCB V-TYPE)
 CAP HSG ASSY

4

3

2

1

THIS DRAWING IS UNPUBLISHED.

RELEASED FOR PUBLICATION

© COPYRIGHT 2011

ALL RIGHTS RESERVED.

LOC
J

DIST
-

REVISIONS

変更

P	LTR	DESCRIPTION	DATE	DWN	APVD
-	-	SEE SHEET 1	-	-	-

49.4 REF
46.2 REF

15.8 REF
30.9 REF
PLUG HOUSING ASSEMBLY
CAP HOUSING ASSEMBLY

CAP ASSEMBLY & PLUG ASSEMBLY ENGAGEMENT DRAWING
キャップアッセンブリ & プラグアッセンブリ 嵌合図

THIS DRAWING IS A CONTROLLED DOCUMENT.

DIMENSIONS:
単位: ㎜

TOLERANCES UNLESS OTHERWISE SPECIFIED:

一般公差	±
0 PLC	±0.1
1 PLC	±0.01
2 PLC	±0.01
3 PLC	±0.001
4 PLC	±0.000J
ANGLES	±1.00'

MATERIAL

-

FINISH

-

DWN

-

CHK

-

APVD

-

PRODUCT SPEC

製品規格

SEE 1 OF 2

APPLICATION SPEC

取付適用規格

SEE 1 OF 2

WEIGHT

SEE 1 OF 2

TE Connectivity

NAME

名称

025 SERIES 40P(PCB V-TYPE)
CAP HSG ASSY

SIZE

A3

CAGE CODE

00779

DRAWING NO

番号

1376113

RESTRICTED TO

-

Customer Drawing

SCALE

尺度

4:1

SHEET

2 OF 2

REV

C4

1470-19 (3/11)

Mouser Electronics

Authorized Distributor

Click to View Pricing, Inventory, Delivery & Lifecycle Information:

[TE Connectivity:](#)

[1376113-2](#)