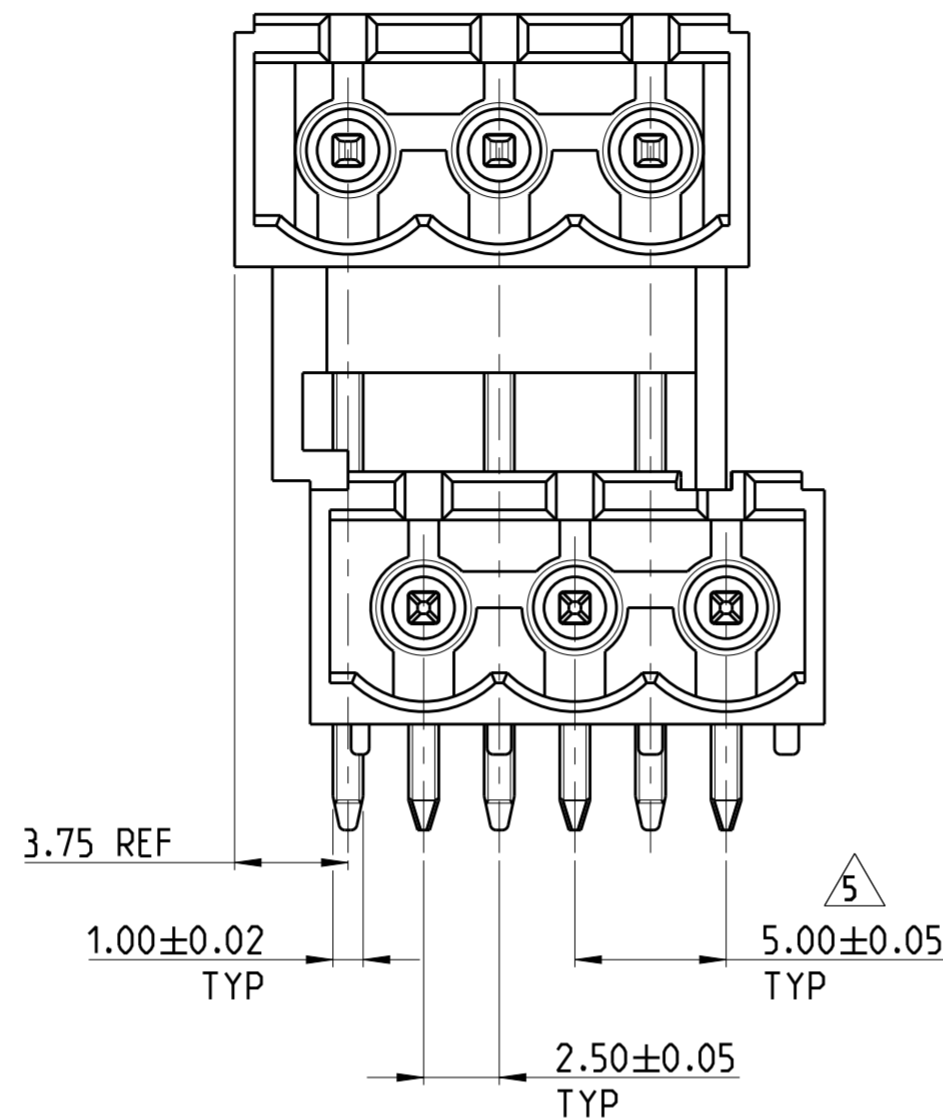
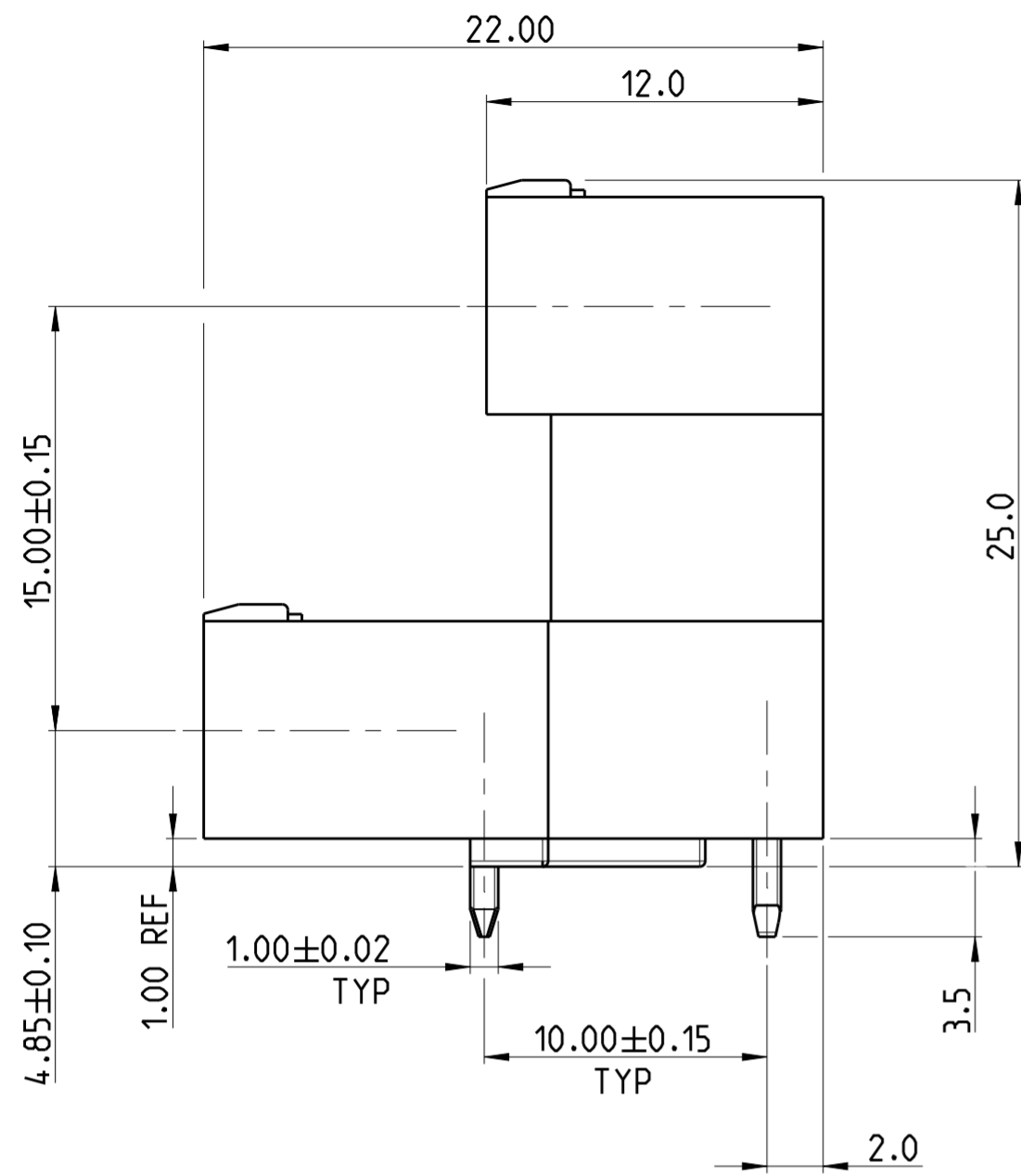


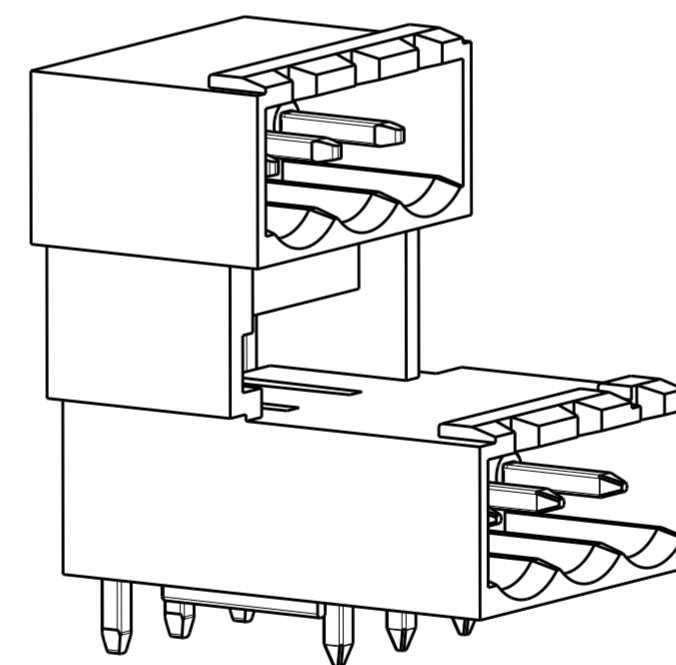
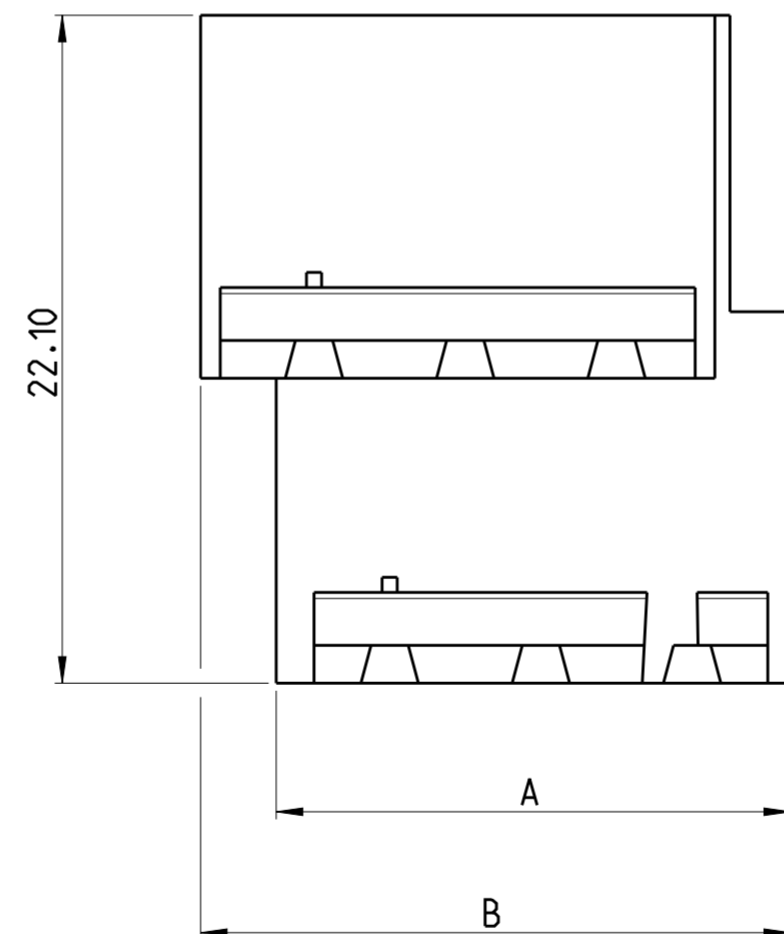
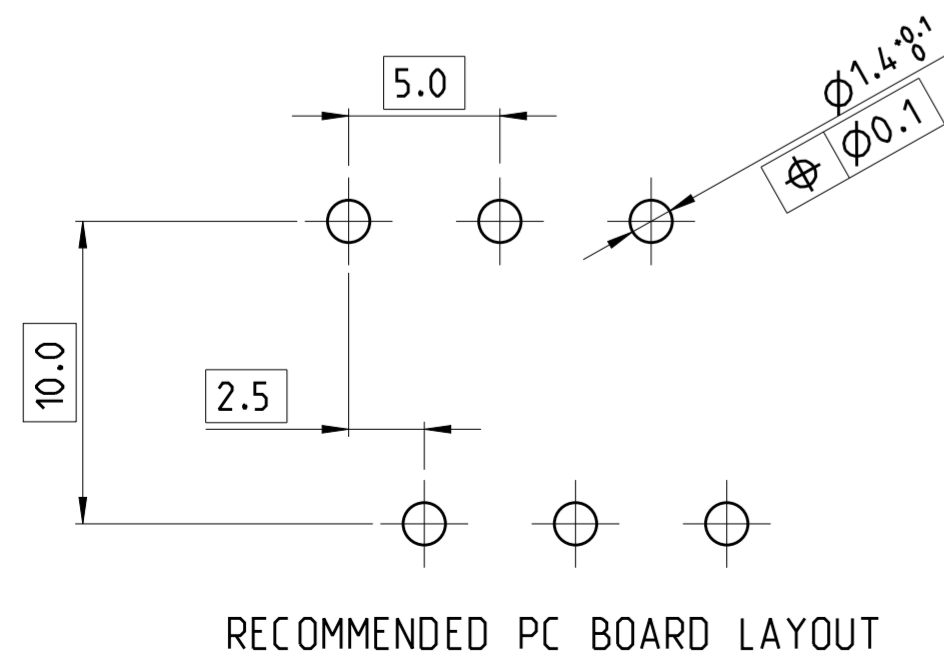
THIS DRAWING IS UNPUBLISHED. RELEASED FOR PUBLICATION 20
 © COPYRIGHT 20 BY - ALL RIGHTS RESERVED.

LOC		DIST		REVISIONS			
P	LTR	DESCRIPTION	DATE	DWN	APVD		
FT	0						
	P1	REVISED PER ECO-12-007714	25APR2012	KH	MS		
	P2	STANDOFF DIMENSIONS OF 1mm SHOWN IN C4	11APR2016	FP	NG		



NOTES

- MATERIALS AND FINISH**
 HOUSING : HIGH TEMPERATURE POLYAMIDE, UL 94V-0 RATED, COLOR: BLACK.
 TERMINAL : COPPER ALLOY, TIN PLATED.
- MECHANICAL**
 MAX. INSERTION FORCE PER HOLE : 3N
 MIN. WITHDRAWAL FORCE PER HOLE : 1.5N
 PCB THICKNESS : MAX 2.4 mm
- ELECTRICAL**
 WIRE RANGE : 30 - 12 AWG
 MAX. VOLTAGE : 300 V
 MAX CURRENT : 15 A
 CONTACT RESISTANCE : < 15 m Ohm
 INSULATION RESISTANCE : > 1000 M Ohm (500V DC)
- OPERATING TEMPERATURE RANGE: -40 °C TO +110 °C**
- TOLERANCE NOT CUMULATIVE.**
- P/Ns FROM 1776166-4 TO 1776166-8 ARE OBTAINED BY ASSEMBLING 1776166-2 AND 1776166-3 TO ACHIEVE THE DESIRED NUMBER OF POSITIONS.**



1776166-3 AS SHOWN

44.5	42.0	8	1776166-8
39.5	37.0	7	1776166-7
34.5	32.0	6	1776166-6
29.5	27.0	5	1776166-5
24.5	22.0	4	1776166-4
19.5	17.0	3	1776166-3
14.5	12.0	2	1776166-2
B	A	NO OF POSN	PART NUMBER

DIMENSIONS:		TOLERANCES UNLESS OTHERWISE SPECIFIED:		DWN		CHK		APVD		NAME	
mm		0 PLC	±	S. WELDON	19 JUL 2005	C. RICHARD		19 JUL 2005		C. RICHARD	
SEE NOTES		1 PLC	±0.3	PRODUCT SPEC		APPLICATION SPEC		WEIGHT		RESTRICTED TO	
SEE NOTES		2 PLC	±0.25	CUSTOMER DRAWING		SCALE		SHEET		REV	
SEE NOTES		3 PLC	±	SCALE 4:1		SHEET 1 OF 1		REV P2			
SEE NOTES		4 PLC	±								
SEE NOTES		ANGLES	±2°								
SEE NOTES		FINISH									

STE TE Connectivity

TERMINAL BLOCK HEADER ASSEMBLY, MULTIPLE, 90 DEGREE, CLOSED ENDS, 5.00mm PITCH

SIZE: A2 CAGE CODE: 00779 DRAWING NO: C-1776166

Mouser Electronics

Authorized Distributor

Click to View Pricing, Inventory, Delivery & Lifecycle Information:

[TE Connectivity:](#)

[1776166-2](#)