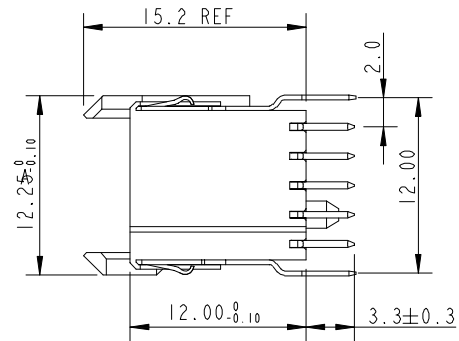
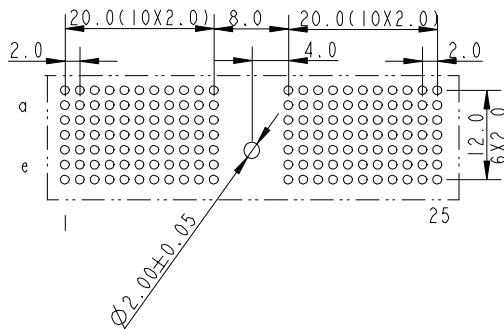
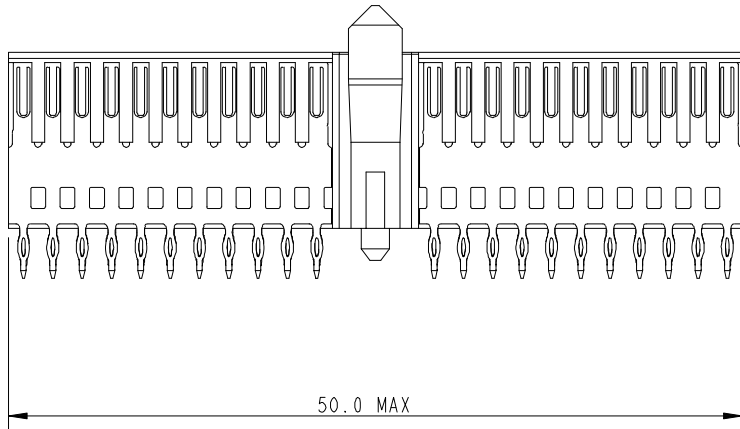
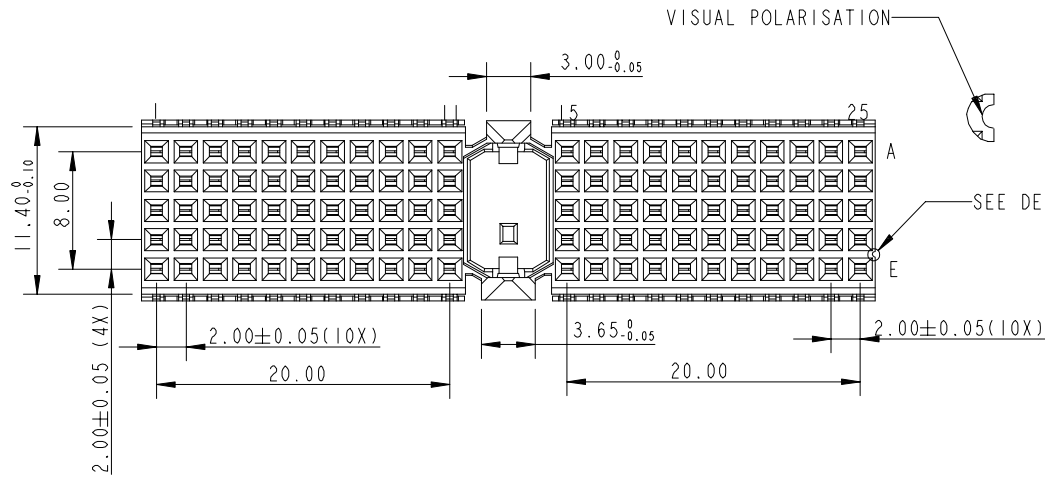


Tous droits strictement réservés. Reproduction ou communication à des tiers interdite sous quelque forme que ce soit sans autorisation écrite du propriétaire. Propriété de c FCI. Droits de reproduction FCI.



All rights strictly reserved. Reproduction or issue to third parties in any form whatever is not permitted without written authority from the proprietor. Property of FCI. Copyright FCI.



PERFORMANCE CHARACTERISTICS

CURRENT RATING 1.5A AT 20°C (FULLY LOADED)
 1 A AT 70°C (FULLY LOADED)
 RATED VOLTAGE : 500 V AC (CONT /CONT)
 OPERATING TEMPERATURE : -55°C TO 125°C
 CONTACT RESISTANCE 20 mΩ MAX
 INSERTION FORCE : 0.75N MAX/CONT
 EXTRACTION FORCE : 0.15N MIN/CONT
 INSULATION RESISTANCE : 10⁴ MΩ MIN

NOTES 1. " " LEAD FREE INDICATOR : LF=LEAD FREE

- PERFORMANCE LEVEL INDICATOR (REF DWG NO. BSC 201844.003)
- THIS PRODUCT IS CSA APPROVED. THIS PRODUCT IS UL RECOGNIZED.
 - FOR RECOMMENDED PTH DIMENSIONS REFER DRAWING : BS.A.201572.001
 - THIS PRODUCT (LF) MEETS EUROPEAN UNION DIRECTIVES AND OTHER COUNTRY REGULATIONS AS DESCRIBED IN GS-22-008

rev	ecn no	dr	date
A	CONVERSION REVISION 00	KN	14-09-01
B	DG05-0278	Kason	02-08-05
C	DG10-0110	NZ	2010.9.3
-	-	-	-
-	-	-	-
-	-	-	-

Material		Spec ref	
Mat code		tolerance	projection
Heat treat	✓	1 DEC±0.2 1 DEC 2 DEC±0.1 2 DEC ANGLES±1° HOEKEN	MM
Plating/Finish		size A4	Scale 2.000
Dr W.Panis	27-01-95	Product family MILLIPACS	ECN
Eng		Model Name	REL Level
Chr		Model Revision	
Appr			
FCI	title MILLIPACS 2/TYPE A/SHIELDED	dwg no BSC201907004	Rev. C
Pro/E file	catalog no HM2S01PE5101----	CUSTOMER DRAWING	sheet 1 of 1

Mouser Electronics

Authorized Distributor

Click to View Pricing, Inventory, Delivery & Lifecycle Information:

[FCI / Amphenol:](#)

[HM2S01PE5101N9LF](#)