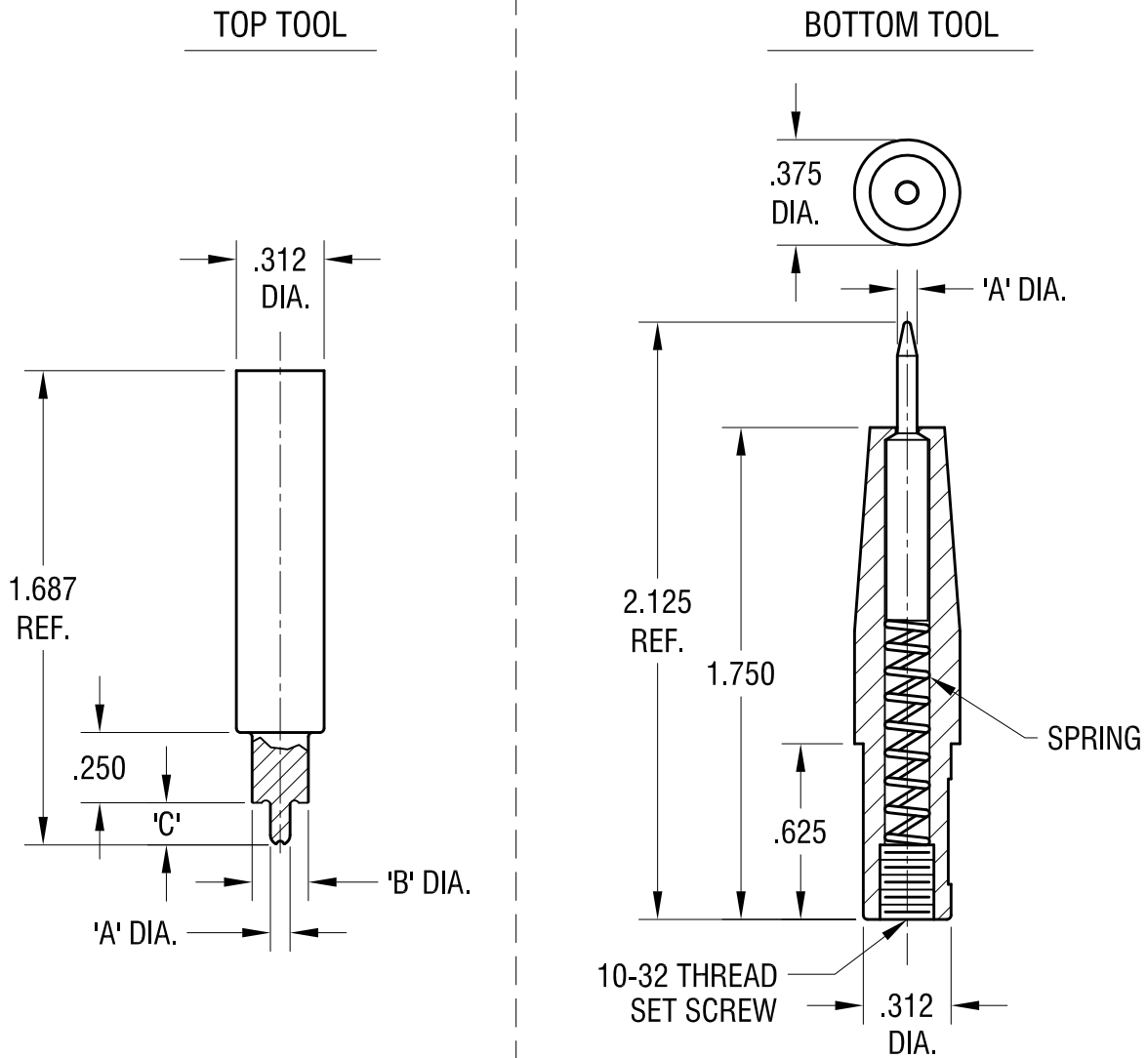


THIS DOCUMENT IS THE PROPERTY OF KEYSTONE ELECTRONICS CORP. AND SHALL NOT BE REPRODUCED, DISTRIBUTED OR USED AS A BASIS FOR MANUFACTURE WITHOUT PRIOR WRITTEN PERMISSION FROM KEYSTONE ELECTRONICS CORP.



PART NO.	'A' DIA.	'B' DIA.	'C' DIM.	FOR EYELET
3075	.043 [1.09]	.150 [3.18]	.125 [3.18]	.062 [1.57]
3076	.070 [1.78]	.150 [3.18]	.150 [3.18]	.093 [2.36]
3077	.098 [2.49]	.200 [5.08]	.187 [4.75]	.125 [3.18]

### KEYSTONE ELECTRONICS CORP.

ASTORIA, N.Y. 11105-2017

PART NAME

TOP & BOTTOM EYELET STAKING TOOL

MATERIAL

DRILL ROD

FINISH

-

DRN BY

BOONE

DATE

5.26.04

APP'D

LN

SCALE

1.5X

TOLERANCES INCH [MM]

DECIMAL  $\pm .010$  [ $\pm$  ]

ANGULAR  $\pm 1^\circ$   
UNLESS OTHERWISE SPECIFIED

CODE

C/M

DWG NO.

3075-3077

DATE

DESCRIPTION

REV.

# Mouser Electronics

Authorized Distributor

Click to View Pricing, Inventory, Delivery & Lifecycle Information:

[Keystone Electronics:](#)

[3075](#)