

- MATERIAL:  
HOUSING: GLASS FILLED POLYESTER; COLOR: BLACK.  
CONTACT: HIGH CONDUCTIVITY COPPER ALLOY  
LATCH: GLASS FILLED POLYESTER, COLOR: (SEE TABLE)
- FINISH:  
0.00038[.000015] GOLD PLATE IN CONTACT AREA,  
0.00254[.000100] MIN MATTE TIN ON SOLDER POSTS, ALL  
OVER 0.00127[.000050] MIN NICKEL
- FINISH:  
0.00076[.000030] GOLD PLATE IN CONTACT AREA,  
0.00254[.000100] MIN MATTE TIN ON SOLDER POSTS, ALL  
OVER 0.00127[.000050] MIN NICKEL
- AMP LOGO, TE PART NUMBER, DATE CODE AND CSA LOGO INK  
STAMPED WHITE (HOT STAMPED OR LAZER PRINTED) IN THE APPROXIMATE  
AREA SHOWN, EITHER SIDE PERMISSABLE, WHEN HOUSING SIZE PERMITS
- DATUMS AND BASIC DIMENSIONS ESTABLISHED BY CUSTOMER
- CONNECTORS SHOWN ARE USED IN APPLICATIONS WITH VRM MODULES WEIGHING  
3 OUNCES OR LESS. ALTERNATE CONNECTOR AND LATCH METHOD IS AVAILABLE FOR  
VRM MODULES WEIGHING UP TO 6 OUNCES.
- CAUTION:** LATCHES ARE INTENDED FOR RETENTION OF PC BOARD TO CONNECTOR.  
DO NOT ATTEMPT TO FULLY EJECT PC BOARD FROM CONNECTOR WHILE DISENGAGING  
LATCHES. DAMAGE TO LATCHES AND OR CONNECTOR MAY OCCUR
- OBSOLETE PARTS: OBSOLETE CIS STREAMLINING PER D.RENAUD/D.SINISI

Ⓜ PART IN SHEET 2

Ⓜ OBSOLETE  
Ⓜ OBSOLETE

WHITE	4.70	[.185]	-	-	-	-	-	-	-	-	2,3, 29,30, 33,34, 60,61	NONE	NONE	-	31	6489930-8		
BLACK	3.18	[.125]	11	3	31.57	[1.243]	29.22	[1.150]	18	11.25	[.443]	8.89	[.350]	4,5 & 12,13	6	-	31	6489930-7
WHITE	4.75	[.187]	-	-	-	-	-	-	-	-	2,3, 29,30, 33,34, 60,61	NONE	NONE	-	-	31	6489930-6	
WHITE	3.18	[.125]	9	-	26.49	[1.043]	24.13	[.950]	20	-	-	2,3, 29,30, 33,34, 60,61	10, 11	57	10.0 +12v	31	6489930-5	
WHITE	3.18	[.125]	-	-	-	-	-	-	-	-	2,3, 29,30, 33,34, 60,61	NONE	NONE	-	-	31	6489930-4	
WHITE	3.18	[.125]	8	2	23.95	[.943]	21.59	[.850]	21	8.71	[.343]	6.35	[.250]	3,4 & 9,10	57	-	31	6489930-3
BLACK	3.18	[.125]	9	-	26.49	[1.043]	24.13	[.950]	20	-	-	2,3, 29,30, 33,34, 60,61	10,11	57	10.0 +12v	31	6489930-2	
BLACK	3.18	[.125]	9	4	26.49	[1.043]	24.13	[.950]	20	13.79	[.543]	11.43	[.450]	5,6 & 10,11	57	10.1 +12v	31	6489930-1
FINISH	LATCH COLOR	H	G	F	E	D	C	B	A	RETENTION LOCATION	MOLDED-IN KEYING FEATURE	OMITTED PIN	VRM TYPE	NO OF DUAL POSN	PART NUMBER			

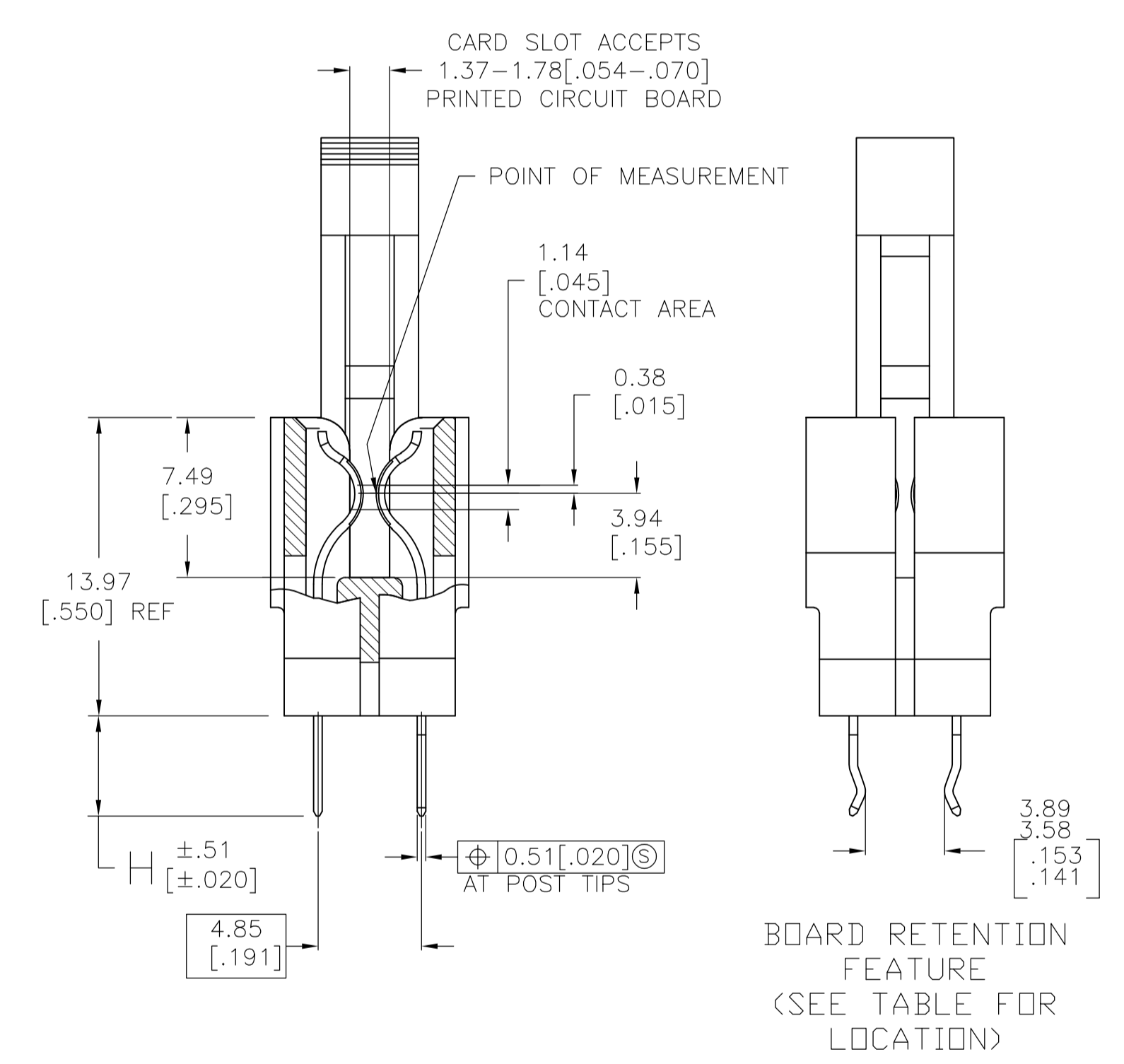
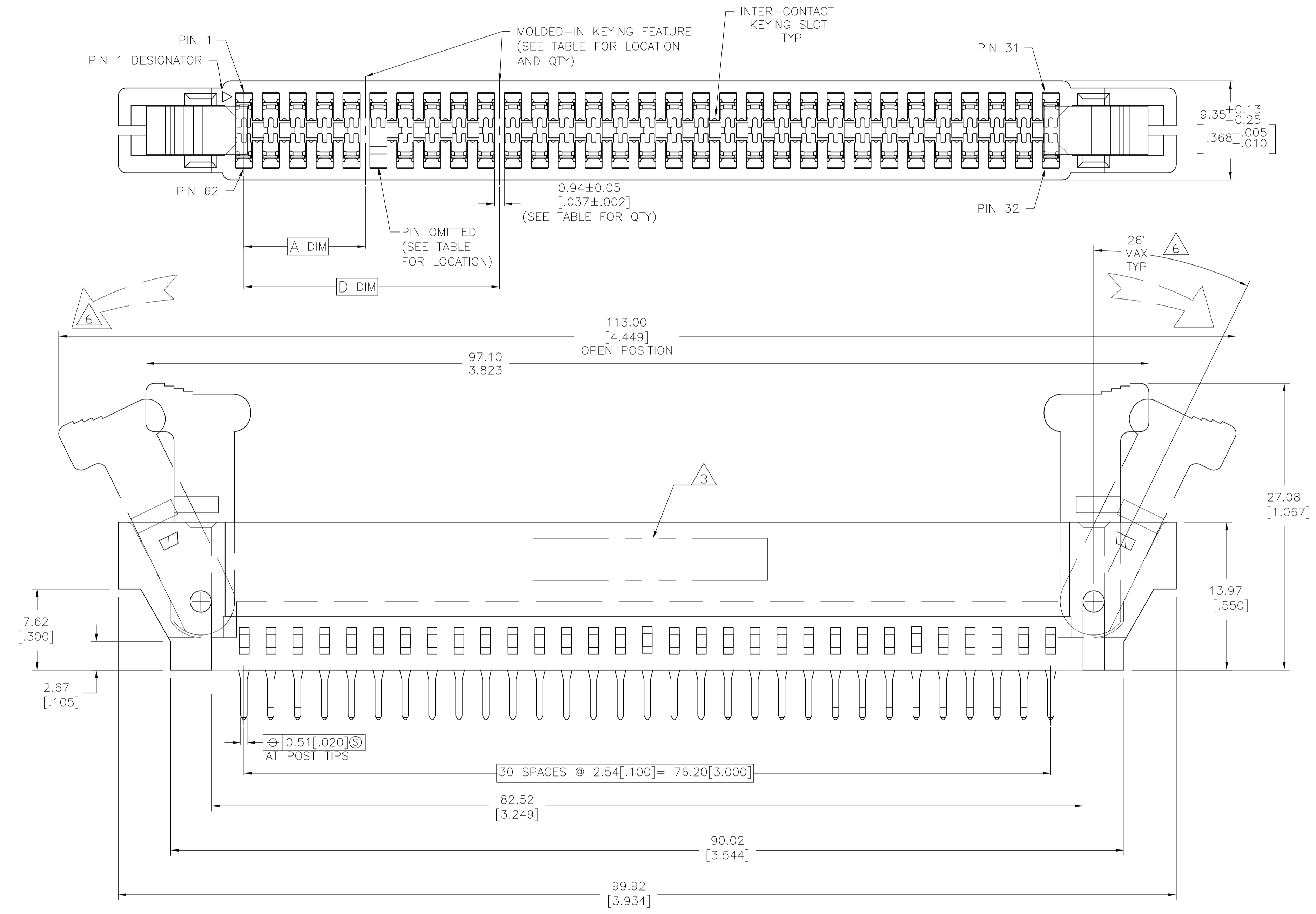
THIS DRAWING IS A CONTROLLED DOCUMENT. DIMENSIONS: mm [INCHES]. TOLERANCES UNLESS OTHERWISE SPECIFIED: 0 PLC ± -, 1 PLC ± -, 2 PLC ± -, 3 PLC ± 0.13 [.005], 4 PLC ± -. ANGLES ± -.

AWF/L.A.MAYER 02APR2008  
A.W.FRANTUM 02APR2008  
S.FLICKINGER 02APR2008

NAME: CONNECTOR ASSEMBLY HIGH CURRENT CARD EDGE DUAL POSITION, 2.54 [.100] CENTERLINE  
PRODUCT SPEC: 108-2148  
APPLICATION SPEC: 114-13018

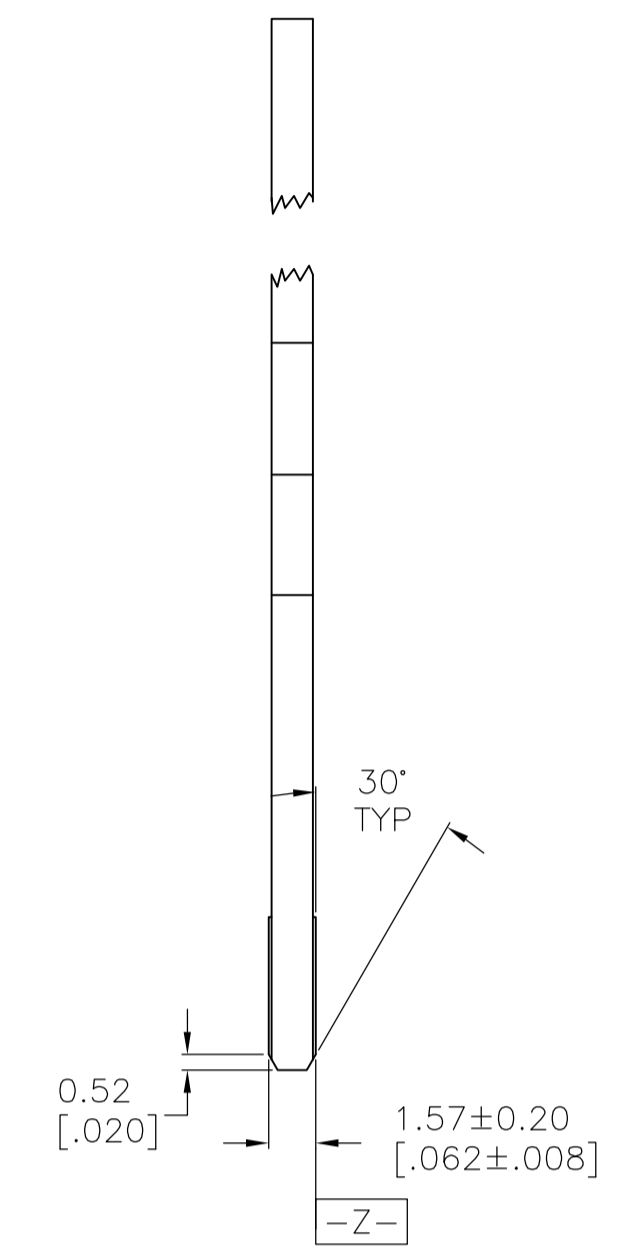
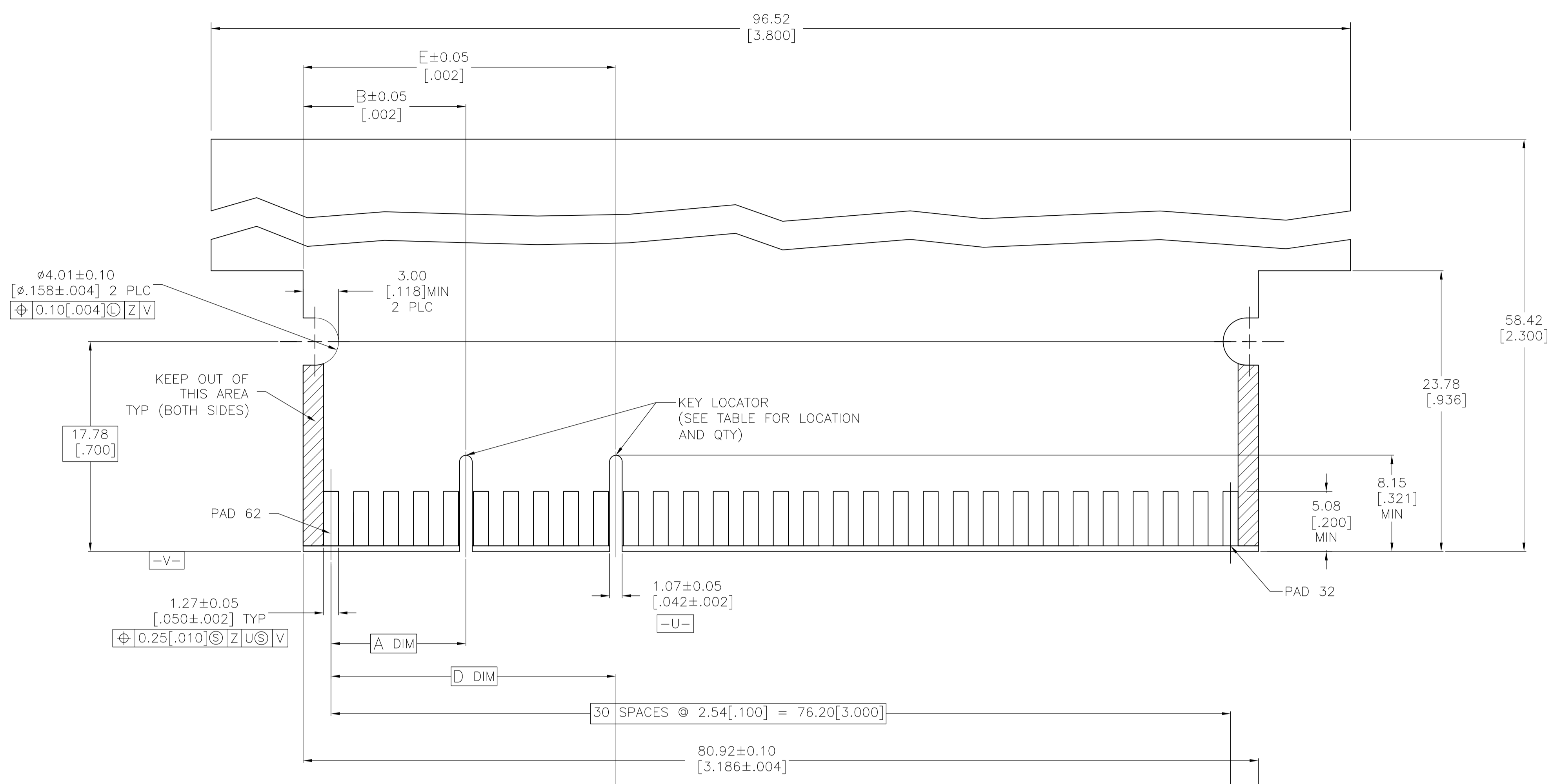
SIZE: A1  
SCALE: 5:1  
SHEET: 1 of 3  
REV: D2

CUSTOMER DRAWING

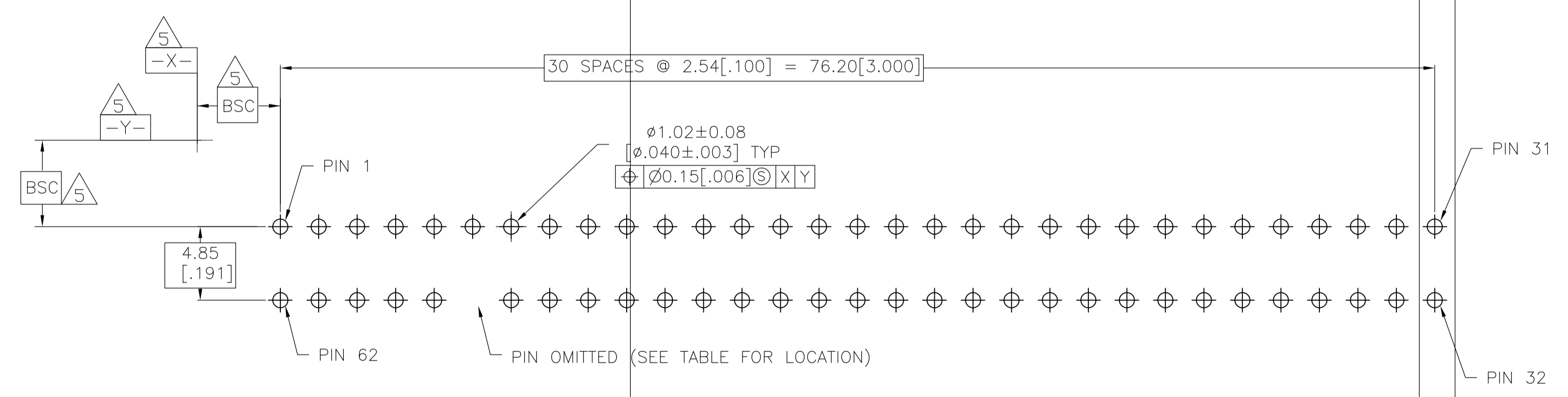


PART 6489930-8

THIS DRAWING IS A CONTROLLED DOCUMENT.		DWN AWF/L.A.MAYER 02APR2008	TE Connectivity	
DIMENSIONS: mm [INCHES]		CHK A.W.FRANTUM 02APR2008	NAME S.FLICKINGER	
TOLERANCES UNLESS OTHERWISE SPECIFIED:		APVD S.FLICKINGER 02APR2008	PRODUCT SPEC 108-2148	
0 PLC ± -	1 PLC ± -	2 PLC ± -	3 PLC ± 0.13 [.005]	APPLICATION SPEC 114-13018
4 PLC ± -	ANGLES ± -	WEIGHT -	SIZE A1	CAGE CODE 00779
MATERIAL SEE NOTE 1	FINISH SEE NOTE 2	CUSTOMER DRAWING	SCALE 5:1	SHEET 2 OF 3
			REV D2	RESTRICTED TO



RECOMMENDED MATING BORAD EDGE CONFIGURATION



RECOMMENDED PC BOARD HOLE LAYOUT

THIS DRAWING IS A CONTROLLED DOCUMENT.		DWN AWF/L.A.MAYER 02APR2008	STE TE Connectivity	
DIMENSIONS: mm [INCHES]		DWG A.W.FRANTUM 02APR2008	NAME CONNECTOR ASSEMBLY HIGH CURRENT CARD EDGE	
TOLERANCES UNLESS OTHERWISE SPECIFIED: 0 PLC ± - 1 PLC ± - 2 PLC ± - 3 PLC ± 0.13 [.005] 4 PLC ± - ANGLES ± -		APPD S.FLICKINGER 02APR2008	PRODUCT SPEC 108-2148	
MATERIAL SEE NOTE 1		FINISH SEE NOTE 2	APPLICATION SPEC 114-13018	RESTRICTED TO -
CUSTOMER DRAWING		WEIGHT -	SIZE A1	SCALE 5:1 SHEET 3 OF 3 REV D2

# Mouser Electronics

Authorized Distributor

Click to View Pricing, Inventory, Delivery & Lifecycle Information:

[TE Connectivity:](#)

[6489930-2](#)