

2

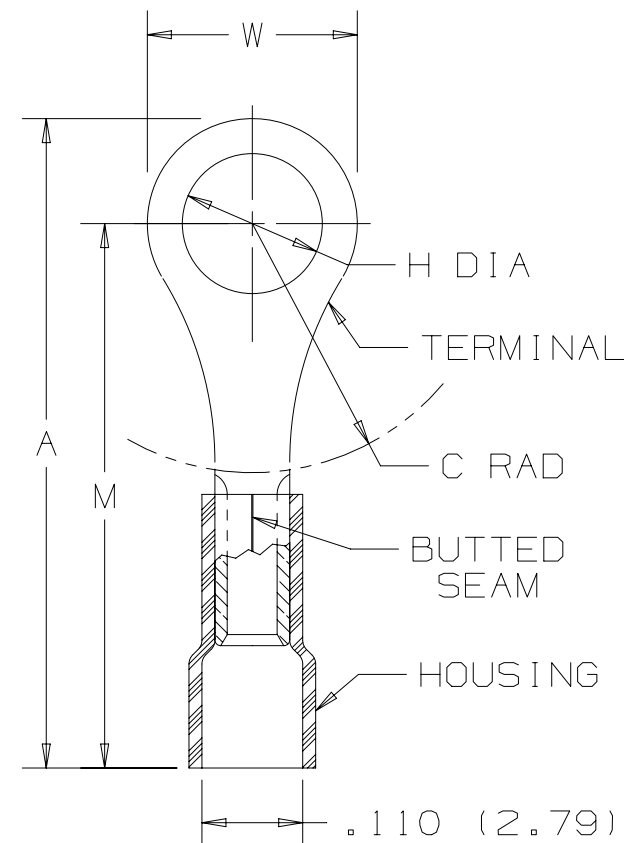
1

THIS COPY IS PROVIDED ON A RESTRICTED BASIS AND IS NOT TO BE USED IN ANY WAY DETRIMENTAL TO THE INTERESTS OF PANDUIT CORP.

PANDUIT PART #	STUD SIZE	DIMENSIONS in [mm]				
		A ± .03 [0,8]	W ± .01 [0,3]	C ± .02 [0,51]	M ± .03 [0,8]	H ± .01 [0,3]
PV22-2R	#2	.68 [17,27]	.21 [5,33]	.18 [4,57]	.58 [14,73]	.10 [2,54]
PV22-4R	#4	.68 [17,27]	.21 [5,33]	.18 [4,57]	.58 [14,73]	.12 [3,05]
PV22-6R	#6	.68 [17,27]	.21 [5,33]	.18 [4,57]	.58 [14,73]	.15 [3,81]
PV22-8R	#8	.78 [19,81]	.26 [6,60]	.26 [6,60]	.65 [16,51]	.17 [4,32]
PV22-10R	#10	.78 [19,81]	.32 [8,13]	.24 [6,10]	.62 [15,75]	.20 [5,08]

INSTALLATION TOOLS

CT-520
 CT-1525 (A POCKET)
 CT-2500 (CT-2525CH: A PKT)



NOTES:

1. RECOMMENDED FOR:

- A. #26-22 AWG SOLID OR STRANDED COPPER WIRE
- B. 221°F [105°C] MAX TEMP. RATING
- C. 600V MAX VOLTAGE RATING

2. MATERIAL:

- A. STAMPING - .02" [0,5] THK COPPER, TIN PLATED
- B. HOUSING - VINYL, YELLOW

3. SEE www.panduit.com FOR PACKAGE QUANTITIES

4. DIMENSIONS IN BRACKETS ARE IN MILLIMETERS

5. WIRE STRIP LENGTH: $3/16" \begin{matrix} +1/32 \\ -0 \end{matrix}$ [4,8mm $\begin{matrix} +0,8 \\ -0 \end{matrix}$]

Panduit part numbers shown on this drawing meet the material requirements of RoHS (European Directive 2002/95/EC on the Restriction of Hazardous Substances) as proposed by the Technical Adaption Committee.

REV	DATE	BY	CHK	APR	DESCRIPTION	ECN
10	4/15	TMR	JHNU	RGB	ADDED A POCKET WITH CT-1525, CT-2500 TOOLS	N41230BA-A41230
09	1/14	JHNU	JHNU	RGB	ADDED WIRE TO MAX. INSUL. DIA.	N41230BA-A41230
08	11/13	JHNU	JHNU	RGB	BUTTED SEAM WAS BRAZED SEAM	N41230BA-A41230

TITLE								
RING TERMINAL, VINYL INSULATED #26-22 AWG								
CUSTOMER DRAWING								
ITEM REVISION NAME		PANDUIT						
N41230BA/10								
DATASET FILE NAME		MATERIAL: SEE NOTES						
N41230BA/10								
UNLESS OTHERWISE SPECIFIED, DIMENSIONAL TOLERANCES ARE: IN [mm]								
.X ±	.XXX ±	THIRD ANGLE PROJECTION						
.XX ±	ANGLES ±							
DRAWN BY	DATE	CHK	SCALE	DRAWING NUMBER:				
DAW		CJH	NONE	A41230				
REV	DATE	BY	CHK	APR	DESCRIPTION	ECN	SIZE	
							SHT 1 OF 1	A

2

1

D101000DA/16

Mouser Electronics

Authorized Distributor

Click to View Pricing, Inventory, Delivery & Lifecycle Information:

[Panduit:](#)

[PV22-4R-MY](#) [PV22-8R-CY](#) [PV22-8R-MY](#) [PV22-2R-MY](#) [PV22-6R-MY](#)