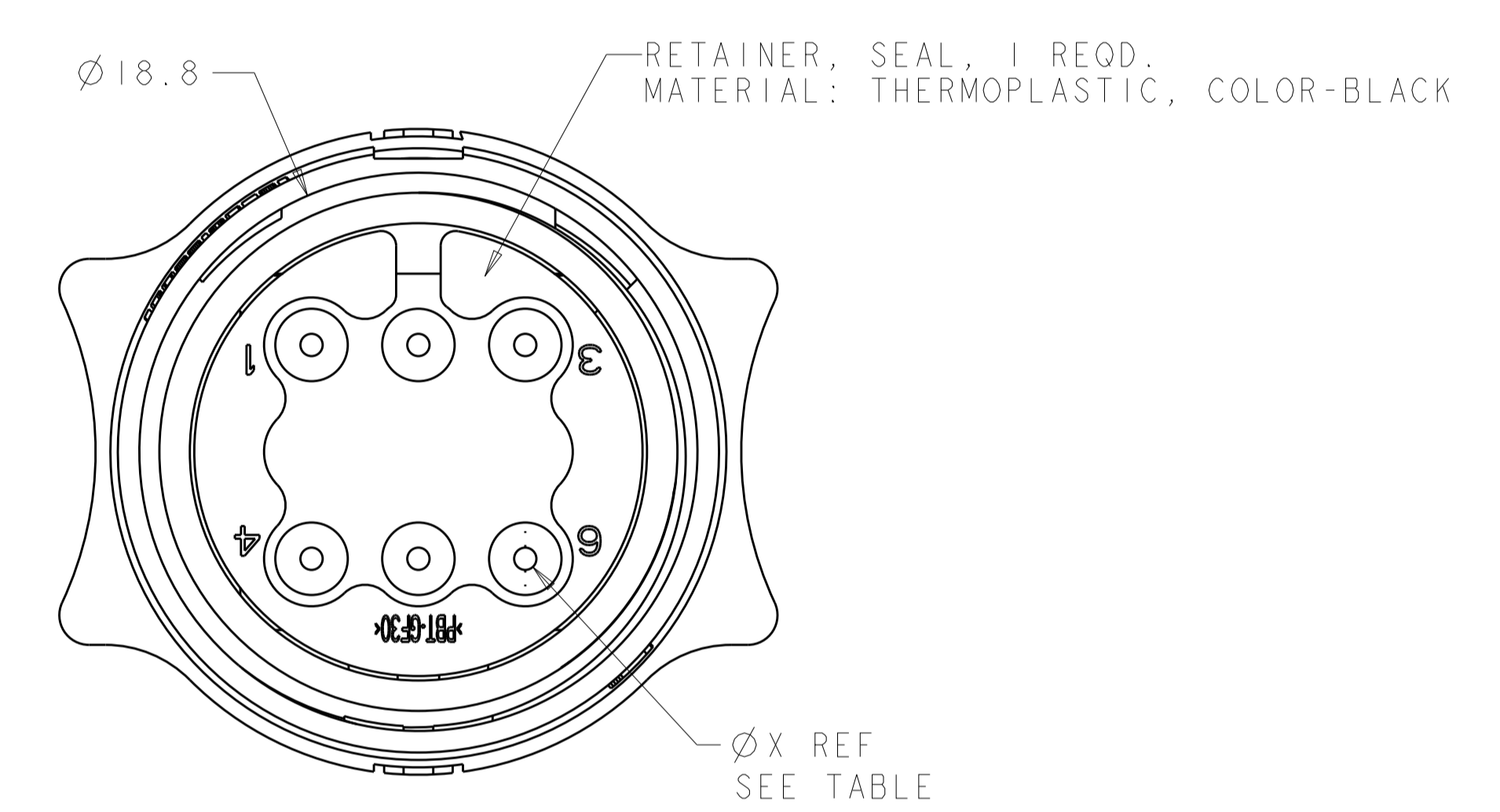
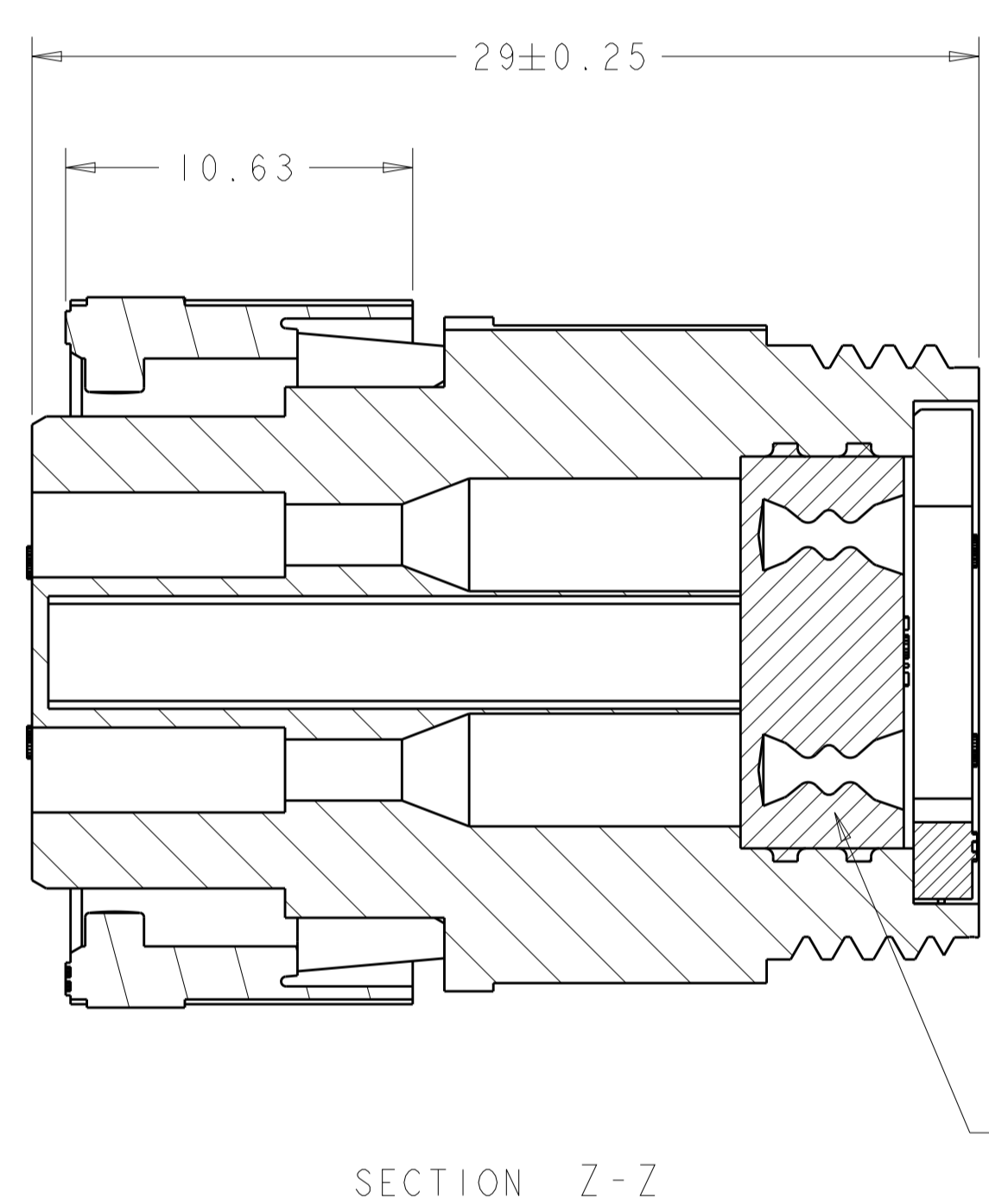
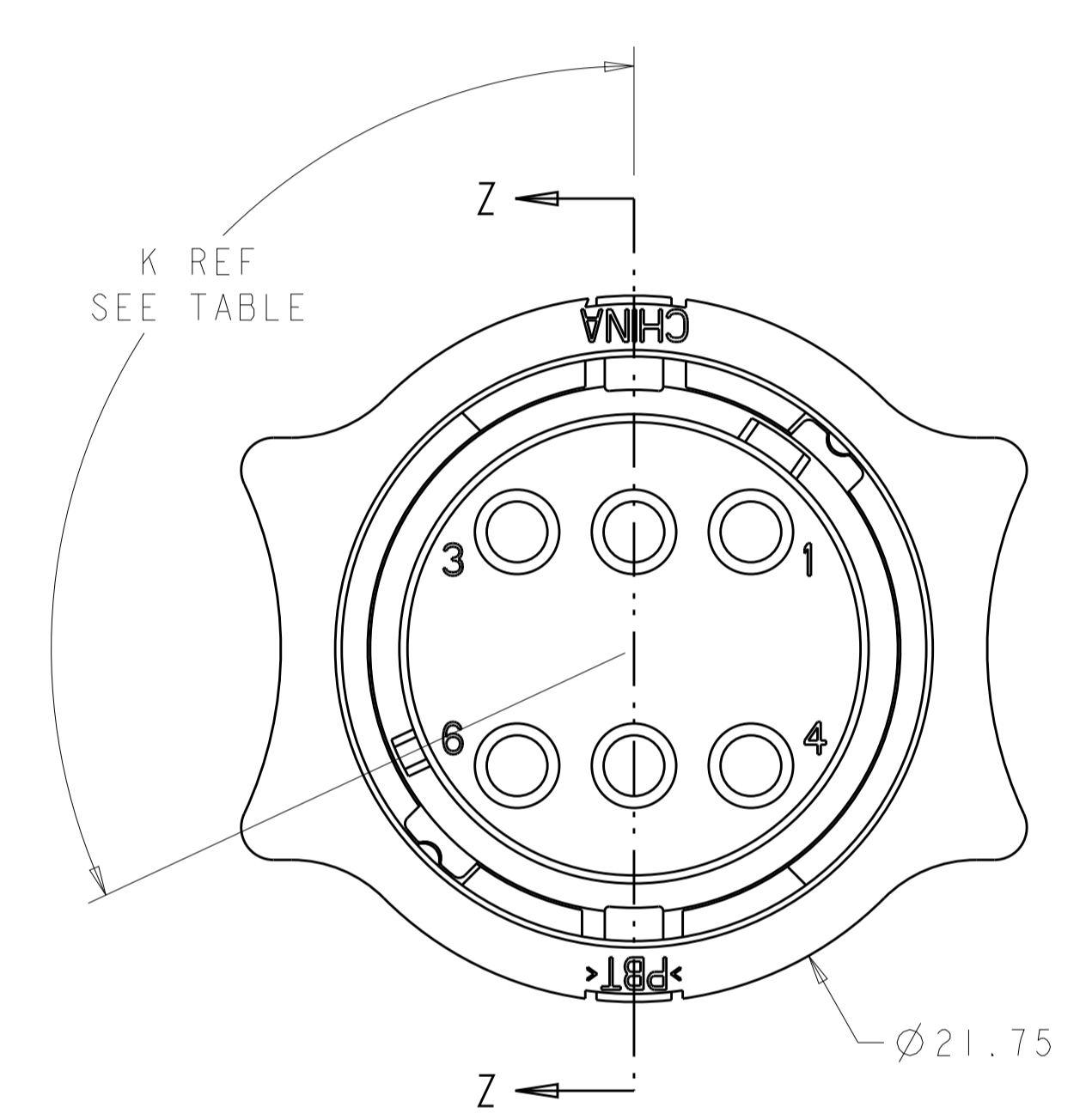
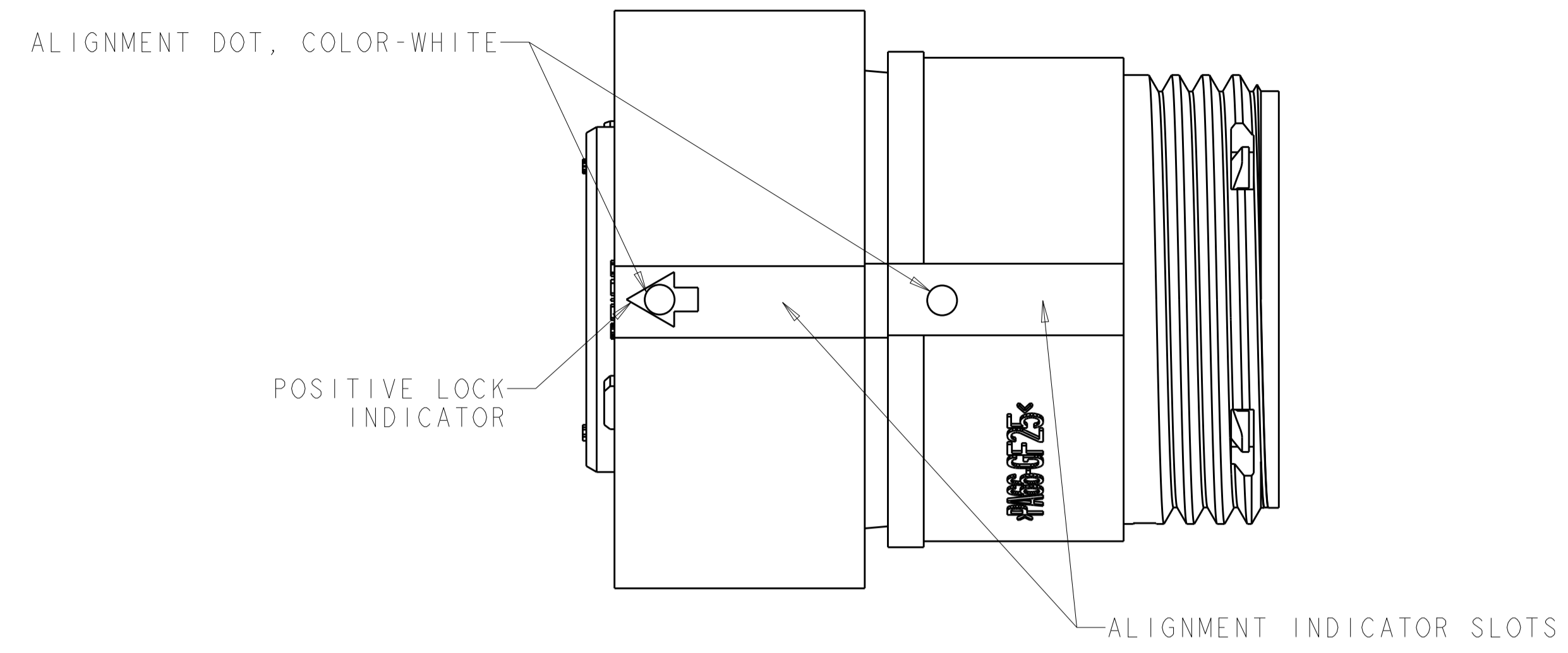
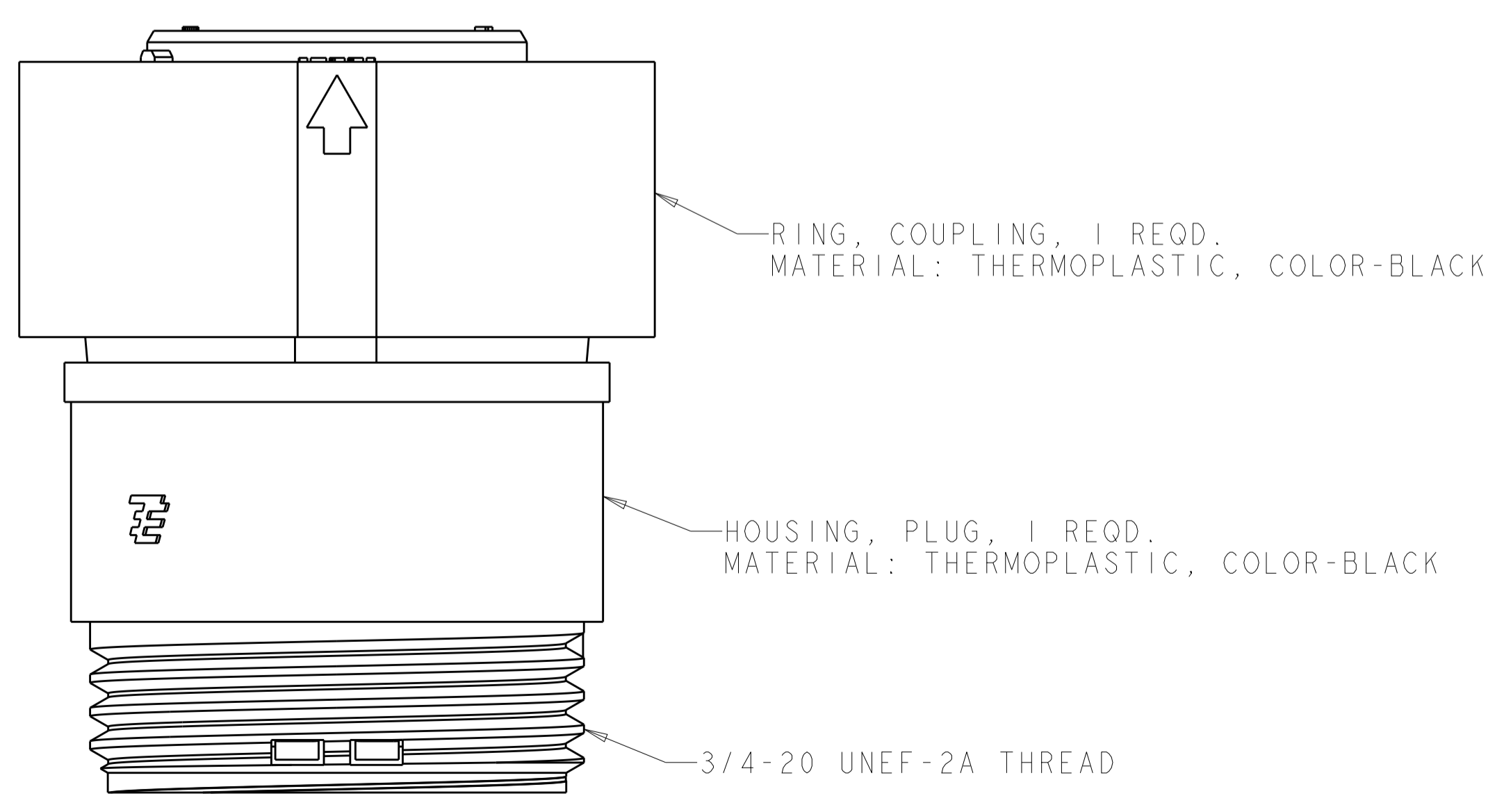


REVISIONS				
P.	LTM	DESCRIPTION	DATE	APVD
C2		REVISED PER ECO-15-010004	13JUL2015	NK MZ
D		REVISED PER ECO-16-018352	25MAR2017	RS MZ



SEAL, WIRE ENTRY, 1 REQD.  
MATERIAL: ELASTOMER, COLOR-SEE TABLE



OBSELETE	YELLOW	Ø 0.75	135°	1445819-4
	NATURAL	Ø 1.5	115°	1445819-3
OBSELETE	NATURAL	Ø 1.5	135°	1445819-2
	YELLOW	Ø 0.75	115°	1445819-1
	SEAL, WIRE ENTRY COLOR	Ø X REF	K REF	PART NUMBER

THIS DRAWING IS A CONTROLLED DOCUMENT.

SHANE WIESE 16OCT2001  
G DOUTY 16OCT2001

H. WAKEEM 13JUN2003

TE Connectivity

ASSEMBLY, PLUG, SIZE 11,  
6 POSITION, SEALED, MINI CPC

SIZE: A1 CAGE CODE: 100779 DRAWING NO: 1445819

SCALE: 5:1 SHEET: 1 OF 1 REV: D

# Mouser Electronics

Authorized Distributor

Click to View Pricing, Inventory, Delivery & Lifecycle Information:

[TE Connectivity:](#)

[1445819-1](#)