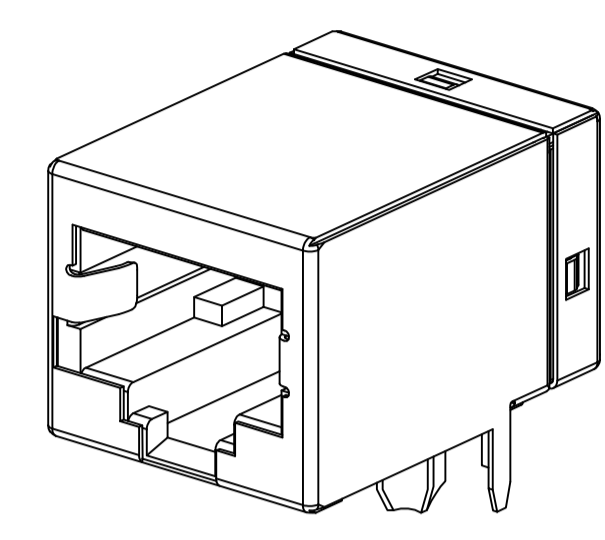
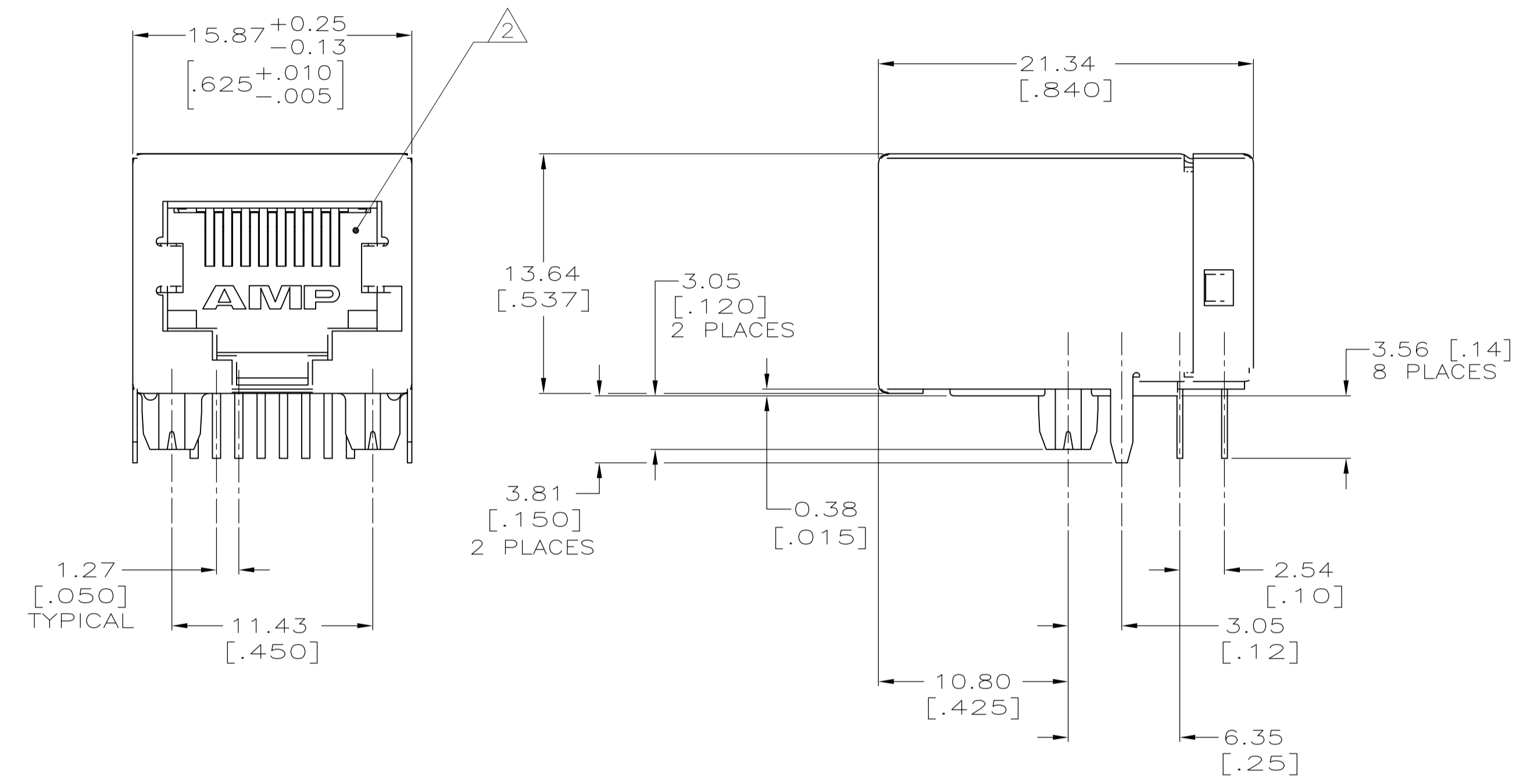
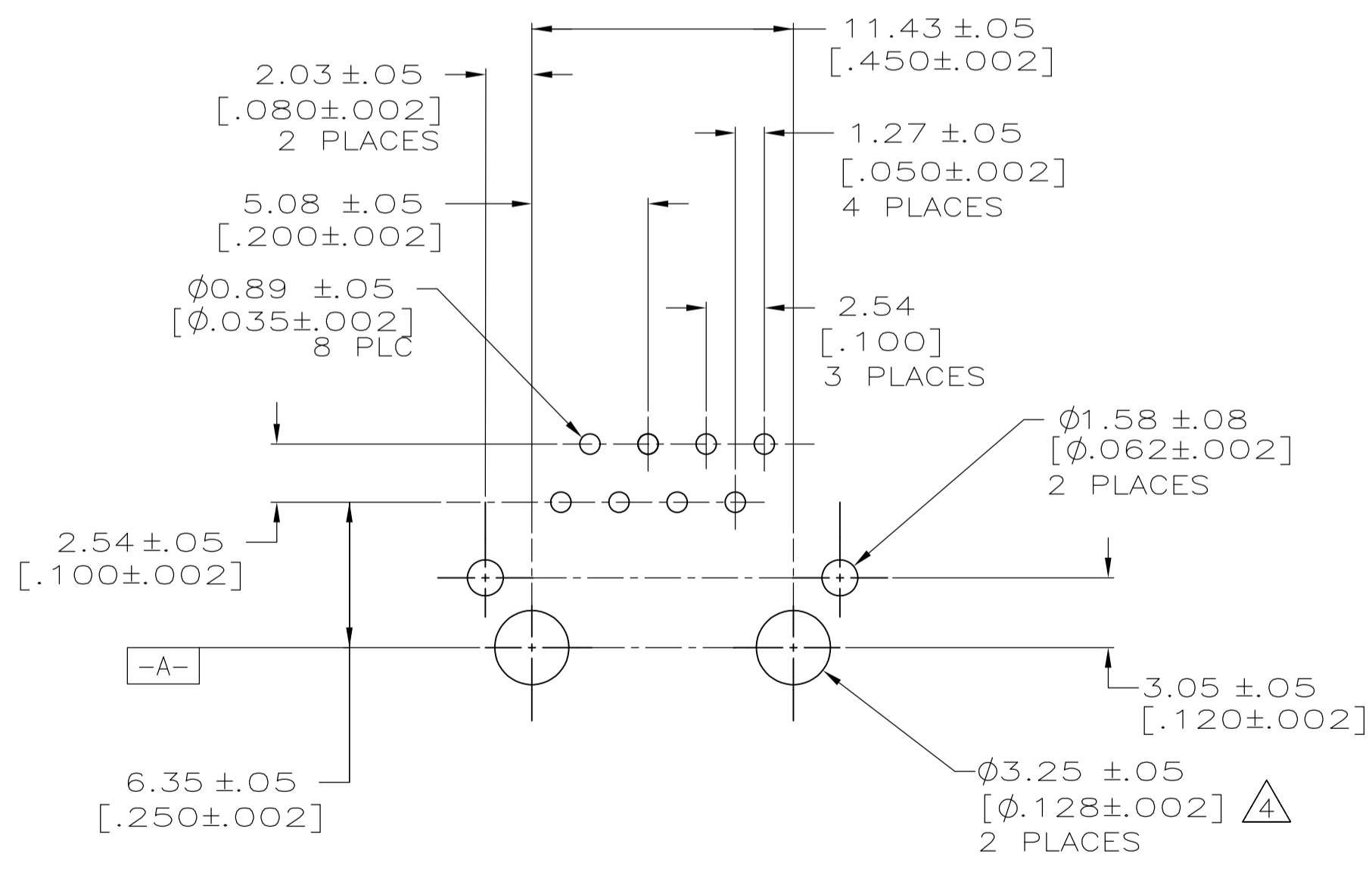


LOC		DIST		REVISIONS			
AA	22	REV	DATE	DESCRIPTION	DATE	BY	APPV
B2	REVISED PER ECO-11-005033		26MAR11			RK	HMR

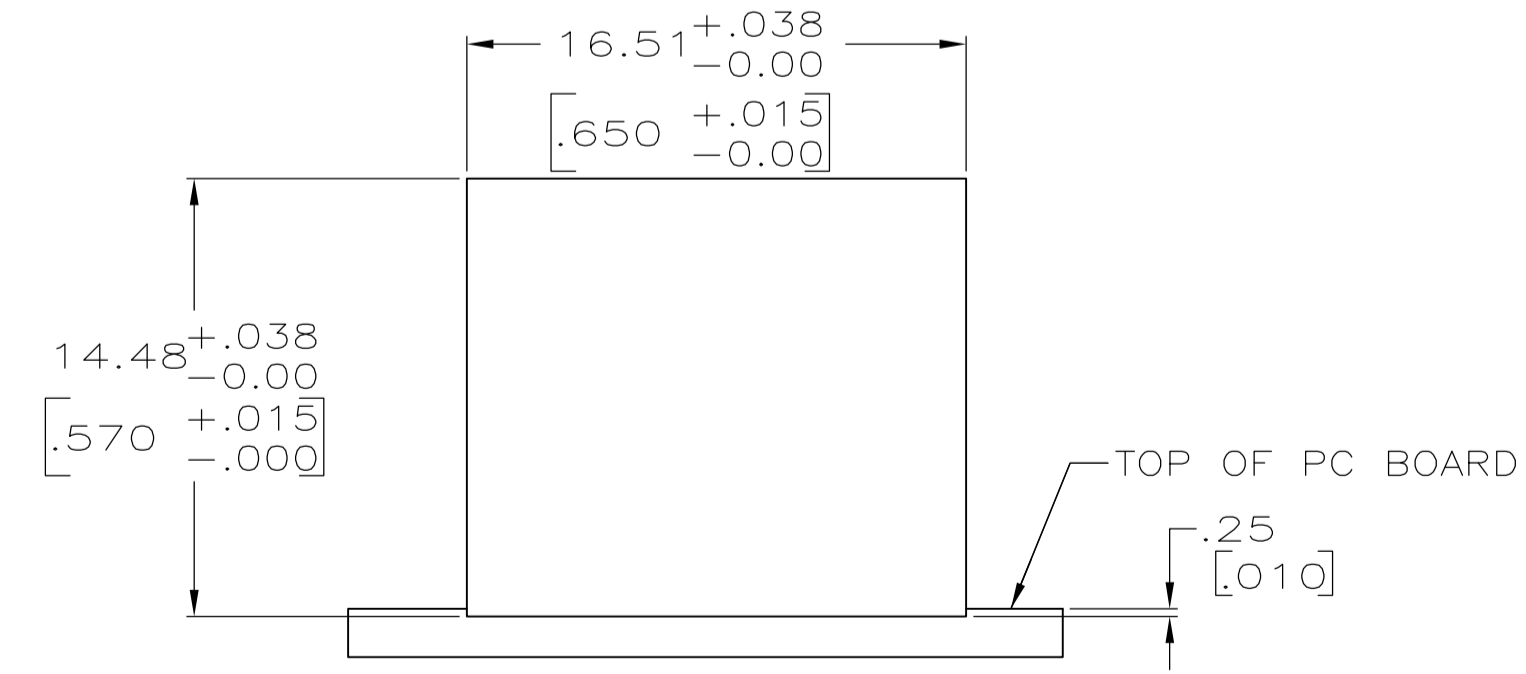


SCALE 2:1

- 1 MATERIAL: HOUSING - PCT POLYESTER, BLACK, UL 94V-0, IR COMPATIBLE.
TERMINALS - 0.33[.013] THICK PHOS BRONZE PLATED WITH 1.27μm[.000050] MINIMUM THICK HARD GOLD IN LOCALIZED AREA AND 3.81μm [.000150] MINIMUM THICK MATTE TIN IN SOLDER AREA OVER 1.27μm[.000050] MINIMUM THICK NICKEL UNDERPLATE.
SHIELD: .254mm[.010] THICK COPPER ALLOY PLATED WITH 1.27μm [.000050] MINIMUM NICKEL AND 2.03 μm [.000080] MINIMUM HOT TIN DIP ON PCB GROUND TABS.
- 2 JACK CAVITY CONFORMS TO FCC RULES AND REGULATIONS, PART 68 SUBPART F.
- 3. ALL DIMENSIONS SHOWN ARE NOMINAL UNLESS OTHERWISE SPECIFIED.
- 4 USE #30 DRILL BIT OR 3.25mm DRILL BIT WHEN PRODUCING THESE PCB HOLES.



SUGGESTED PC BOARD LAYOUT (COMPONENT SIDE)



SUGGESTED PANEL CUTOUT

5557786-1
PART NUMBER

THIS DRAWING IS A CONTROLLED DOCUMENT.		DIN G. ATTADIA - 15JUN2005		STE TE Connectivity	
DIMENSIONS: mm [INCHES]		CHK J. WESTMAN 15JUN2005		NAME	
TOLERANCES UNLESS OTHERWISE SPECIFIED:		APVD S. FLICKINGER 15JUN2005		PRODUCT SPEC	
0 PLC ± -		APPLICATION SPEC		MODULAR JACK ASSEMBLY, 8 POSITION, RIGHT ANGLE, LOW PROFILE, SHIELDED, PC BOARD GROUND	
1 PLC ± -		114-2048		SIZE	
2 PLC ± 0.25[.010]		108-1163		CAGE CODE	
3 PLC ± -		114-2048		DRAWING NO	
4 PLC ± -		A1 00779		RESTRICTED TO	
ANGLES ± -		C=5557786		WEIGHT	
MATERIAL		CUSTOMER DRAWING		SCALE 4:1	
FINISH		SHEET 1 OF 1		REV B2	