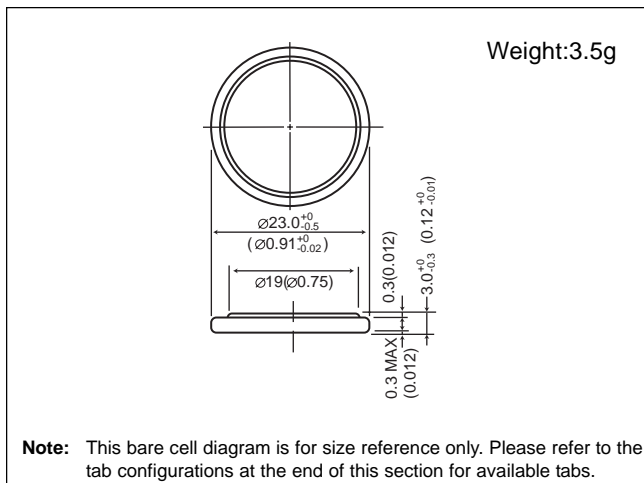


Vanadium Pentoxide Lithium Coin Batteries (VL Series): Individual Specifications

VL2330

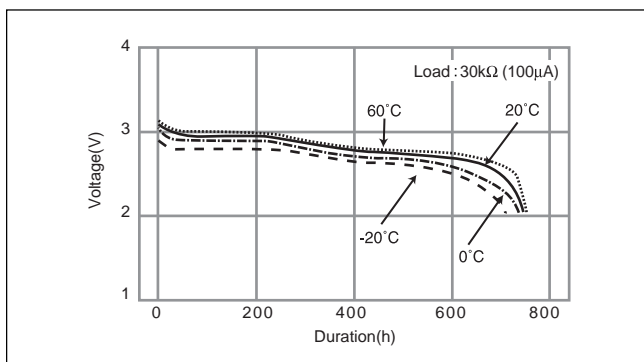
■ Dimensions(mm)



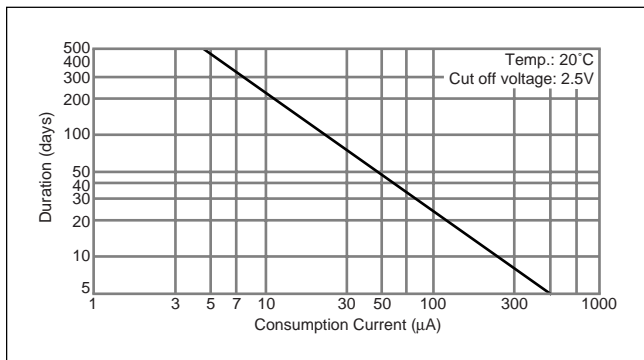
■ Specification

Nominal voltage (V)	3
Nominal capacity (mAh)	50.0
Continuous standard load (mA)	0.1
Operating temperature (C)	-20 ~ +60

■ Discharge Temperature Characteristics

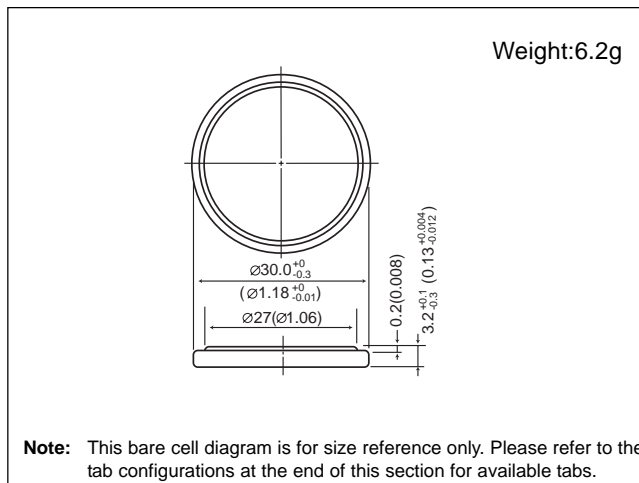


■ Consumption current vs. Duration time



VL3032

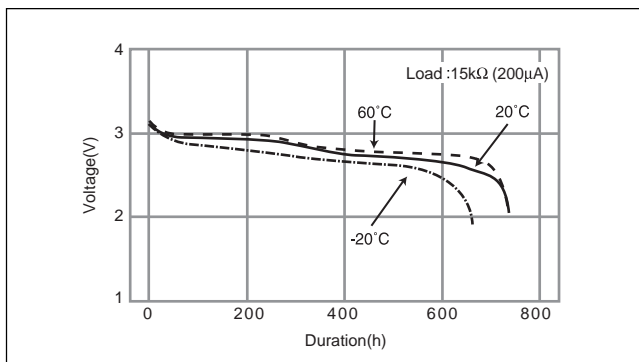
■ Dimensions(mm)



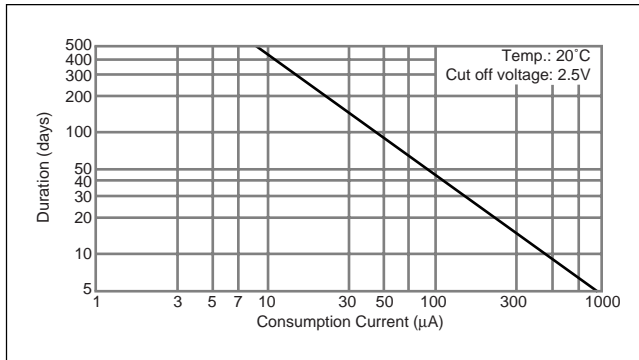
■ Specification

Nominal voltage (V)	3
Nominal capacity (mAh)	100.0
Continuous standard load (mA)	0.2
Operating temperature (C)	-20 ~ +60

■ Discharge Temperature Characteristics



■ Consumption current vs. Duration time



Mouser Electronics

Authorized Distributor

Click to View Pricing, Inventory, Delivery & Lifecycle Information:

[Panasonic:](#)

[VL3032-1F2](#) [VL-2330/F3N](#) [VL-3032/F2N](#) [VL-3032/GUFN](#) [VL-2330/G1BN](#)