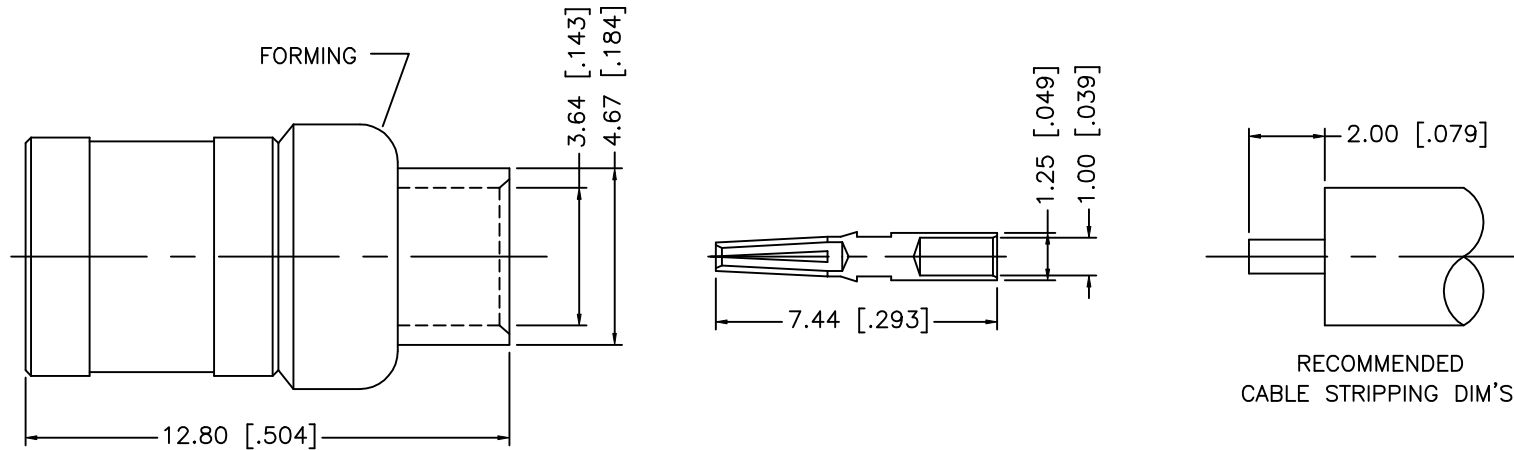


| REV. | DATE     | DESCRIPTION     |
|------|----------|-----------------|
| NC   | 01/13/03 | INITIAL RELEASE |



NOTE:  
1. CONTACT PIN TO SOLDER

|   |             |             |         |     |   |           |        |   |  |    |          |   |  |  |
|---|-------------|-------------|---------|-----|---|-----------|--------|---|--|----|----------|---|--|--|
| 8 |             |             |         |     | <p>UNLESS OTHERWISE SPECIFIED DIMENSIONS ARE IN MILLIMETERS. DIMENSIONS IN [ ] ARE IN INCHES AND FOR CUSTOMER REFERENCE ONLY.</p> <p>UNLESS OTHERWISE SPECIFIED TOLERANCES FOR MILLIMETERS ARE:<br/>0.5 - 8mm ± 0.20mm<br/>8 - 30mm ± 0.40mm<br/>30 - 120mm ± 0.50mm</p> <p>UNLESS OTHERWISE SPECIFIED TOLERANCES FOR INCHES ARE:<br/>.020 - .315 = ± 0.007"<br/>.315 - 1.180 = ± 0.015"<br/>1.180 - 4.724 = ± 0.020"</p> <p>DO NOT SCALE DRAWING</p> | APPROVALS | DATE   | <h1 style="color: blue;">Amphenol Connex</h1> |  |    |          |   |  |  |
| 7 |             |             |         |     |   | DRAWN     | G.R.S. |   |  |    | 01/13/03 | <p>PART DESCRIPTION</p> <p style="text-align: center;"><b>SMB DIRECT SOLDER PLUG<br/>(FOR .141" SEMI RIGID CABLE)</b></p> |  |  |
| 6 |             |             |         |     |   | CHECKED   |        |   | <p>PART NO.</p> <p style="text-align: center;"><b>142321</b></p> |    |          |   |  |  |
| 5 |             |             |         |     |   | ISSUED    |        |   |  |    |          | <p>DWG. NO.</p> <p style="text-align: center;">142321.DWG</p>   |  |  |
| 4 |             |             |         |     |   | SHEET     | 1 OF 1 |   | REV.   | NC | SIZE     |   |  |  |
| 3 | CONTACT PIN | BER. COPPER | GOLD    | 1   |   |           |        |   |  |    |          |   |  |  |
| 2 | INSULATOR   | TEFLON      | NATURAL | 1   |   |           |        |   |  |    |          |   |  |  |
| 1 | BODY        | BRASS       | GOLD    | 1   |   |           |        |   |  |    |          |   |  |  |
|   | DESCRIPTION | MATERIAL    | FINISH  | QTY |   |           |        | CAD FILE                                      | C:/142/142321.DWG  |    |          |   |  |  |

# Mouser Electronics

Authorized Distributor

Click to View Pricing, Inventory, Delivery & Lifecycle Information:

[Amphenol:](#)

[142321](#)