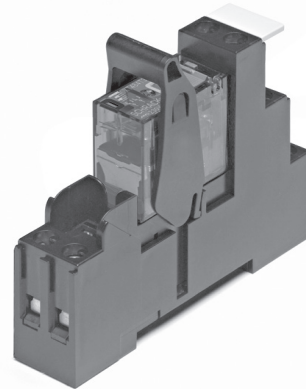


**Relay Package XT**

- Relay package consisting of XT relay, DIN-rail socket, plastic retaining clip and marking tag
- 1 CO with 16 A or 2 CO with 8 A rated load
- Sensitive DC- or AC coil
- Reinforced insulation (protection class II / VDE 0700), safe separation to VDE 0160
- Jumper bars for interconnection
- Further accessories see Accessories XT
- Manual test tab, optionally lockable
- Mechanical and electrical indicators



F0288-DP



**Approvals**

Relay: VDE Cert. No. 40017832, cULus E214025, Lloyds 08/20067 (E2)  
Socket: VDE Cert. No. 40017832, cULus E135149

Technical data of approved types on request

Contact data	1-pole	2-pole
Contact configuration	1 CO	2 CO
Contact set	single contact	
Type of interruption	micro disconnection	
Rated voltage/max. switching voltage AC	240/400 VAC	
Rated current	16 A*)	8 A
Limiting continuous current	16 A*)	8 A, UL: 10 A
Maximum breaking capacity AC	4000 VA	2000 VA
Limiting making capacity, max. 4 s, duty factor 10%	30 A	15 A
Contact material	AgNi 90/10	
Rated frequency of operation with/without load	6 / 600 min <sup>-1</sup>	

\*) For full load current (16 A) the relay terminals 11-21, 12-22 and 14-24 have to be bridged

**Contact ratings**

For contact ratings see datasheet Interface Plug-in Relay XT

**Coil data**

Rated coil voltage range DC coil	24 VDC
AC coil	24, 115, 230 VAC
Operative range to IEC 61810	2

**Coil versions, DC coil**

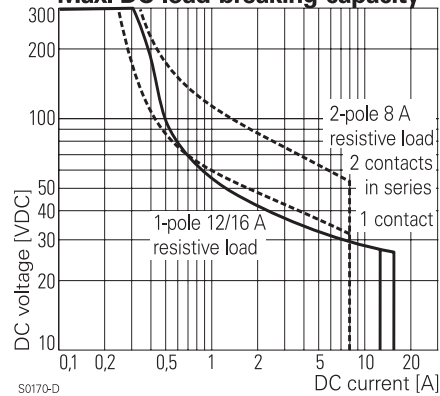
Coil code	Rated voltage VDC	Operate voltage VDC	Release voltage VDC	Coil resistance Ω±10%	Rated coil power mW
LC4	24	16.8	2.4	1440	419

**Coil versions, AC coil 50 Hz**

Coil code	Rated voltage VAC	Operate voltage 50 Hz VAC	Release voltage 50 Hz VAC	Coil resistance Ω	Rated coil power 50 Hz VA
R24	24	18.0	3.6	350±10%	0.77
S15	115	86.3	17.3	8100±15%	0.81
T30	230	172.5	34.5	32500±15%	0.81

All figures are given for coil without preenergization, at ambient temperature +23°C  
Other coil voltages on request.

**Max. DC load breaking capacity**

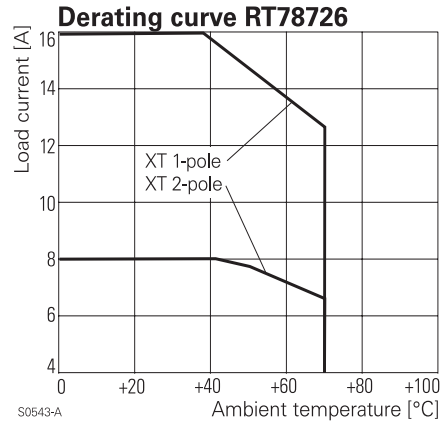


**Insulation**

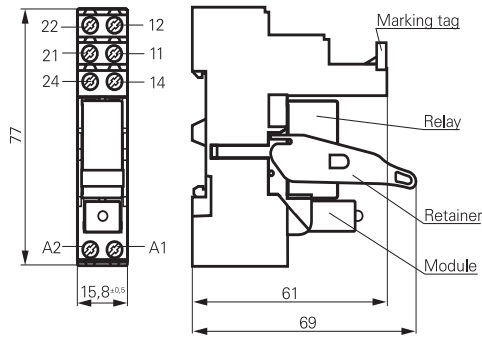
	1-pole	2-pole
<b>Dielectric strength</b>		
coil-contact circuit		5000 V <sub>rms</sub>
open contact circuit		1000 V <sub>rms</sub>
adjacent contact circuits		2500 V <sub>rms</sub>
Clearance / creepage coil-contact circuit	≥ 8 / 8 mm	
Material group of insulation parts	IIIa	
Tracking index of relay base	PTI 175 V	
<b>Insulation to IEC 60664-1</b>		
Type of insulation coil-contact circuit	reinforced	
open contact circuit	micro disconnection	
adjacent contact circuits	basic	
Rated insulation voltage	250 V	
Pollution degree	3	2
Rated voltage system	240 V	230 / 400 V
Overvoltage category	III	

**Relay Package XT** (Continued)

Other data	1-pole	2-pole
Mechanical endurance DC coil	> 10 x 10 <sup>6</sup> cycles	
AC coil	> 5 x 10 <sup>6</sup> cycles	
Material compliance: EU RoHS/ELV, China RoHS, REACH, Halogen content refer to the Product Compliance Support Center at <a href="http://www.te.com/customer-support/rohssupportcenter">www.te.com/customer-support/rohssupportcenter</a>		
Ambient temperature range for mounting/handling in operation	-20...+70°C	
Processing		
Terminals	screw	
Terminal screw torque acc. IEC 61984 max.	0.5 Nm	
Wire cross section		
single wire	2 x 2.5 mm <sup>2</sup>	
fine wire	2 x 2.5 mm <sup>2</sup>	
with bootlace crimp (DIN 46228/1)	2 x 1.5 mm <sup>2</sup>	
Insertion cycles	A (10)	
Max. Insertion Force total	100 N	
Mounting distance	≥ 0 mm, dense packing of sockets	
Weight	56 g	
Packaging unit	10 pcs	



**Dimensions**



**Product code structure**

Typical product code **XT 4S 4 T30**

**Type**

**XT** Relay Package XT

**Version**

**3S** Relay set: XT 1-pole CO (1 form C), 16 A, red LED  
**4S** Relay set: XT 2-pole CO (2 form C), 8 A, red LED

**Contact material**

**4** AgNI 90/10, CO contact

**Coil**

**LC4** 24 VDC      **R24** 24 VAC  
**S15** 115 VAC      **T30** 230 VAC

Product code	Socket	Retainer	Marking tag	Relay	Coil	Part Number
XT3S4LC4	RT78726	XT17017	RT17040	XT374LC4	24VDC	4-1415540-1
XT3S4R24				XT374R24	24VAC	4-1415540-2
XT3S4S15				XT374S15	115VAC	4-1415540-3
XT3S4T30				XT374T30	230VAC	4-1415540-4
XT4S4LC4				XT484LC4	24VDC	4-1415540-5
XT4S4R24				XT484R24	24VAC	4-1415540-6
XT4S4S15				XT484S15	115VAC	4-1415540-7
XT4S4T30				XT484T30	230VAC	4-1415540-8

# Mouser Electronics

Authorized Distributor

Click to View Pricing, Inventory, Delivery & Lifecycle Information:

[TE Connectivity:](#)

[XT484S15](#) [XT3S4R24](#) [XT3S4T30](#) [XT4S4LC4](#)