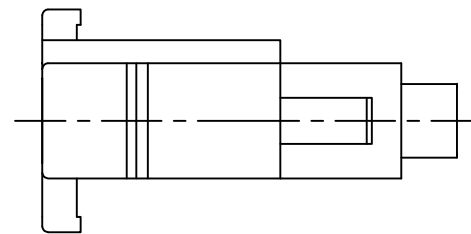
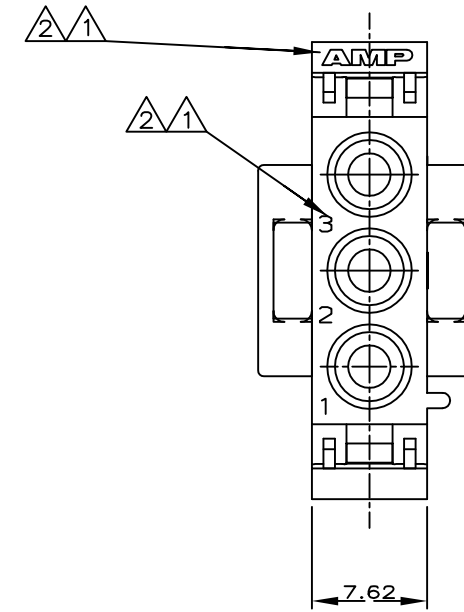
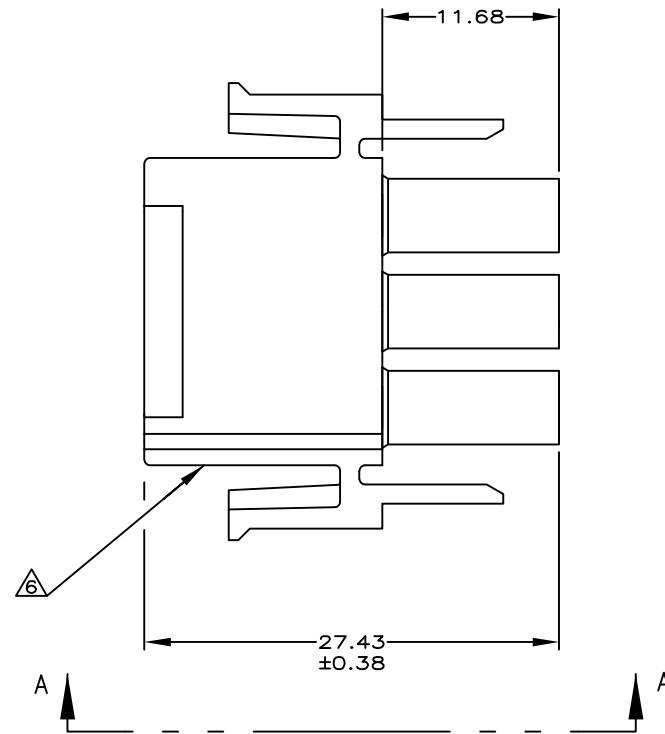
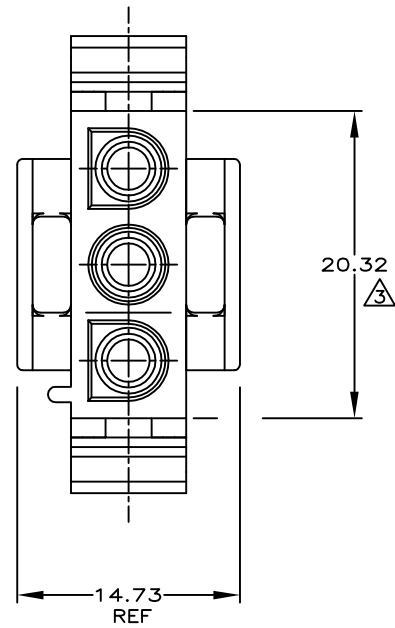


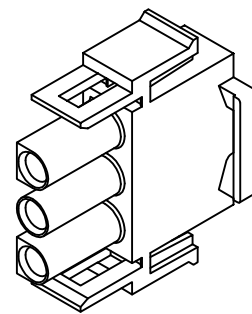
P	LTR	DESCRIPTION BESCHREIBUNG	DATE	DWN	APVD
	A3	REVISED PER ECR-17-015449	26OCT2017	BDA	KR



VIEW A-A

**Bemerkungen**  
REMARKS

- 1 Nestkennzeichnung und AMP Logo an dieser Stelle vorgesehen.  
LOCATION OF MOLD CAVITY IDENTIFICATION AND AMP LOGO
- 2 Mittelschrift 1,2 DIN 1451.  
CHARACTERS .050 HIGH, RAISED .002-.005 WITH .010-.015 FLAT ON TOP.
- 3 Teile entsprechen der TE Spec. 115-1003.  
PARTS ACCORDING TO TE SPEC. 115-1003.
- 4 Glühdrahtprüfung 750°C (ohne Flamme).  
GWT 750°C (WITHOUT FLAME)
- 5 OBSOLETE
- 6 DIMENSIONS SHOWN REPRESENT PRODUCT IN DRY, AS MOLDED, CONDITION. ADDITIONAL 2% GROWTH DUE TO SUBSEQUENT MOISTURE ABSORPTION MAY OCCUR AND SHOULD BE ACCOUNTED FOR.



3-DIMENSIONAL MODEL  
NTS

CUSTOMER PART NO	TE PART NO	REV.	PCS.	MATERIAL	SURFACE COLOR	DESCRIPTION	ITEM NO
-	0-1241809-2	A	-	PA6 UL94 V2	NATUR	UMNL HSG. 4	-
-	5-0-1241809-1	A	-	PA6.6 UL94 V2	NATUR	UMNL HSG.	-

THIS DRAWING IS A CONTROLLED DOCUMENT. DIESE ZEICHNUNG IST EIN KONTROLLIERTES DOKUMENT.		DWN M.Pfeilschiffer	17-JUN-99		TE Connectivity			
DIMENSIONS: MASSE/HEITEN: mm		CHK R. BLUMENSCHN	-					NAME
TOLERANCES UNLESS OTHERWISE SPECIFIED: ALLGEMEINTOLERANZEN		APVD -	-		PLUG, 3 CIRCUIT, UNIVERSAL MATE-N-LOK			
		PRODUCT SPEC PRODUKTSPEZ.	-		SIZE	CAGE CODE	DRAWING NO ZEICHNUNGS-NR.	RESTRICTED TO NUR FUER
MATERIAL siehe Tabelle		APPLICATION SPEC VERARBEITUNGSSPEZ.	-		A3	00779	G-1241809	-
FINISH/OBERFLAECHE/FARBE		WEIGHT GEWICHT	-		CUSTOMER DRAWING/KUNDENZEICHNUNG			SCALE MASSTAB 2:1
				SHEET BLATT 1 von 1		REV A3		

# Mouser Electronics

Authorized Distributor

Click to View Pricing, Inventory, Delivery & Lifecycle Information:

[TE Connectivity:](#)

[1241809-2](#)