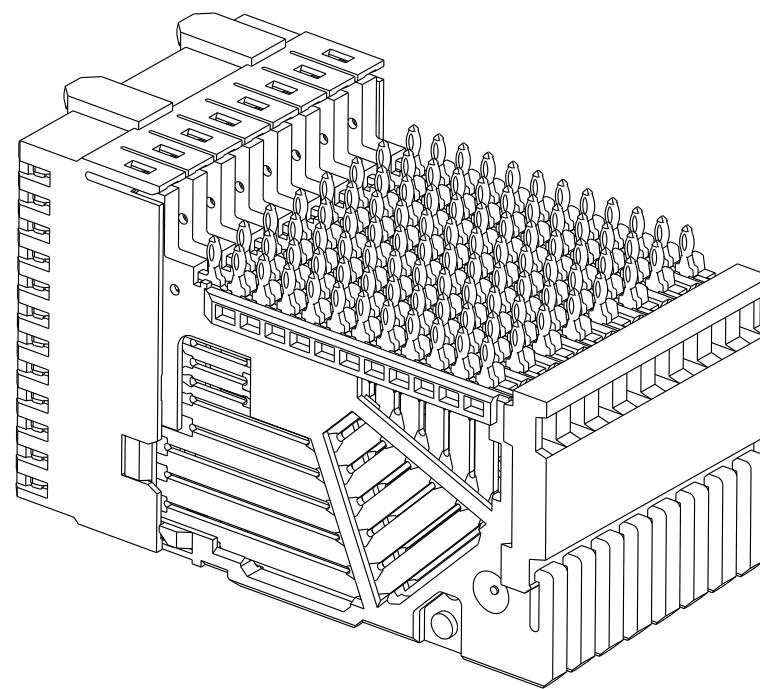
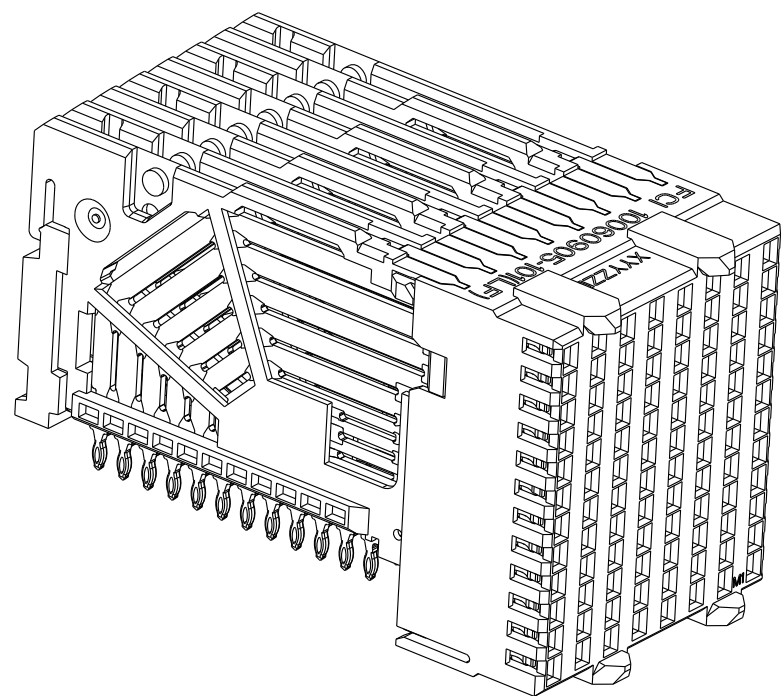
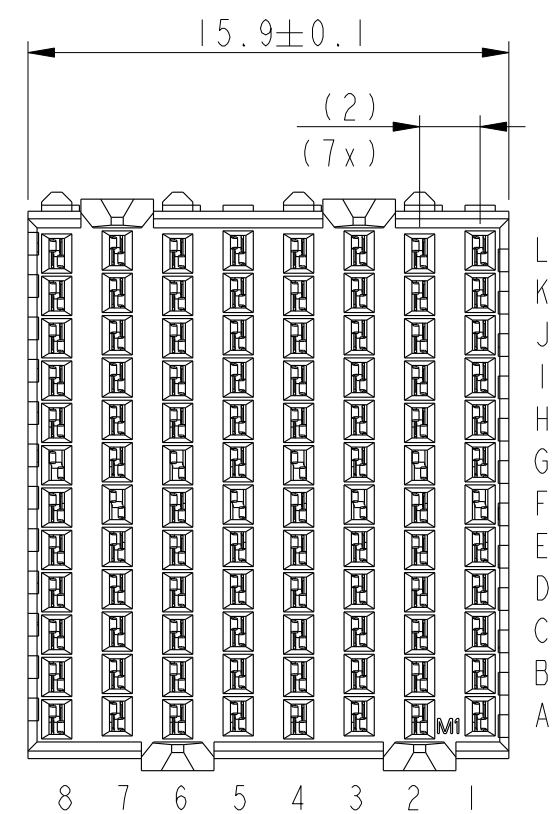
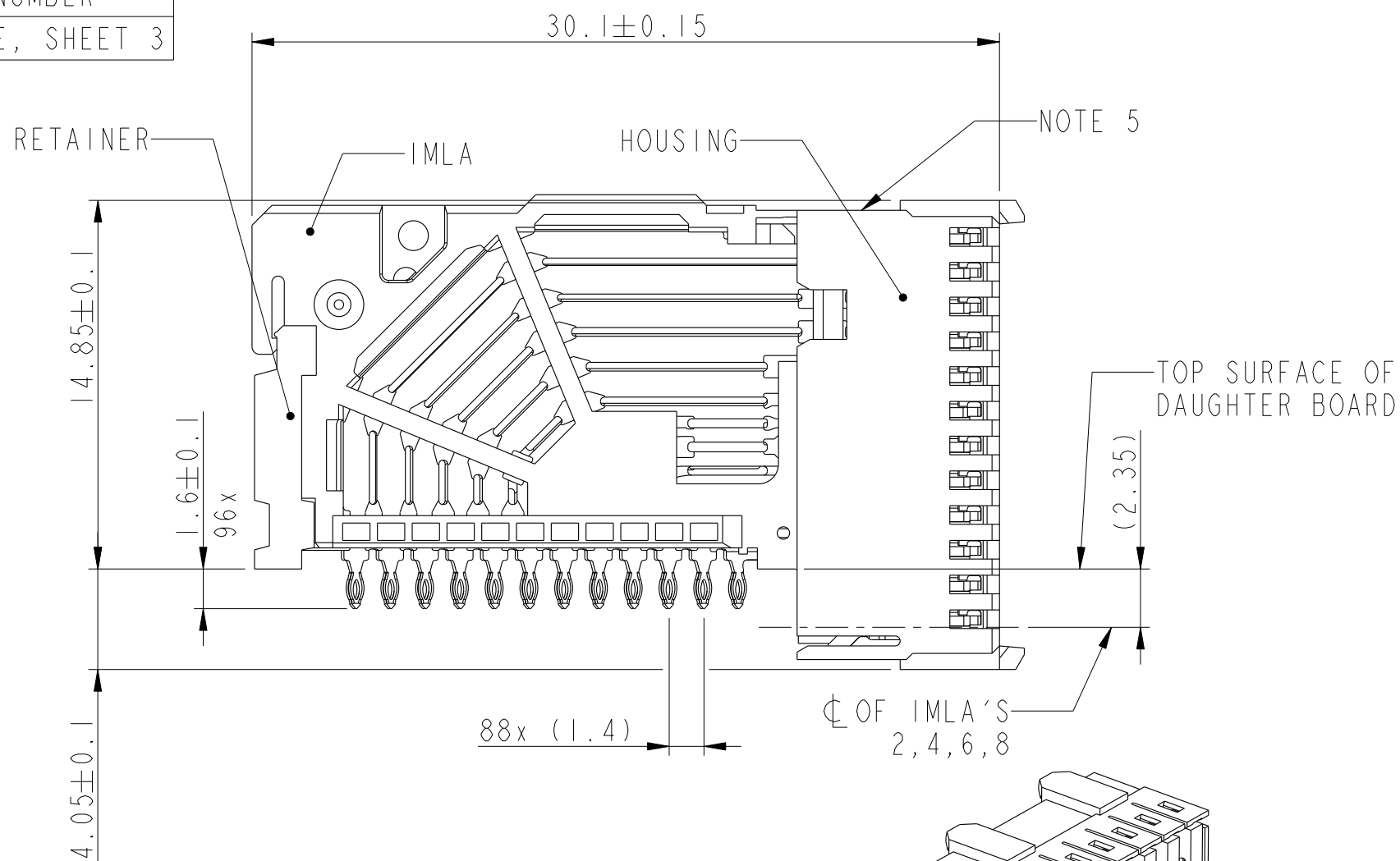


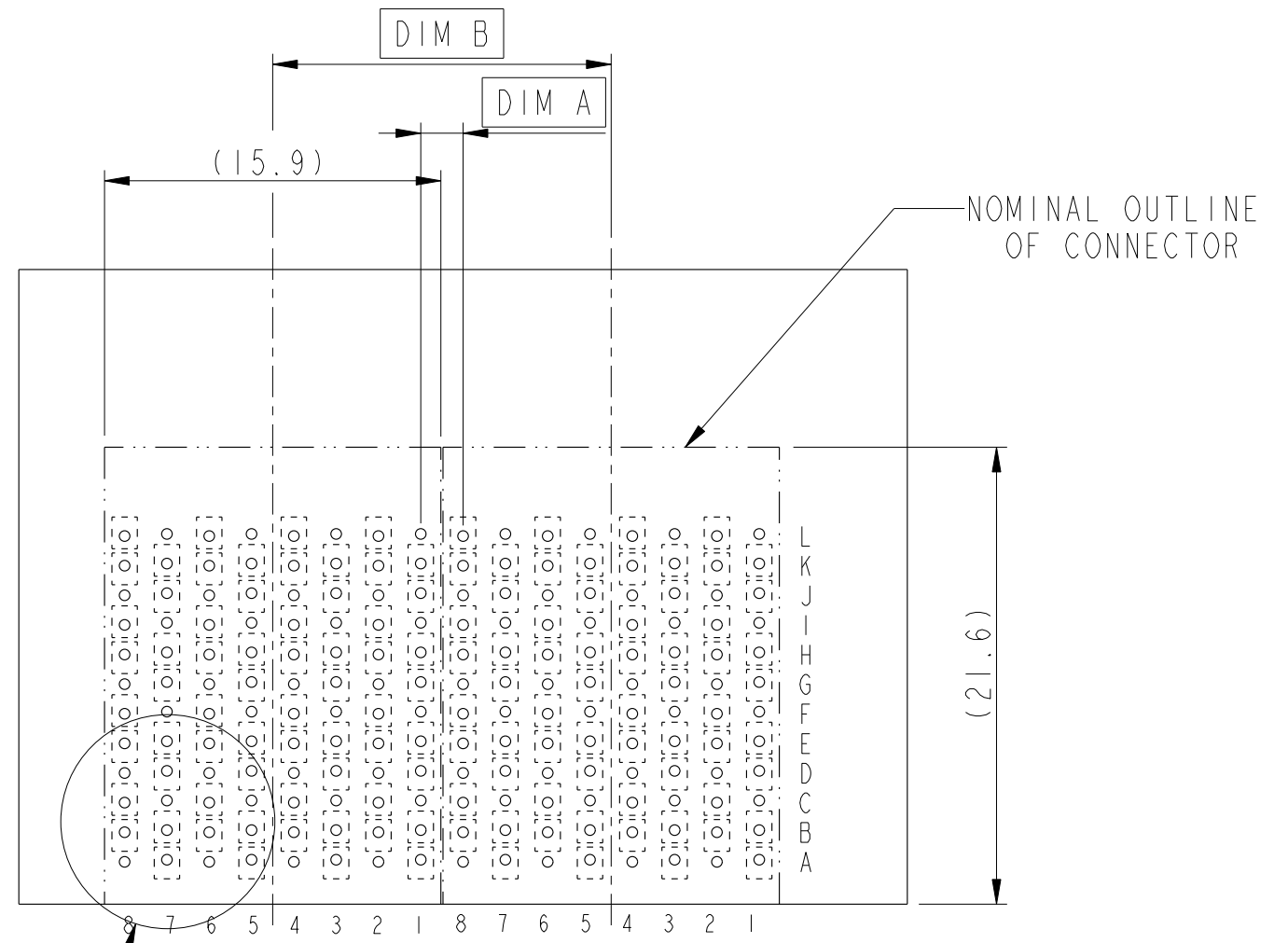
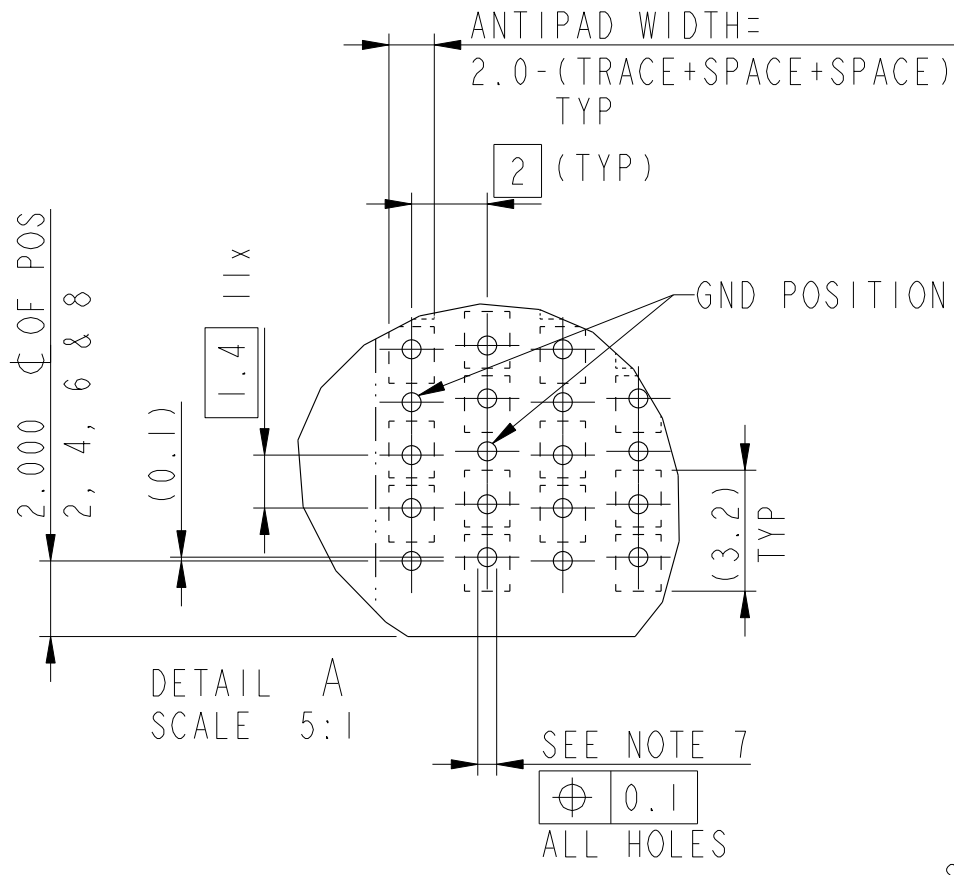
PRODUCT-NUMBER  
SEE TABLE, SHEET 3



Copyright FCI.

rev	ecn no	dr	date
A	H06-0054	VWO	2006-04-07
B	S08-0036	LS	2008-02-12
C	S08-0252	LS	2008-07-31
D	S09-0324	KHL	2009-10-20
E	S09-0404	KHL	2009-12-10
-	-	-	-
-	-	-	-

www.fciconnect.com		surface ISO 1302	tolerance std ISO 406 ISO 1101	projection MM
		TOLERANCES UNLESS OTHERWISE SPECIFIED		← →
Dr	H V WOENSEL	2005-09-19	ANGULAR	0.X ±0.3
Eng	L.S NGWE	2008-07-31	LINEAR	0.XX ±0.10
Chr	KH LEE	2009-12-10	0° ±°	0.XXX ±0.050
Appr	JOEY NG	2009-12-10	Product family	-
			size	A3
			ECN	S09-0404
			Spec ref	-
Title		AirMax VS R.A Receptacle		Rev.
Ass'y, 4pair, 96pos, 8 IMLA, 16mm		dwg no		10060905
E		CUSTOMER		sheet 1 of 3
catalog no				



RECOMMENDED PCB LAYOUT  
FOR DIFFERENTIAL APPLICATIONS  
COMPONENT SIDE  
(TWO ADJACENT FOOTPRINTS SHOWN)

SEE DETAIL A

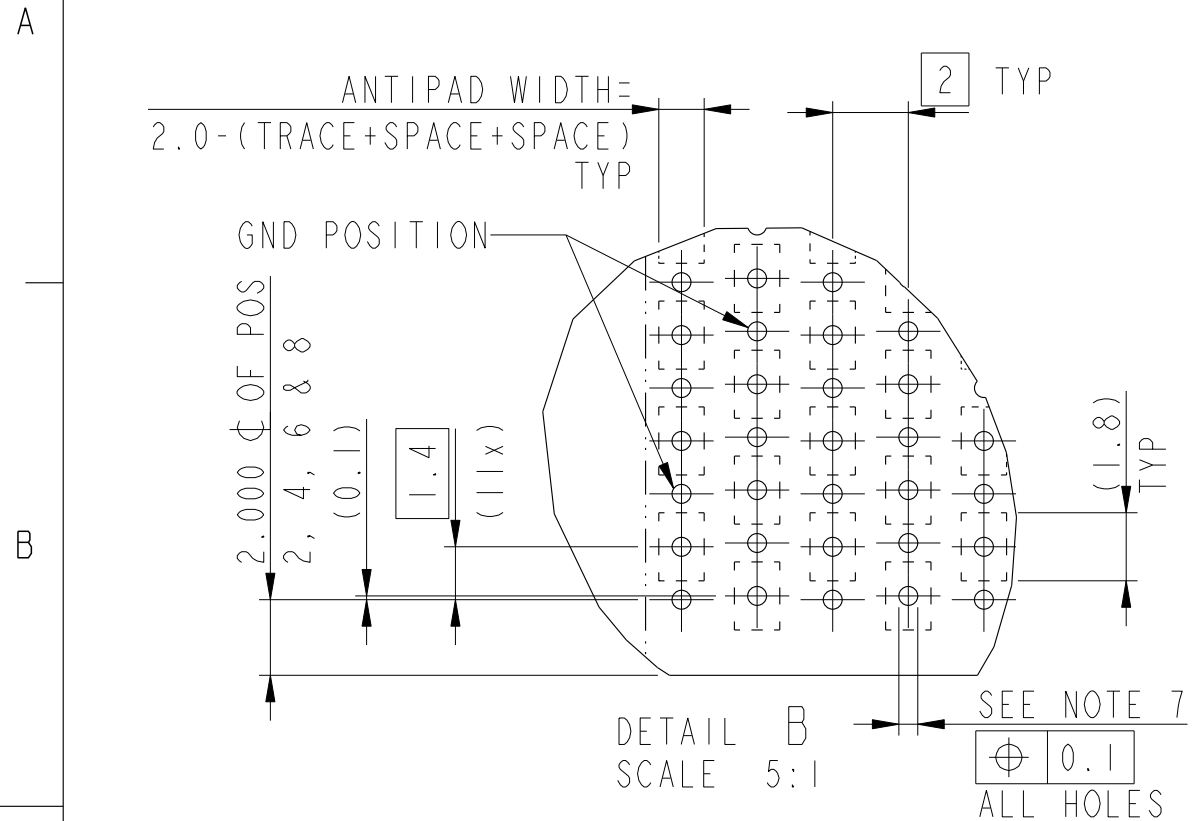
ADJACENT HEADER WIDTH	DIM A	DIM B
16MM/16MM	2MM	16MM
16MM/18MM	3MM	17MM
18MM/18MM	4MM	18MM

	Title AirMax VS R.A Receptacle Ass'y, 4pair, 96pos, 8 IMLA, 16mm	dwg no 10060905	Rev. E
	catalog no -	CUSTOMER	sheet 2 of 3

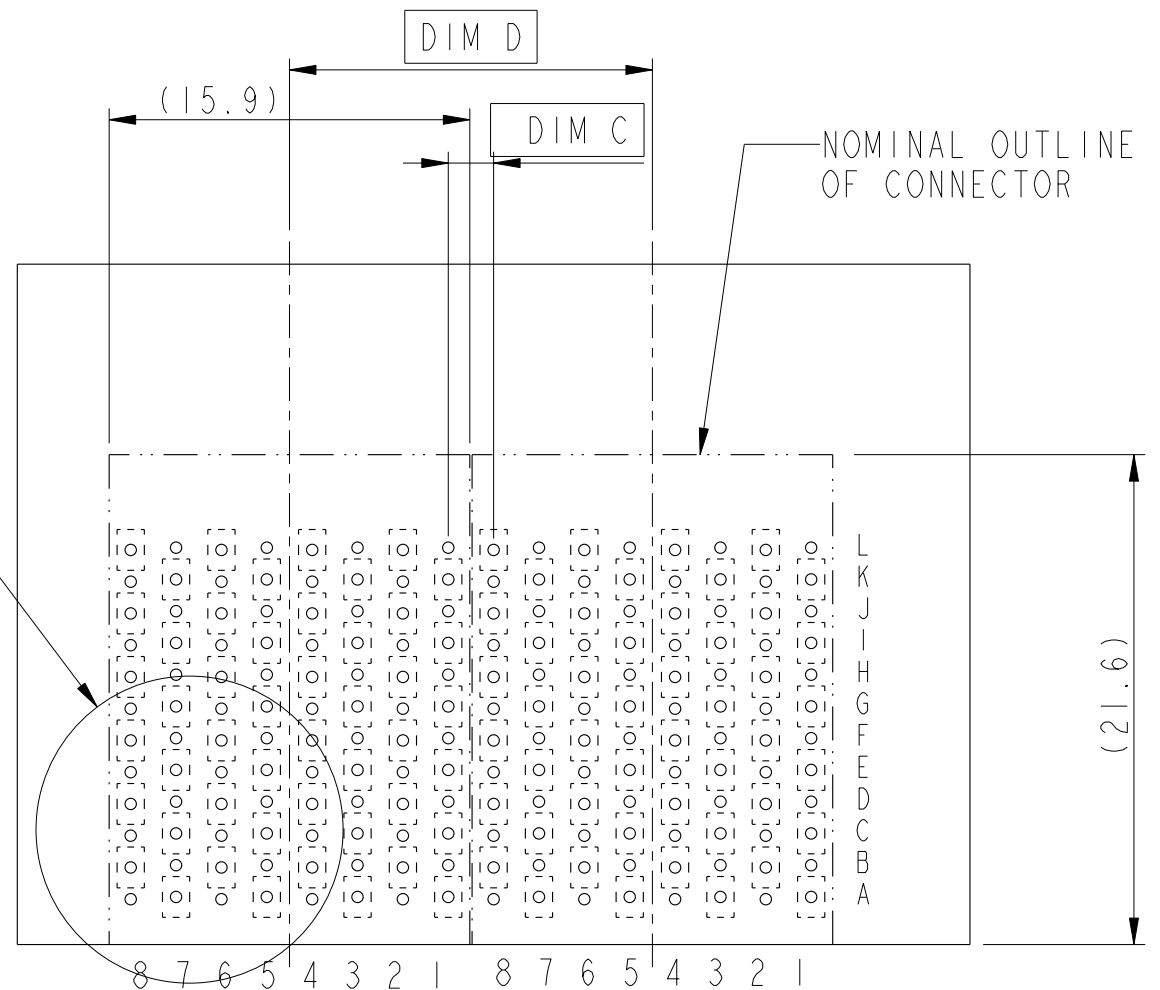


Copyright FCI.

PART NUMBER	PRESS FIT TAIL PLATING TYPE
10060905-101	TIN/LEAD ALLOY OVER NICKEL
10060905-101LF	LEAD FREE



SEE DETAIL B



RECOMMENDED PCB LAYOUT  
FOR SINGLE ENDED APPLICATIONS  
COMPONENT SIDE  
(TWO ADJACENT FOOTPRINTS SHOWN)

ADJACENT HEADER WIDTH	DIM C	DIM D
16MM/16MM	2MM	16MM
16MM/18MM	3MM	17MM
18MM/18MM	4MM	18MM

NOTES:

- CONNECTOR MATERIALS:  
HOUSING & RETAINER: HIGH TEMP THERMOPLASTIC, NATURAL, UL94V-0  
IMLA PLASTIC: HIGH TEMP PLASTIC, BLACK, UL94V-0  
CONTACT: COPPER ALLOY
- CONTACT PLATING:  
SEPARABLE INTERFACE: PERFORMANCE BASED PLATING, QUALIFIED TO MEET THE REQUIREMENTS OF FCI PRODUCT SPECIFICATION GS-12-239, INCLUDING TELCORDIA GR-1217-CORE (NOV 1995) CENTRAL OFFICE TEST SEQUENCE.  
PRESS-FIT TAILS: SEE TABLE
- PRODUCT SPECIFICATION: GS-12-239
- APPLICATION SPECIFICATION: GS-20-035.
- PRODUCT MARKING, (PARTNUMBER & LOT CODE), ON THIS SURFACE
- THERE IS NO GROUND BUSSING WITHIN THE CONNECTOR SYSTEM.
- SEE CUSTOMER DRAWING 10045979 FOR INFORMATION ON PCB HOLE DIAMETER AND PLATING OPTIONS.
- THIS PRODUCT MEETS EUROPEAN UNION DIRECTIVES AND OTHER COUNTRY REGULATIONS AS DESCRIBED IN GS-22-008.
- THE HOUSING WILL WITHSTAND EXPOSURE TO 260 °C PEAK TEMPERATURE FOR 40 SECONDS IN A CONVECTOR, INFRA-RED OR VAPOR PHASE REFLOW OVEN.
- PACKAGING MEETS GS-14-920 LEAD FREE LABELLING SPECIFICATION

II. A  $\triangle E$  SYMBOL WILL BE NEXT TO ANY DIMENSION, VIEW, OR NOTE WHICH HAS BEEN MODIFIED WITH THE CURRENT DRAWING REVISION.

FCI	Title	AirMax VS R.A Receptacle	dwg no	10060905	Rev.	E
	Ass'y, 4pair, 96pos, 8 IMLA, 16mm					
	catalog no	-	CUSTOMER	sheet 3 of 3		

# Mouser Electronics

Authorized Distributor

Click to View Pricing, Inventory, Delivery & Lifecycle Information:

[FCI / Amphenol:](#)

[10060905-101LF](#)