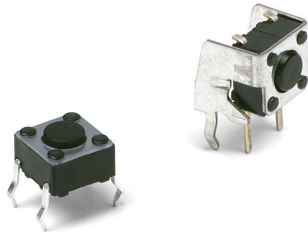


PTS645 Series 6 mm Tact Switches



Features/Benefits

- Compact size 6 x 6 mm
- Variety of actuator lengths
- Choice of actuation force
- RoHS compliant and compatible

Typical Applications

- Consumer products
- Instrumentation
- Computer products
- Industrial

B

Tactile Switches

Specification

FUNCTION: Momentary action
CONTACT ARRANGEMENT: SPST, N.O.
TERMINALS: PC pins

Mechanical

ACTUATION FORCE: 130 grams, 160 grams, 200 grams, 260 grams
LIFE EXPECTANCY: 100,000 operations.

Electrical

CONTACT RATING: 50 mA @ 12 V DC.
DIELECTRIC STRENGTH: 250 V AC min.
CONTACT RESISTANCE: 100 mΩ max. initial.
INSULATION RESISTANCE: 10¹¹ Ω min.

Environmental

OPERATING TEMPERATURE: -20°C to 60°C

Process

SOLDERING: Preheating to 100°C for 45 sec. max. Keep flux flush with top surface of PCB; do not apply to component side of PCB and area where terminals are located. Soldering to 255°C for 5 sec. max. Clean by brushing on solder surface. Do not clean switch with solvents.

Packaging

Bulk packaging.

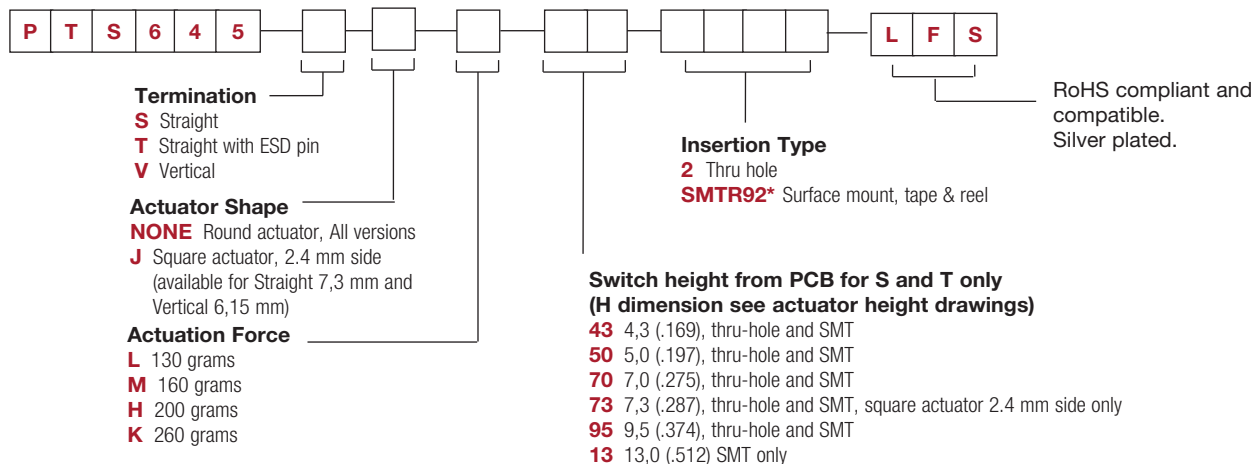
Tape & reel for the SMT type:

Reels of 1,000 pieces for 4,3 and 5,0 mm height
Reels of 700 pieces for 7,0 mm height
Reels of 500 pieces for 9,5 mm height
Reels of 400 pieces for 13,0 mm height

NOTE: Specifications listed above are for switches with standard options.
For information on specific and custom switches, consult Customer Service Center.

How To Order

Our easy build-a-switch concept allows you to mix and match options to create the switch you need. To order, select desired option from each category and place it in the appropriate box.

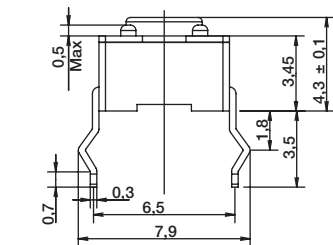


*Only the straight type termination without ESD pin is available in SMT type.

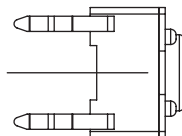
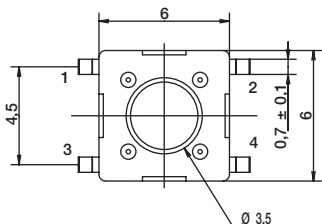
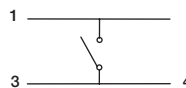
PTS645 Series 6 mm Tact Switches

TERMINATION

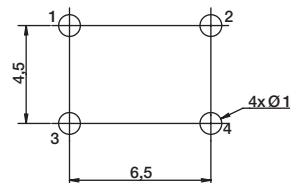
S STRAIGHT



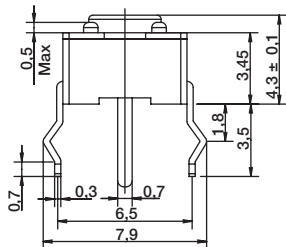
SCHEMATIC



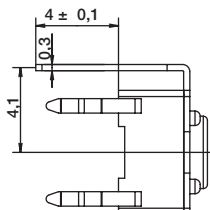
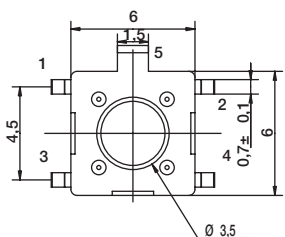
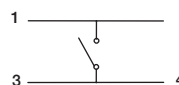
PCB LAYOUT



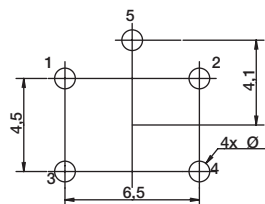
T STRAIGHT WITH ESD PIN



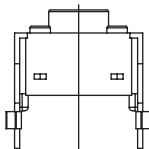
SCHEMATIC



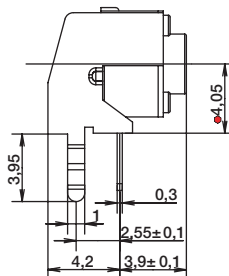
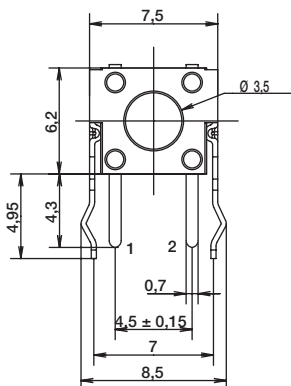
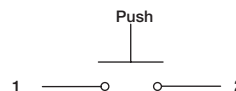
PCB LAYOUT



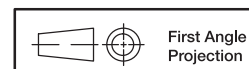
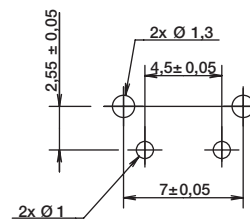
V VERTICAL



SCHEMATIC



PCB LAYOUT



First Angle Projection

Dimensions are shown: mm
Specifications and dimensions subject to change

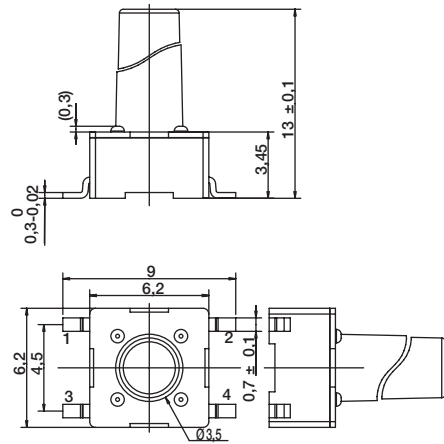
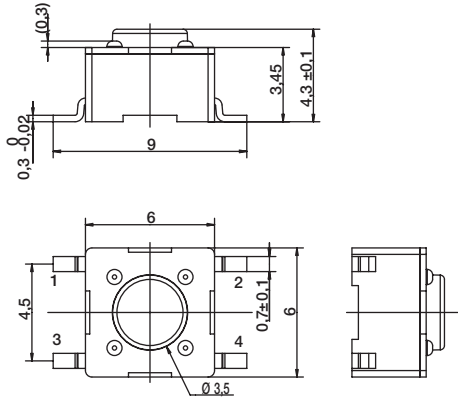
PTS645 Series 6 mm Tact Switches

TERMINATION

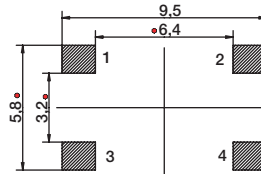
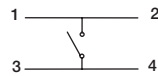
SMT

FOR 4.3, 5.0, 7.0, 9.5 MM HEIGHT

13.0 MM HEIGHT ONLY



SCHEMATIC

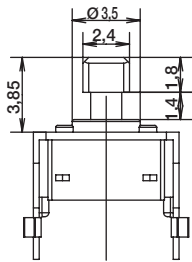


PCB LAYOUT

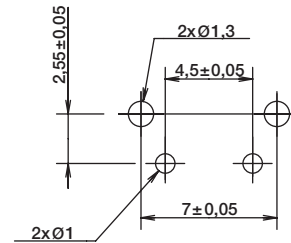
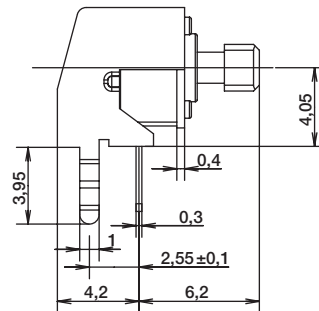
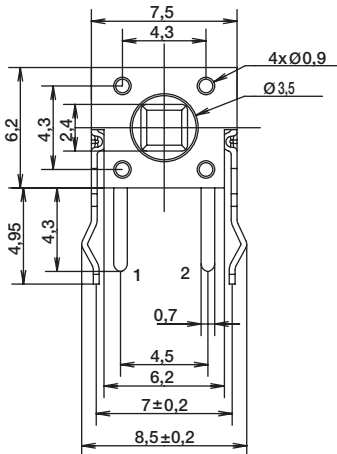
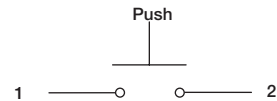
ACTUATOR SHAPE

J SQUARE ACTUATOR

VERTICAL THT - FOR 6,15MM LENGTH ONLY



SCHEMATIC



RECOMMENDED PCB LAYOUT

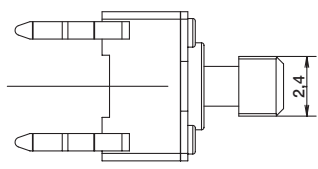
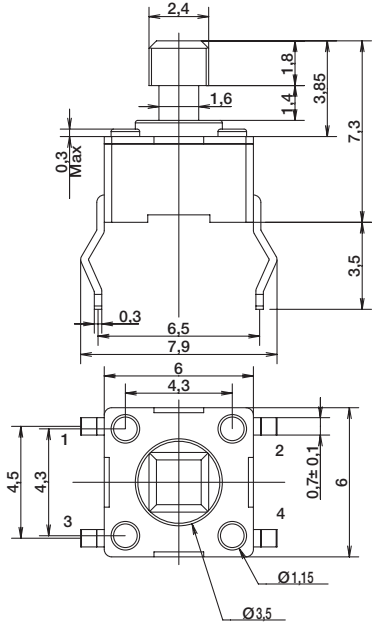


First Angle
Projection

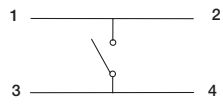
Dimensions are shown: mm
Specifications and dimensions subject to change

ACTUATOR SHAPE

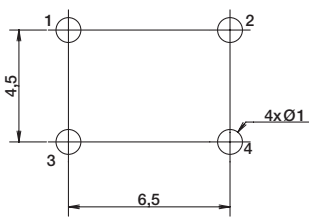
VERTICAL THT - FOR 7,3MM HEIGHT ONLY



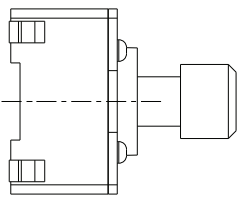
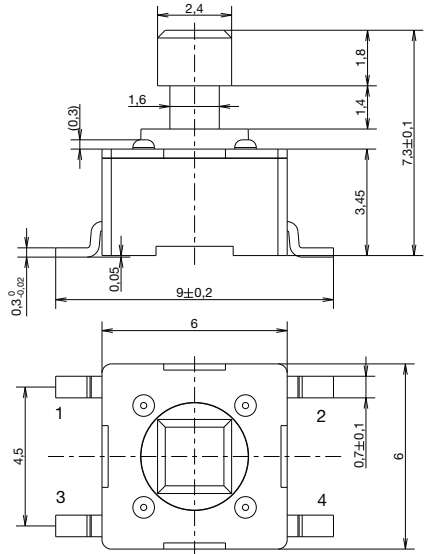
SCHEMATIC



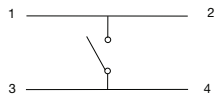
RECOMMENDED PCB LAYOUT



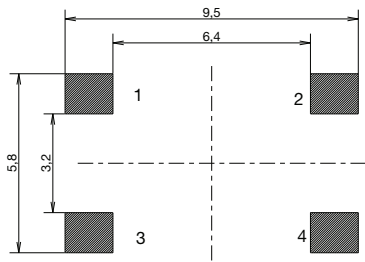
STRAIGHT SMT - FOR 7,3MM HEIGHT ONLY



SCHEMATIC



RECOMMENDED PCB LAYOUT



Tactile Switches

PTS645 Series 6 mm Tact Switches

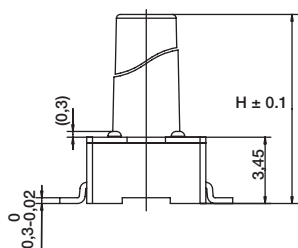
ACTUATION FORCE

OPTION CODE	FORCE
L	130 grams Black
M	160 grams Blue
H	200 grams Gray
K	260 grams Red

Tactile Switches

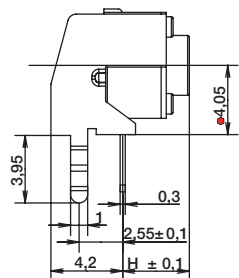
ACTUATOR HEIGHT

Switch height from PCB for S and T only



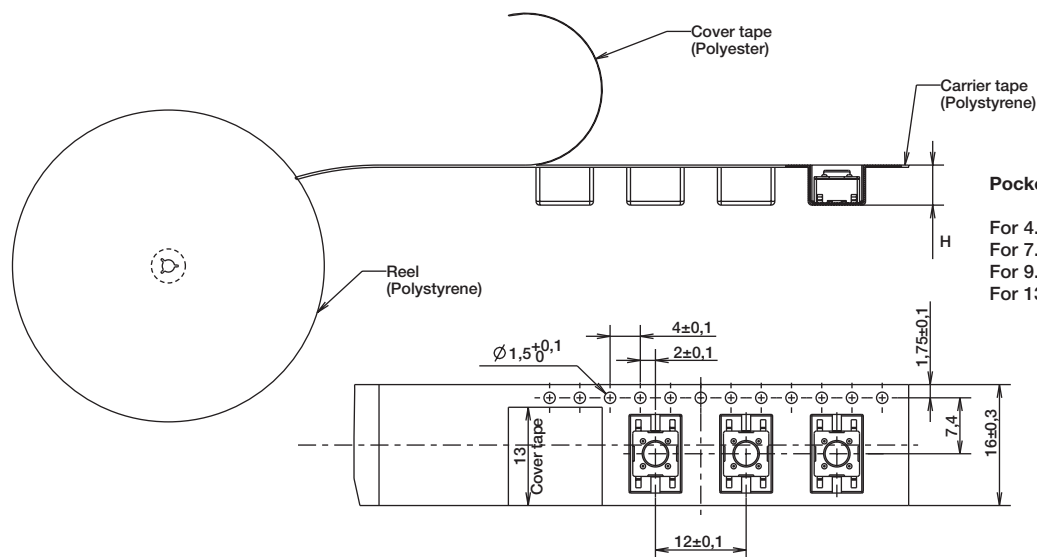
OPTION CODE	DIMENSION H	TERMINATION	SCHEMATIC	
			Without EMC pin	With EMC pin
43	4,3 (.169)	Thru-hole and SMT		
50	5,0 (.197)	Thru-hole and SMT		
70	7,0 (.275)	Thru-hole and SMT		
95	9,5 (.374)	Thru-hole and SMT		
13	13,0 (.512)	SMT		

Switch length from front leads for V only



OPTION CODE	DIMENSION H	TERMINATION	SCHEMATIC	
			Without EMC pin	With EMC pin
31	3,15 (.124)	Vertical		
39	3,85 (.151)	Vertical		
58	5,85 (.230)	Vertical		
83	8,35 (.329)	Vertical		

TAPE & REEL



Pocket Height

For 4.3 and 5.0 mm: Height 5.3 mm
 For 7.0 mm: Height 7.3 mm
 For 9.5 mm: Height 10.3 mm
 For 13.0 mm: Height 13.3 mm

Mouser Electronics

Authorized Distributor

Click to View Pricing, Inventory, Delivery & Lifecycle Information:

C&K Components:

[PTS645TM70LFS](#) [PTS645TK70LFS](#) [PTS645TK95LFS](#)

C&K Switches:

[PTS645SL95](#) [PTS645SL43](#) [PTS645SL70](#) [PTS645SL50](#) [PTS645SH43](#) [PTS645SH70](#) [PTS645SH95](#) [PTS645SH50](#)
[PTS645SL43SM](#) [PTS645TJL73](#) [PTS645SJL73](#) [PTS645TH43](#) [PTS645TH50](#) [PTS645TH95](#) [PTS645TH70](#)
[PTS645VL83](#) [PTS645VL31](#) [PTS645VL15](#) [PTS645VL58](#) [PTS645VL39](#) [PTS645SH43SM](#) [PTS645TL95](#) [PTS645TL70](#)
[PTS645TL43](#) [PTS645TL50](#) [PTS645VH39](#) [PTS645VH83](#) [PTS645VH15](#) [PTS645VH58](#) [PTS645VH31](#)
[PTS645SM43SMTR LFS](#) [PTS645SH70 LFS](#) [PTS645VL39 LFS](#) [PTS645SL50 LFS](#) [PTS645SJL73 LFS](#)
[PTS645SM43TR LFS](#) [PTS645VH58 LFS](#) [PTS645VL58 LFS](#) [PTS645VL83 LFS](#) [PTS645TL43 LFS](#) [PTS645VH15 LFS](#)
[PTS645VH83 LFS](#) [PTS645SK50TR LFS](#) [PTS645SL70TR LFS](#) [PTS645SM50TR LFS](#) [PTS645SH95 LFS](#)
[PTS645SK43 LFS](#) [PTS645TL70 LFS](#) [PTS645SL70 LFS](#) [PTS645VH39 LFS](#) [PTS645TL50 LFS](#) [PTS645SH50 LFS](#)
[PTS645VL15 LFS](#) [PTS645SK50 LFS](#) [PTS645TH50 LFS](#) [PTS645VH31 LFS](#) [PTS645SK43TR LFS](#)
[PTS645SL50SMTR LFS](#) [PTS645SJH73 LFS](#) [PTS645TH43 LFS](#) [PTS645SL43 LFS](#) [PTS645SH43SMTR LFS](#)
[PTS645SK95 LFS](#) [PTS645SL95 LFS](#) [PTS645VJL61 LFS](#) [PTS645VK39 LFS](#) [PTS645SL17LFS](#) [PTS645SM43LFS](#)
[PTS645SM50LFS](#) [PTS645SM70LFS](#) [PTS645SM95LFS](#) [PTS645SH43LFS](#) [PTS645SK70LFS](#) [PTS645TM43LFS](#)
[PTS645TM50LFS](#) [PTS645TM95LFS](#) [PTS645TH95LFS](#) [PTS645TK43LFS](#) [PTS645TK50LFS](#) [PTS645VM15LFS](#)
[PTS645VM31LFS](#) [PTS645VM39LFS](#) [PTS645VM58LFS](#) [PTS645VM83LFS](#) [PTS645VK15LFS](#) [PTS645VK31LFS](#)
[PTS645VK58LFS](#) [PTS645VK83LFS](#) [PTS645SM50SMTRLFS](#) [PTS645SH50SMTRLFS](#) [PTS645SK43SMTRLFS](#)
[PTS645SK50SMTRLFS](#) [PTS645SJM73LFS](#) [PTS645SJK73LFS](#) [PTS645VJM61LFS](#) [PTS645VJH61LFS](#)
[PTS645VJK61LFS](#) [PTS645TJL73LFS](#) [PTS645TJH73LFS](#) [PTS645TJK73LFS](#)