

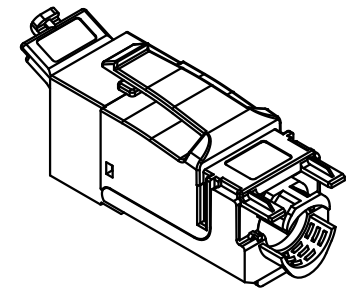
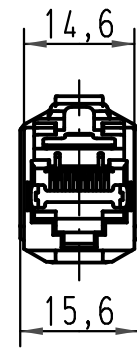
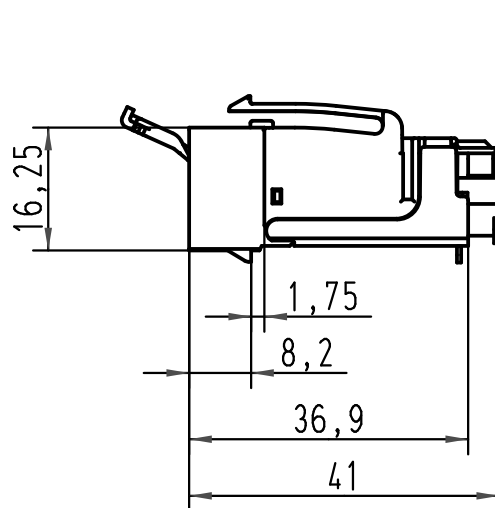
1 2 3 4 5 6

A

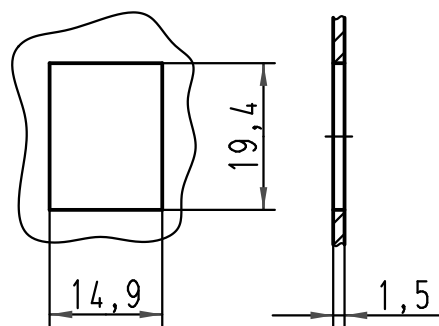
B

C

D



Montageausschnitt  
assembly cut out



All Dimensions in mm Original Size DIN A 4		Techn. Character.			Nicht tolerierte Maß/Free size tolerances	
			Dat.	Name	Maßstab/Scale <b>1:1</b>	preLink Modul RJ45 Buchse Keystone preLink module RJ45 jack, Keystone
		Detail.	20.01.11	Ij		
		Insp.		Loe.		
		Stand.				
A		HARTING Electric GmbH & Co. KG				TB 20 82 500 0001 Sub.
Mod.	Dat.	Name	D-32339 Espelkamp			
						Blatt/page

# Mouser Electronics

Authorized Distributor

Click to View Pricing, Inventory, Delivery & Lifecycle Information:

[HARTING:](#)

[20825000001](#)