

CF-LA

High In-Rush Rocker Switches

Simple Dustproof

UL

C-US UL

ENEC

RoHS Compliant



Features

1. High in-rush rocker switch
2. Rush Solder Terminals
3. Five types of terminal (Solder, Tab, PC Straight, R/A and L/A)
4. Simple dustproof structure (IP40 rating)
5. C-US UL, UL (TV-8) and ENEC approved products.

Specifications

Rating	Max.	16A125VAC or 16A250VAC (Resistive load)
	Min.	5VAC / DC 10mA
Initial contact resistance	20mΩ max.	
Initial Dielectric strength	1500VAC 1minute	
Initial insulation resistance	100MΩ min.	
Operating force	1~8N	
Electrical life	20,000 cycles	
Operating temperature range	-25~+85°C	
Storage temperature range	-40~+85°C	

Approvals

C-US UL、UL : E43275
ENEC : 1312466

Part Numbering

CF-LA — **2** **K** **Z2** — **1** **C**

Series code Number of poles Switching function Terminal style Roker design Packaging spec

Fig.	Number of poles
1	1 pole
2	2 poles

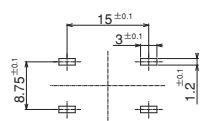
Code	Switching function
A	ON — OFF
K	ON — OFF

Code	Terminal style
C	PC Straight
C4	PC-R/A
C5	PC-L/A
L	Solder Terminals
Z2	TAB:#250

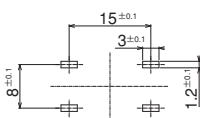
Fig.	Roker design	Fig.	Roker design
1	Unfigured	—	
2	●	5	— ○
3	○	—	

Code	Packaging spec
Blank	Plastic bags
C	Card board Tray

PC Hole Layouts

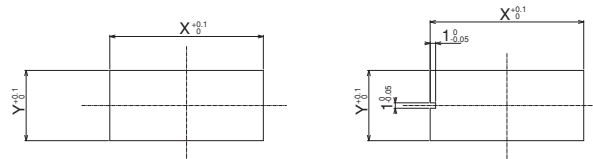


PC

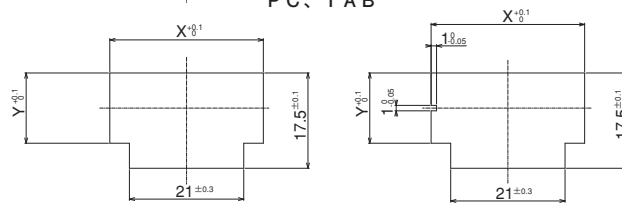


R/A、L/A

Panel Cut-Out Dimensions



PC、TAB



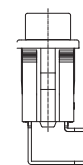
R/A、L/A

R/A

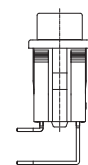
Panel thickness	X	Y
0.75~1.25	28.2	12.9
1.25以上~2	28.4	12.9
2~3	28.8	12.9

Terminal Styles

Solder Terminals (Style:L)	TAB#250 (Style:Z2)	PC Straight (Style:C)	R/A (Style:C4) L/A (Style:C5)



R/A

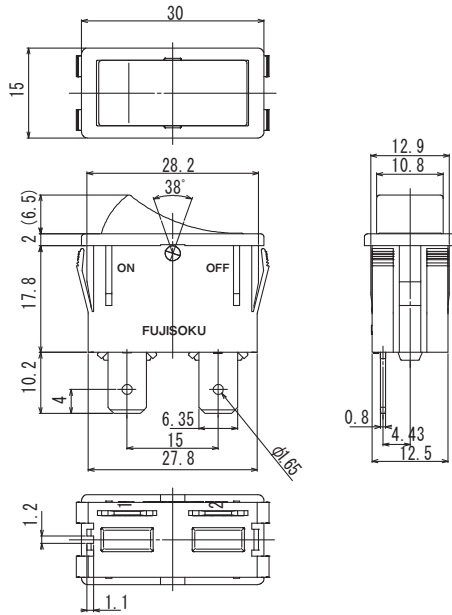


L/A

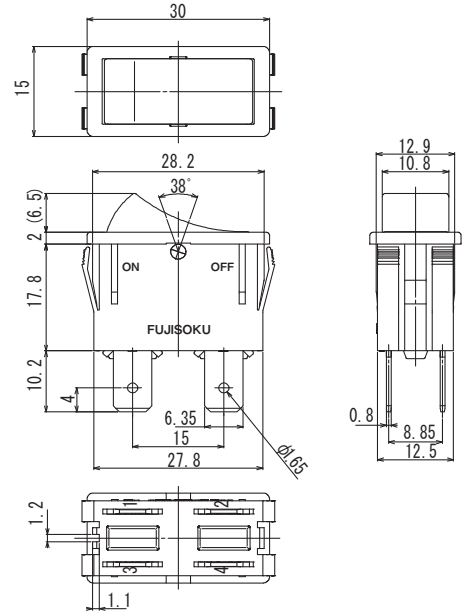
※For the L/A terminal, only two poles are available.

Outline dimensions

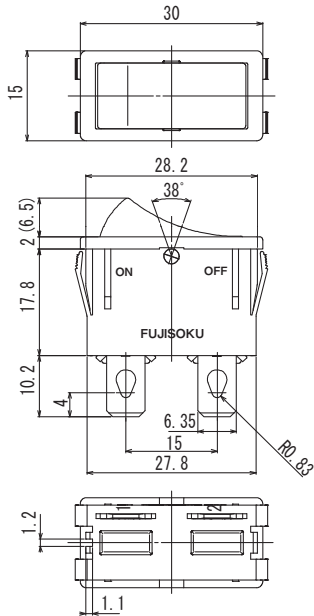
● Tab:#250 1Pole



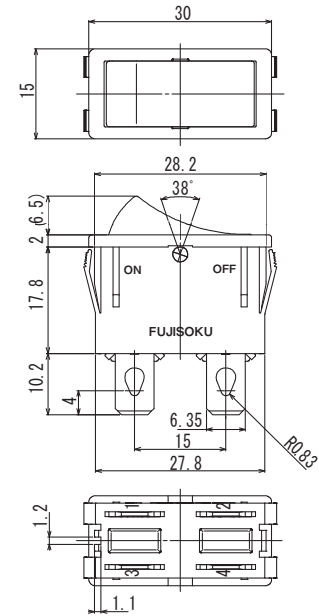
● Tab:#250 2Poles



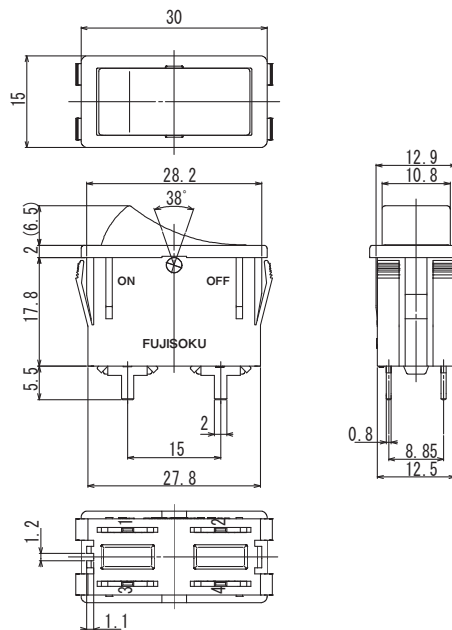
● Solder 1Pole



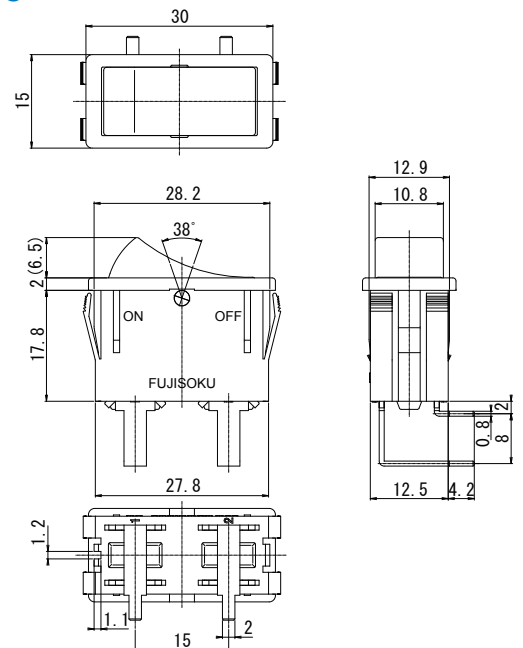
● Solder 2Poles



● P/C 1and2Poles



● PC-L/A 2Poles



List part numbers

Number of poles	Switching function	Terminal style	Rocker design			Pieces in package	Packaging spec
			No marking	●	○		
1 Pole	ON-OFF	PC-R/A	—	—	CF-LA-1AC4-3C	100pcs./pack	Card board Tray
		Solder Terminals	CF-LA-1AL-1C	CF-LA-1AL-2C	—		
		Tab:#250	CF-LA-1AZ2-1C	—	CF-LA-1AZ2-3C		
2 Poles	ON-OFF	PC Straight	—	—	CF-LA-2KC-3C		
		PC-L/A	—	—	CF-LA-2KC5-3C		
		Solder Terminals	CF-LA-2KL-1C	—	—		
		Tab:#250	CF-LA-2KZ2-1C	—	CF-LA-2KZ2-3C		
1 Pole	ON-OFF	PC-R/A	—	—	CF-LA-1AC4-3	5pcs./pack	Plastic bags
		Solder Terminals	CF-LA-1AL-1	CF-LA-1AL-2	CF-LA-1AL-3		
		Tab:#250	CF-LA-1AZ2-1	—	CF-LA-1AZ2-3		
2 Poles	ON-OFF	Tab:#250	—	CF-LA-2KZ2-2	CF-LA-2KZ2-3		

Number of poles	Switching function	Terminal style	Rocker design			Pieces in package	Packaging spec
			—	— ○	—		
2 Poles	ON-OFF	Tab:#250	—	CF-LA-2KZ2-5C	—	100pcs./pack	Card board Tray
2 Poles	ON-OFF	PC Straight	—	CF-LA-2KC-5	—	5pcs./pack	Plastic bags
		Tab:#250	—	CF-LA-2KZ2-5	—		

Soldering Specifications

(1) Auto Soldering

Device : Jet wave type or dip type
260°C ; 5-6 seconds, Max.

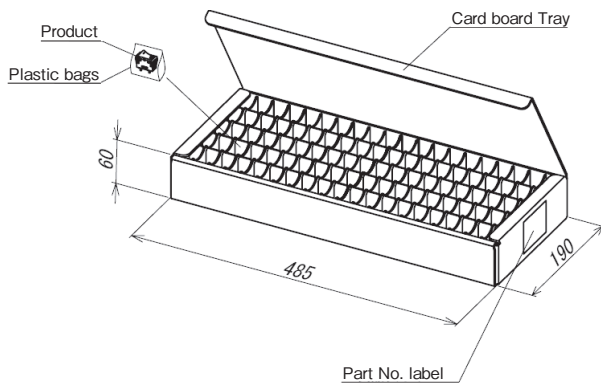
- Pre-heating should be done at temperatures ranging from 80°C to 150°C and within 2 or 3 minutes
The auto soldering is applicable to the PC terminals only.

(2) Manual Soldering

Device : Soldering iron
380°C, Max.; 3 seconds, Max.

Packing Specification

Card board Tray(100pcs. / pack)



Plastic bags (5pcs. / pack)

[Product packaging box]

