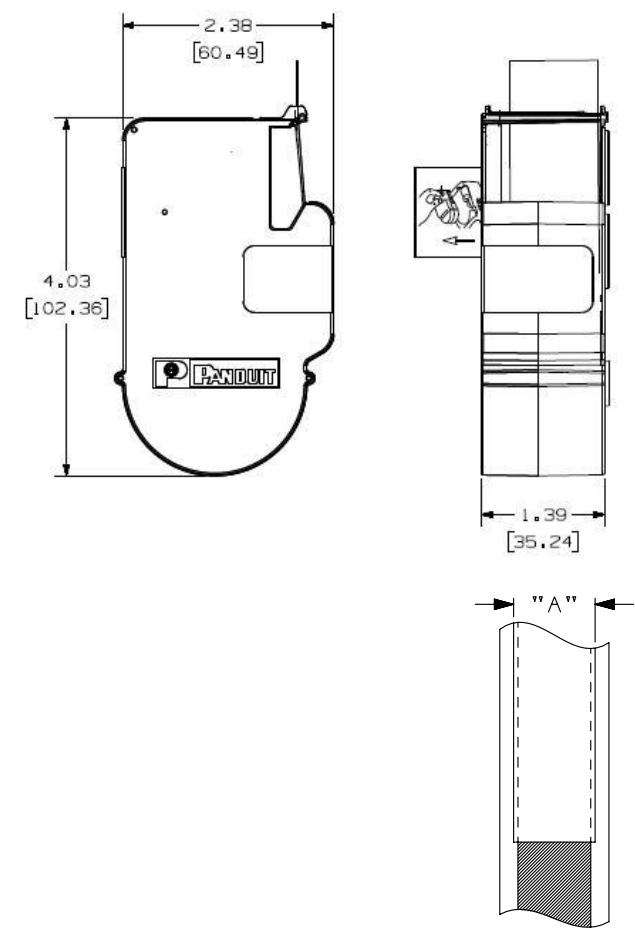


THIS COPY IS PROVIDED ON A RESTRICTED BASIS AND IS NOT TO BE USED IN ANY WAY DETRIMENTAL TO THE INTERESTS OF PANDUIT CORP.



PART NO.	PANDUIT TUBING P/N	COLOR	Part Description	TUBING +/- 0.050 WIDTH "A"	ROLL LENGTH
H000X025H1C	GMUHS31	WHITE	1/8" dia. H.S. Polyolefin 22-16 AWG	.25 [6.35] REF.	96.0"
H000X034H1C	GMUHS31	WHITE	3/16" dia. H.S. Polyolefin 18-12 AWG	.34 [8.64] REF.	96.0"
H000X044H1C	GMUHS31	WHITE	1/4" dia. H.S. Polyolefin 16-10 AWG	.44 [11.18] REF.	72.0"
H000X064H1C	GMUHS31	WHITE	3/8" dia. H.S. Polyolefin 12-6 AWG	.64 [16.26] REF.	72.0"
H000X084H1C	GMUHS31	WHITE	1/2" dia. H.S. Polyolefin 8-1 AWG	.84 [21.34] REF.	72.0"
H000X025H2C	GMUHS31	YELLOW	1/8" dia. H.S. Polyolefin 22-16 AWG	.25 [6.35] REF.	96.0"
H000X034H2C	GMUHS31	YELLOW	3/16" dia. H.S. Polyolefin 18-12 AWG	.34 [8.64] REF.	96.0"
H000X044H2C	GMUHS31	YELLOW	1/4" dia. H.S. Polyolefin 16-10 AWG	.44 [11.18] REF.	72.0"
H000X064H2C	GMUHS31	YELLOW	3/8" dia. H.S. Polyolefin 12-6 AWG	.64 [16.26] REF.	72.0"
H000X084H2C	GMUHS31	YELLOW	1/2" dia. H.S. Polyolefin 8-1 AWG	.84 [21.34] REF.	72.0"



NOTES:  
1. DIMENSIONS IN [ ] ARE IN MILLIMETERS.

REV	DATE	BY	CHK	APR	DESCRIPTION	ECN
2	3/21/14	RVU	SEWH	MSAD	REMOVE PN: H000X025F1C, H000X034F1C, H000X044F1C, H000X084F1C. UPDATE FORMAT.	GAECN01759
1	5/21/10	RVU			ADD H000X064H1C AND H000X064H2C.	5992
0	4/21/08	RVU			DRAWING RELEASE.	5403

TITLE <b>P1 LABEL CASSETTE CONTINUOUS HEAT SHRINK</b> CUSTOMER DRAWING					
ITEM REVISION NAME <b>100743BN/10</b>			<b>PANDUIT</b>		
DATASET FILE NAME <b>100743BN_DC_C10692/10C</b>					
UNLESS OTHERWISE SPECIFIED, DIMENSIONAL TOLERANCES ARE: IN (mm) .x ± .1 [2.54]      .xxx ± .005 [0.127] .xx ± .01 [0.25]      ANGLES ± 5°			MATERIAL: <b>SEE TABLE</b>		
DRAWING NUMBER: <b>C10692</b>			DRAWING NUMBER: <b>C10692</b>		
DRAWN BY <b>RVU</b>	DATE <b>4/22/08</b>	CHK <b>MSAD</b>	SCALE <b>RVU</b>	SHT 1 OF 1	
				SIZE <b>A</b>	

# Mouser Electronics

Authorized Distributor

Click to View Pricing, Inventory, Delivery & Lifecycle Information:

Panduit:

[H000X064H1C](#) [H000X064H2C](#)