

# SAFETY ORGANIZATIONS

THIS FILTER HAS BEEN FORMALLY RECOGNIZED, CERTIFIED OR APPROVED BY THE LISTED AGENCY. THEREFORE, ALL TEST/REQUIREMENTS SPECIFIED IN THE LATEST REVISION OF THE FOLLOWING AGENCY STANDARDS HAVE BEEN MET:

UL RECOGNIZED                      UL1283  
 CSA CERTIFIED                    CSA 22.2, NO.0,0.4,8  
 VDE APPROVED                    VDE 565-3,625

LINE VOLTAGE/CURRENT:        5 AMP, 120/250 VAC  
     4 AMP/40°C, 250 VAC  
     4 AMP./40

LINE FREQUENCY: 50-60Hz

# OPERATING SPECIFICATIONS

MAXIMUM LEAKAGE CURRENT, EACH: .25 mA AT 120V 60Hz  
 LINE TO GROUND: .42 mA AT 250V 50Hz

OPERATING AMBIENT TEMP. RANGE: -10°C TO +40°C @ RATED CURRENT, I<sub>r</sub>

IN AN AMBIENT, T<sub>0</sub>, HIGHER THAN 40°C, THE MAXIMUM OPERATING CURRENT, I<sub>0</sub>, IS AS FOLLOWS:

$$I_0 = I_r \sqrt{\frac{85 - T_0}{45}}$$

# RELIABILITY SPECIFICATIONS:

STORAGE TEMPERATURE: -40°C TO +85°C  
 HUMIDITY: 21 DAYS @ 40°C 95% RH.  
 CURRENT OVERLOAD TEST: 6 TIMES RATED CURRENT FOR 8 SECONDS.

# TEST SPECIFICATIONS:

INDUCTANCE: .93mH NOMINAL  
 CAPACITANCE: (MEASURED @ 1KHz, 0.250VAC MAX., 25°C±1°C.  
 LINE TO GROUND: .01µF ±20%  
 LINE TO LINE: .005µF ±20%  
 DISCHARGE RESISTOR: 1.5 Ω

LINE/GROUND AND LINE/LINE: 6000M (MIN.) AT 100VDC  
 INSULATION RESISTANCE: 20°C AND 50% RH.

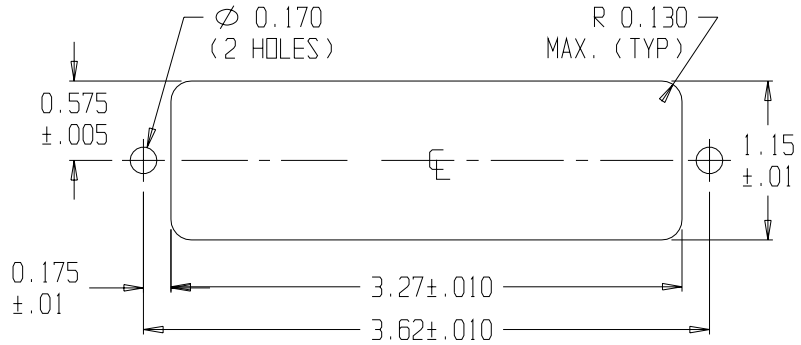
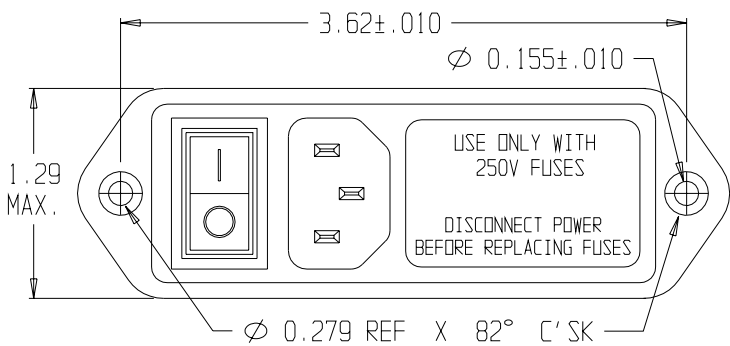
# RECOMMENDED RECEIVING INSPECTION HIPOT:

LINE TO GROUND: 1500 VAC FOR 1 MINUTE  
 LINE TO LINE: 1450 VDC FOR 1 MINUTE

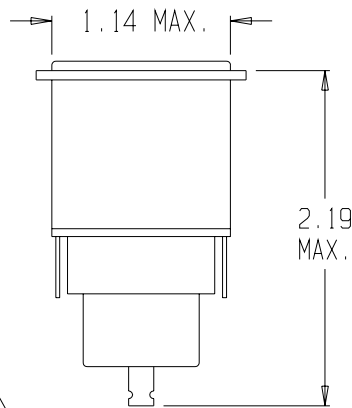
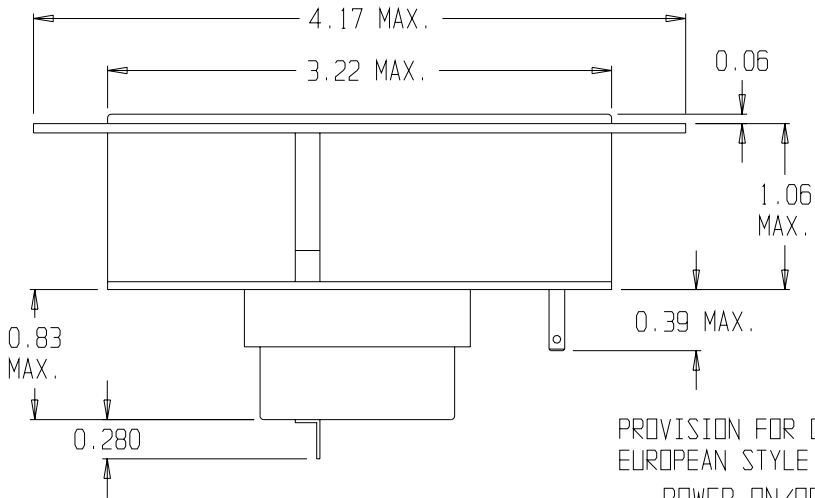
# FILTER APPROVAL:

THE BEST WAY TO SELECT AND QUALIFY A FILTER IS FOR YOUR ENGINEERING TO TEST THE UNIT IN YOUR EQUIPMENT.

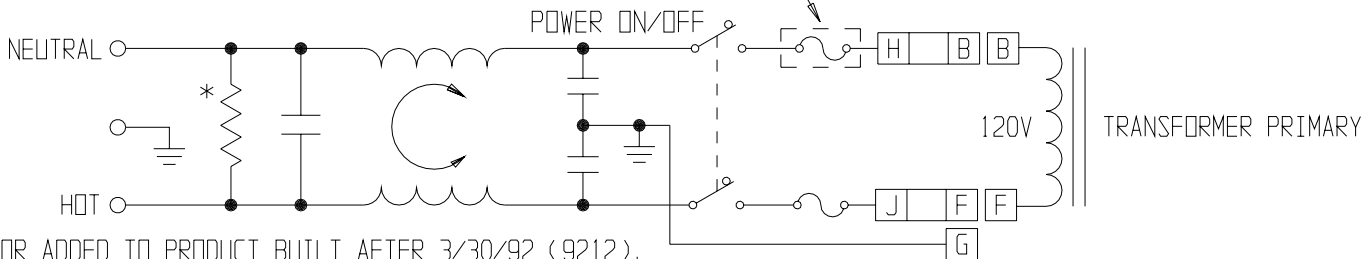
ECN #	DATE
/	



# RECOMMENDED PANEL CUTOUT



PROVISION FOR DUAL EUROPEAN STYLE FUSING



# 50Ω - 50Ω (MINIMUM) INSERTION LOSS

FREQUENCY MHz	.15	.50	1.0	2.0	5.0	10	20	30				
COMMON dB	14	21	26	33	40	45	50	40				
DIFF. dB												

THIRD ANGLE PROJECTION

UNLESS OTHERWISE SPECIFIED, TOLERANCE TO BE ±.025 MATERIAL & FINISH: AS SUPPLIED



# POWER LINE FILTER

This document is proprietary to CORCOM INC. and is not to be reproduced nor used for manufacturing purposes except on CORCOM'S prior written consent.

CAD FILE: C:\CK\CON\5EFM1S07	DATE: 7/9/96	CATALOG NO.	REV.
SCALE: NTS	DRW. BY: JF	5EFM1S	07
	DRIG: KAW		

# Mouser Electronics

Authorized Distributor

Click to View Pricing, Inventory, Delivery & Lifecycle Information:

[TE Connectivity:](#)

[5EFM1S](#)