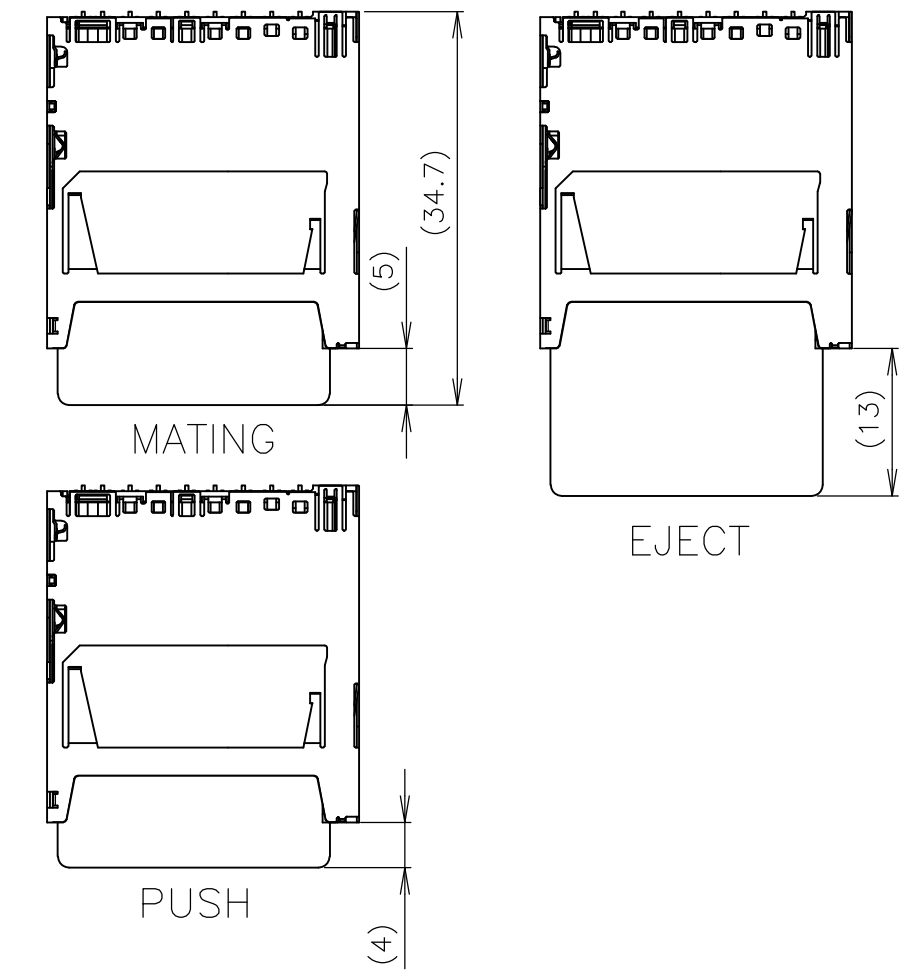
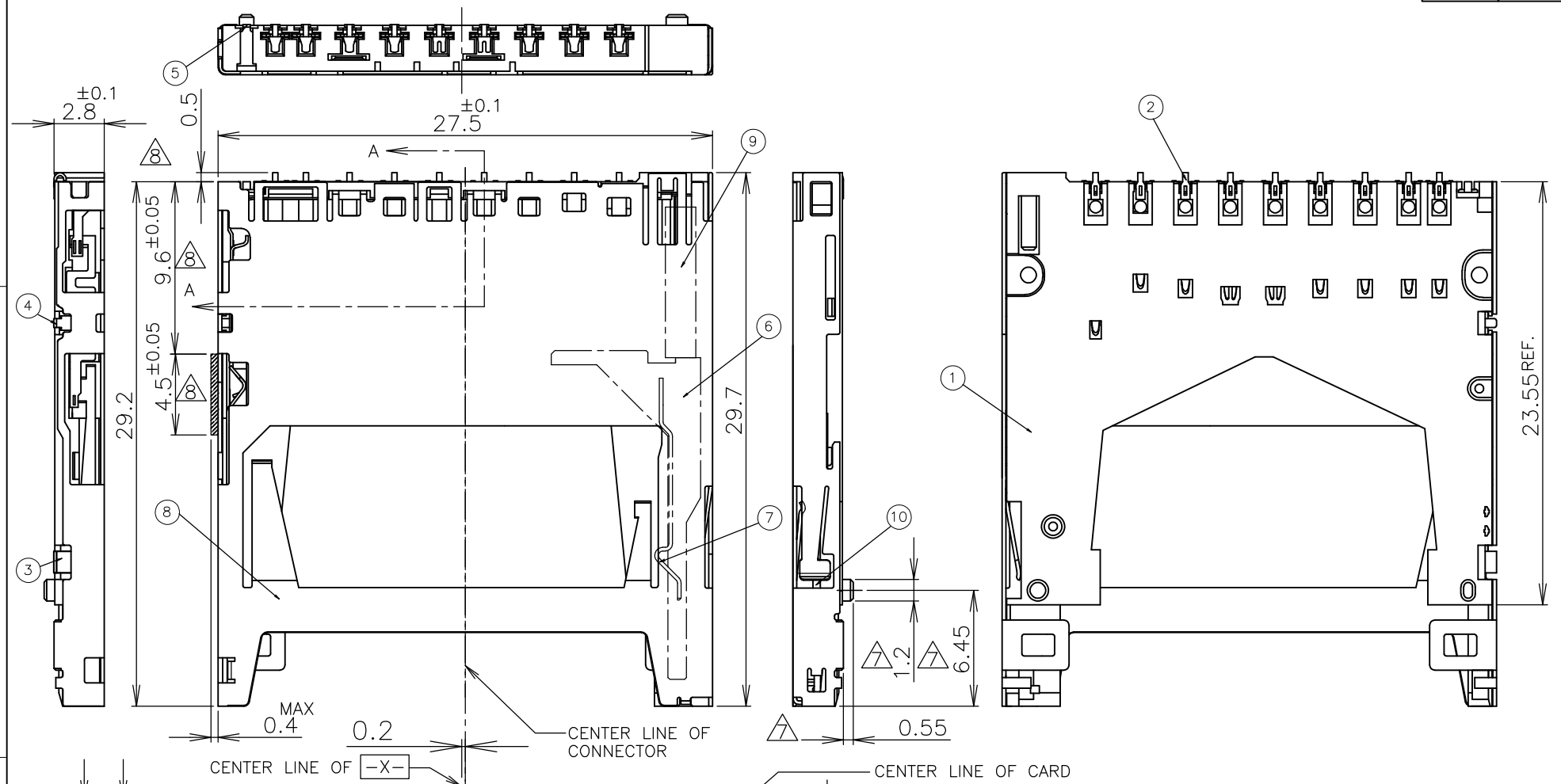


THIS DRAWING IS UNPUBLISHED. RELEASED FOR PUBLICATION MAR , 2003.  
 © COPYRIGHT 2004 By Tyco Electronics JAPAN G.K. ALL RIGHTS RESERVED.

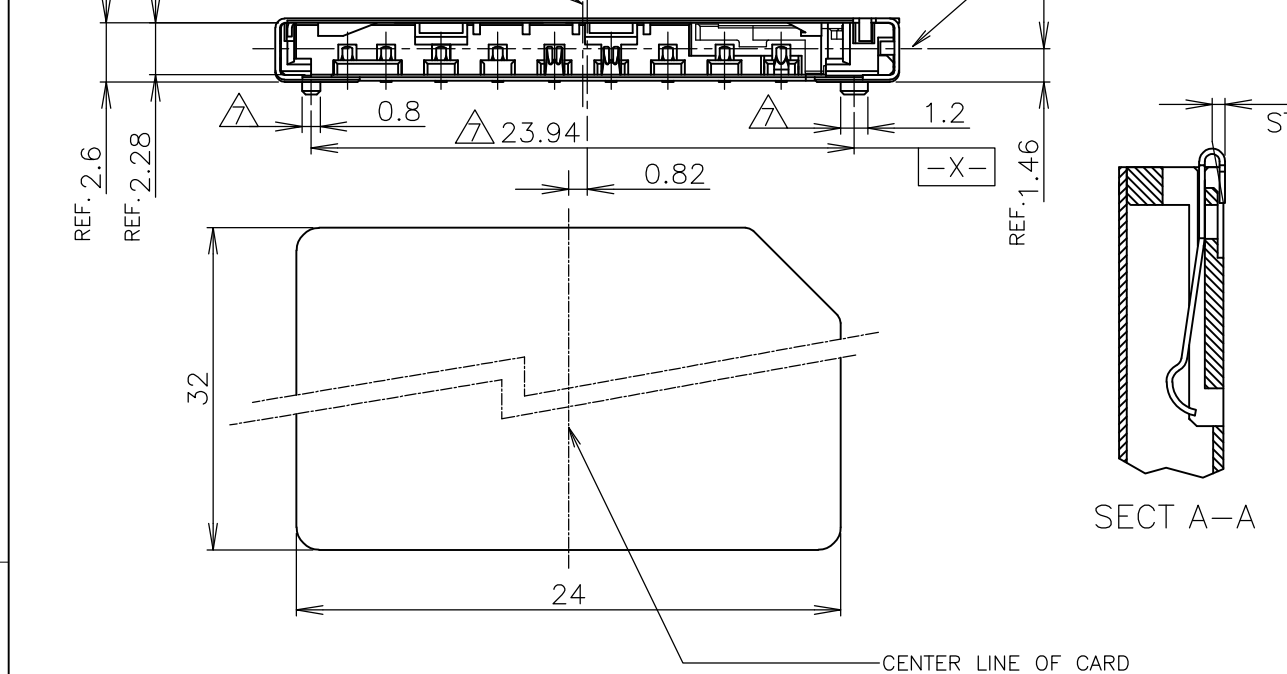
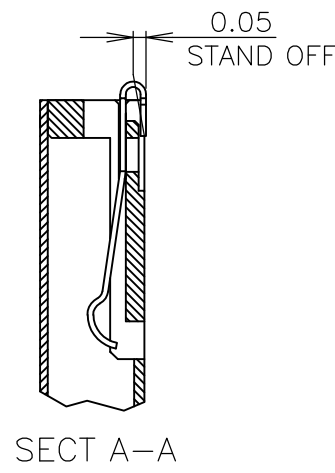
LOC	DIST	REVISIONS			
P	LTR	DESCRIPTION	DATE	DWN	APVD
J	/	D REVISED	23JUN2014	J.T	K.K



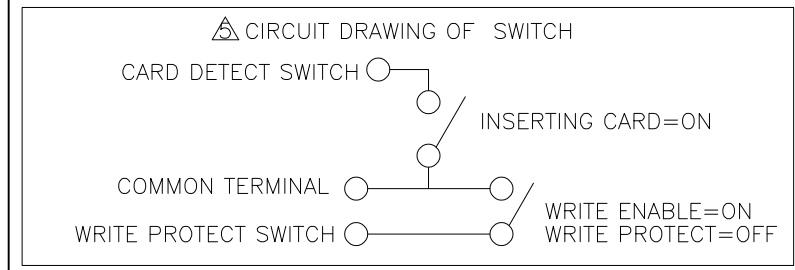
CARD LOCATION WHEN OPERATING

ITEM	DESCRIPTION	MATERIAL	FINISH	QTY
⑩	CAM ROD	SUS	-	1
⑨	COIL SPRING	SWP	-	1
⑧	SHELL	COPPER ALLOY	TIN PLATE	1
⑦	HOOK SPRING	SUS	-	1
⑥	SLIDER	THERMOPLASTIC	-	1
⑤	SWITCH C	COPPER ALLOY	Au ON CONTACT AREA OVER Ni AND Sn ON SOLDER TINE OVER Ni.	1
④	SWITCH B	COPPER ALLOY	Au ON CONTACT AREA AND SOLDER TINE OVER Ni.	1
③	SWITCH A	COPPER ALLOY	Au ON CONTACT AREA OVER Ni AND Sn ON SOLDER TINE OVER Ni.	1
②	CONTACT	COPPER ALLOY	Au ON CONTACT AREA OVER Ni AND Sn ON SOLDER TINE OVER Ni.	1
①	HOUSING	THERMOPLASTIC	-	1
⑨	MATERIAL		⑨ FINISH	QTY

- △ PAD FOR CARD DETECT SWITCH
- △ PAD FOR COMMON TERMINAL
- △ PAD FOR WRITE PROTECT SWITCH
- 4 THE SEQUENCE OF CONTACT DURING CARD INSERTION  
 PIN #3,4 — PIN #2,5,6,7,8,9  
 CARD DETECT SWITCH — PIN #1
- △ CIRCUIT DRAWING OF SWITCH
- 6 DON'T WASH BY IMMERSING THE CONNECTOR IN FLUID
- △ NO APPLIED TO WITHOUT BOSS TYPE.
- △ SWITCH MOVING AREA
- △ REFER TO THE TABLE FOR MATERIAL AND FINISH.
- 10 COPLANNARITY:0.1MAX.
- 11 PLEASE MOUNT THE SAMPLE AND CONFIRM THE PRESENCE OF TROUBLE.
- 12 ADAPTABLE CARD : SD CARD IN ACCORDANCE WITH STANDARD OF SDA.



CENTER LINE OF CARD  
 -1, -2 : AS SHOWN



IMPOSSIBLE	WITHOUT	1939115-4
IMPOSSIBLE	WITH	1939115-3
POSSIBLE	WITHOUT	1939115-2
POSSIBLE	WITH	1939115-1
REVERSE REFLOW	BOSS	PART NUMBER

THIS DRAWING IS A CONTROLLED DOCUMENT.

DWN T.AOKI 24OCT2005  
 CHK Y.UCHIKAWA 24OCT2005  
 APVD T.KUSUHARA 24OCT2005

TE Connectivity

SD MEMORY CARD CONNECTOR  
 PUSH PUSH TYPE

NAME

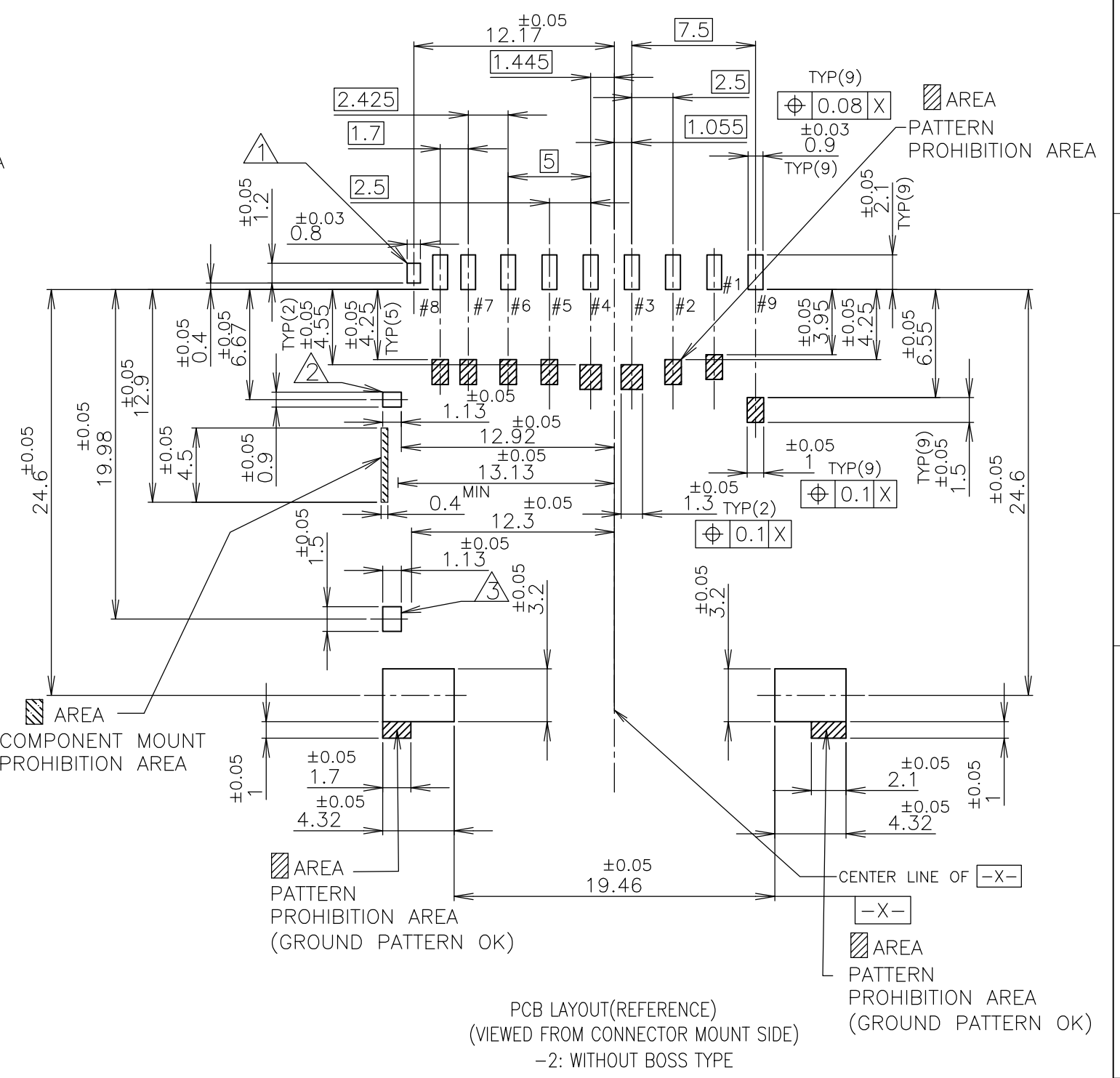
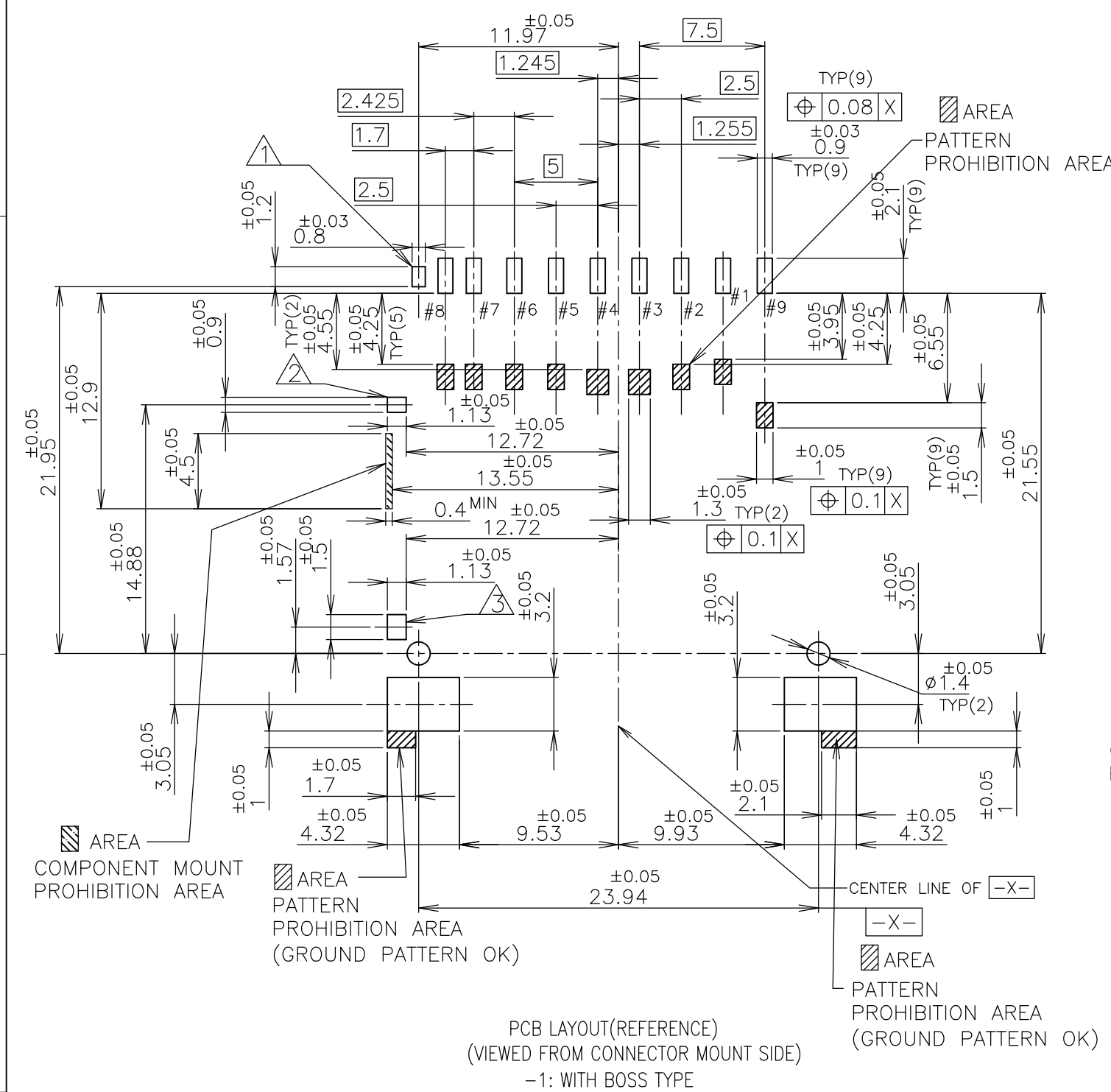
SIZE A3 CAGE CODE 00779 DRAWING NO C-1939115 RESTRICTED TO

SCALE 3:1 SHEET 1 OF 6 REV D

CUSTOMER DRAWING

THIS DRAWING IS UNPUBLISHED. RELEASED FOR PUBLICATION MAR ,2003.  
 © COPYRIGHT 2004 By Tyco Electronics JAPAN G.K. ALL RIGHTS RESERVED.

LOC	DIST	REVISIONS					
		P	LTR	DESCRIPTION	DATE	DWN	APVD
J	/			SEE SHEET 1	-	-	-



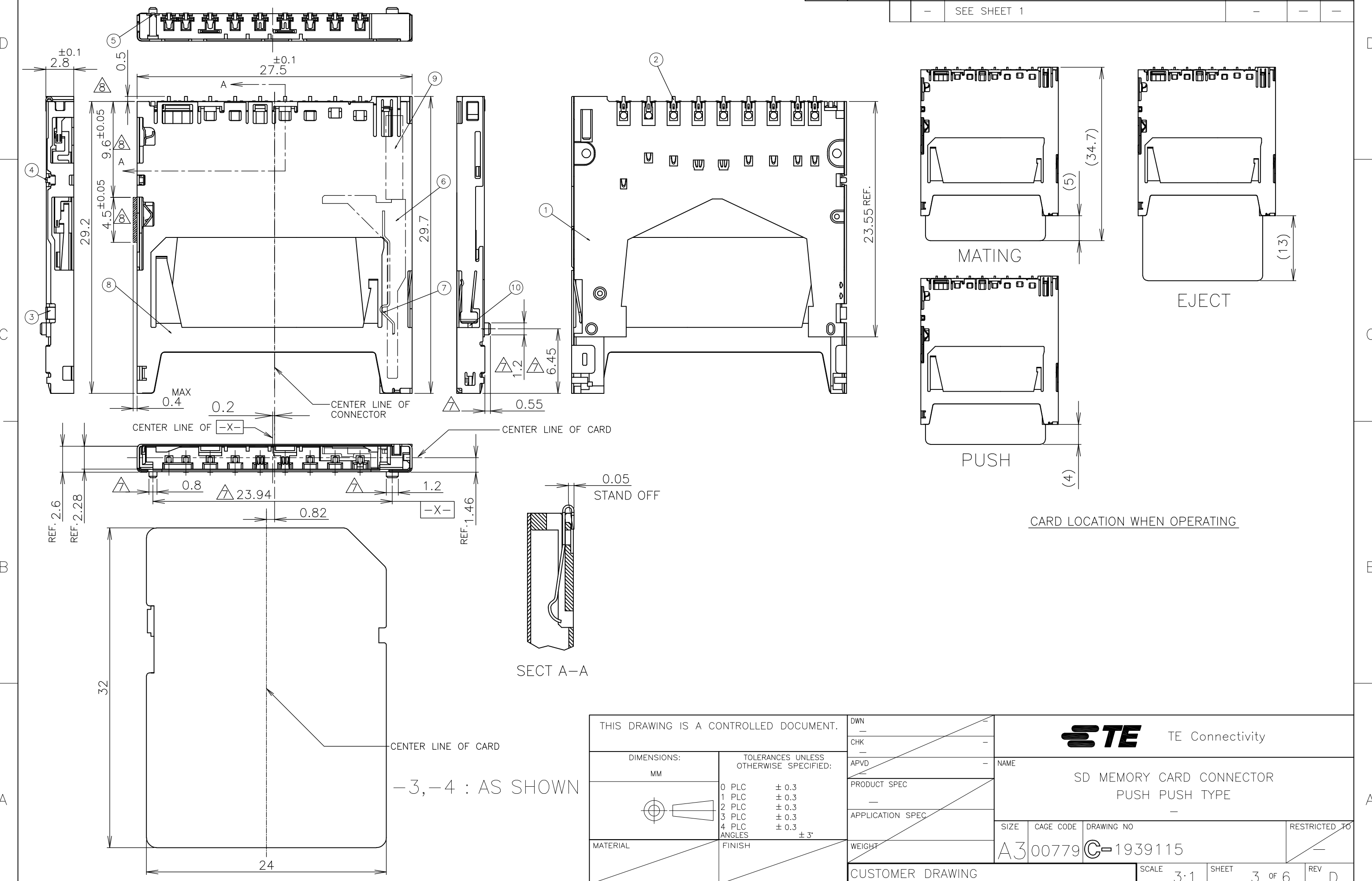
- ▲ カード認識スイッチ用パッド
- ▲ コモン端子用パッド
- ▲ ライトプロテクトスイッチ用パッド
- 4 カード挿入時の接触の順番  
 PIN #3,4 — PIN #2,5,6,7,8,9  
 カード認識スイッチ — PIN #1
- ▲ スwitchの回路図
- 6 本製品は浸漬による洗浄は行わないこと。
- ▲ ボス無しタイプには、適用なし。
- ▲ スwitch可動エリア
- ▲ 材料&仕上げはテーブルを参照のこと。
- 10 コプラナリティ: 0.1mm以下。

11 サンプルを実装して不具合の有無を確認して下さい。  
 12 対応カード: SDAの規格に準拠したSDカード

THIS DRAWING IS A CONTROLLED DOCUMENT.		DWN		TE Connectivity SD MEMORY CARD CONNECTOR PUSH PUSH TYPE				
DIMENSIONS: MM		CHK						
TOLERANCES UNLESS OTHERWISE SPECIFIED:		APVD						
0 PLC ± 0.3 1 PLC ± 0.3 2 PLC ± 0.3 3 PLC ± 0.3 4 PLC ± 0.3 ANGLES ± 3°		NAME						
MATERIAL		FINISH		PRODUCT SPEC				
				APPLICATION SPEC				
				SIZE	CAGE CODE	DRAWING NO	RESTRICTED TO	
				A3	00779	C-1939115		
				CUSTOMER DRAWING		SCALE	SHEET	REV
						3:1	2 OF 6	D

THIS DRAWING IS UNPUBLISHED. RELEASED FOR PUBLICATION MAR , 2003.  
 © COPYRIGHT 2004 By Tyco Electronics JAPAN G.K. ALL RIGHTS RESERVED.

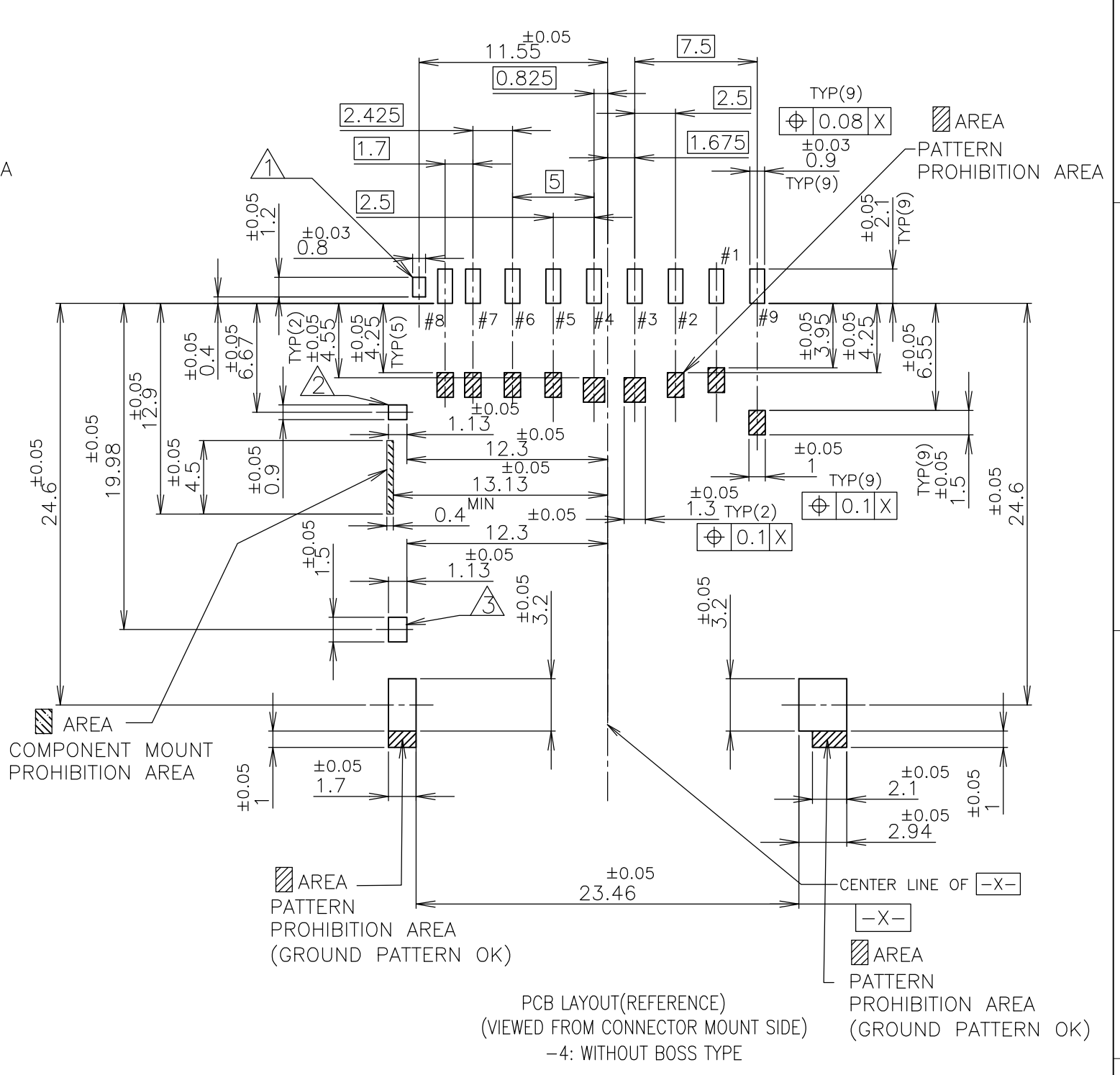
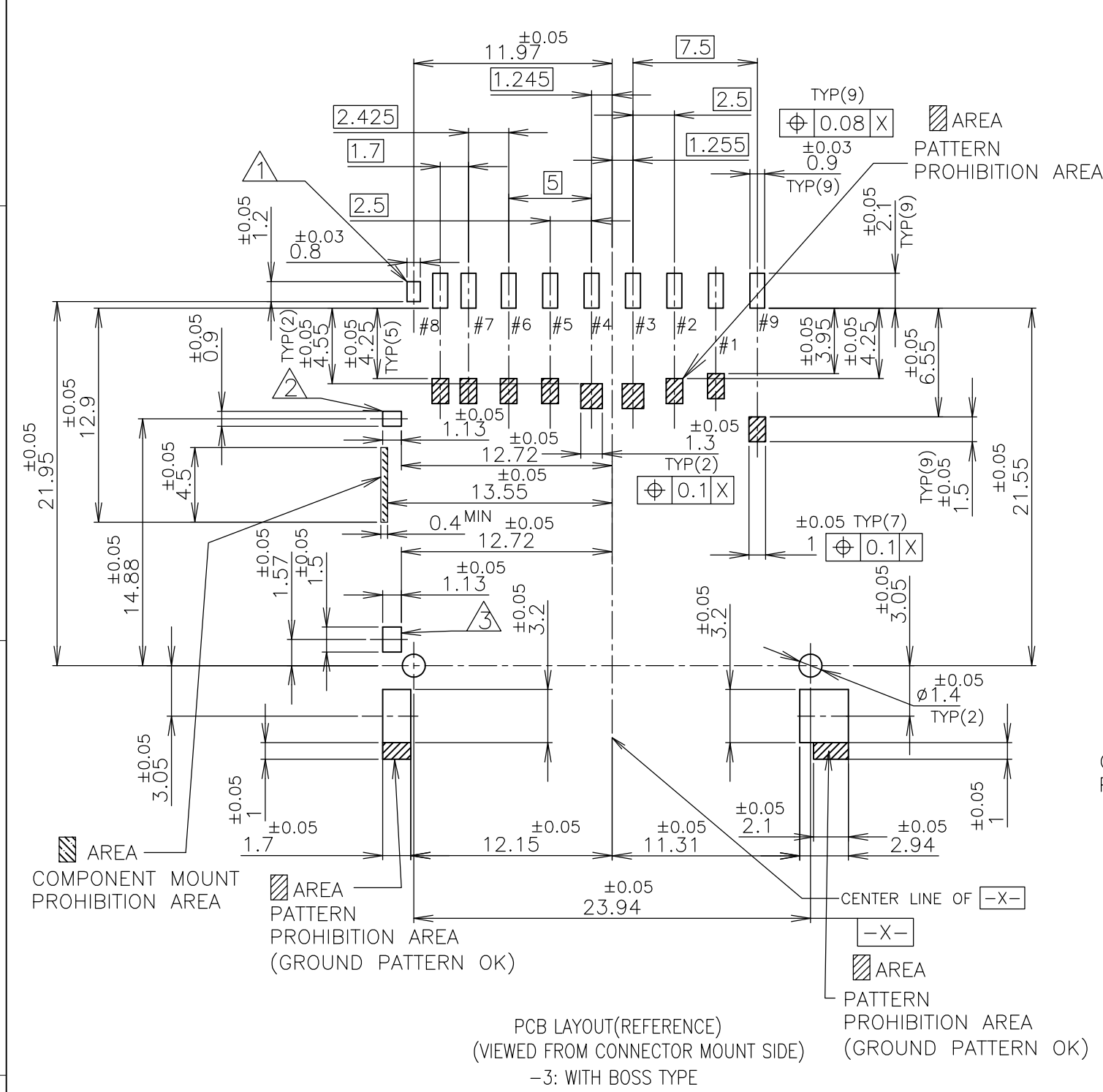
LOC	DIST	REVISIONS			
P	LTR	DESCRIPTION	DATE	DWN	APVD
J	/	SEE SHEET 1	-	-	-



THIS DRAWING IS A CONTROLLED DOCUMENT.		DWN	-	TE Connectivity SD MEMORY CARD CONNECTOR PUSH PUSH TYPE	
DIMENSIONS: MM		CHK	-		
TOLERANCES UNLESS OTHERWISE SPECIFIED:		APVD	-		
0 PLC $\pm 0.3$ 1 PLC $\pm 0.3$ 2 PLC $\pm 0.3$ 3 PLC $\pm 0.3$ 4 PLC $\pm 0.3$ ANGLES $\pm 3'$		PRODUCT SPEC	-		
MATERIAL		FINISH	-	NAME	-
-		WEIGHT	-	APPLICATION SPEC	-
-		-		SIZE	A3
-		-		CAGE CODE	00779
-		-		DRAWING NO	C-1939115
-		-		RESTRICTED TO	-
-		-		SCALE	3:1
-		-		SHEET	3 OF 6
-		-		REV	D
-		-		CUSTOMER DRAWING	-

THIS DRAWING IS UNPUBLISHED. RELEASED FOR PUBLICATION MAR ,2003.  
 © COPYRIGHT 2004 By Tyco Electronics JAPAN G.K. ALL RIGHTS RESERVED.

LOC	DIST	REVISIONS					
		P	LTR	DESCRIPTION	DATE	DWN	APVD
J	/	-	-	SEE SHEET 1	-	-	-

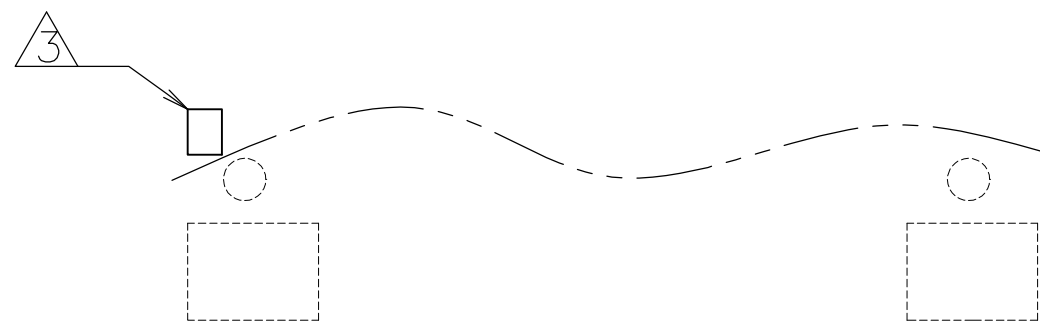
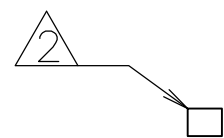
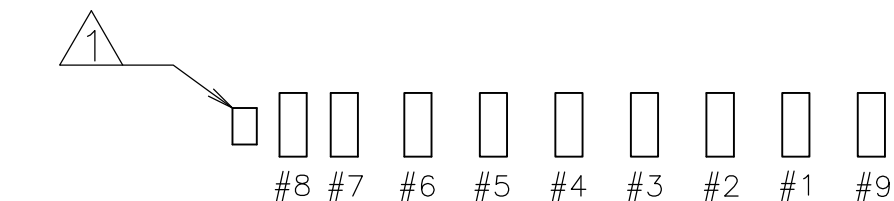


THIS DRAWING IS A CONTROLLED DOCUMENT.		DWN	-		
DIMENSIONS: MM		CHK	-		
TOLERANCES UNLESS OTHERWISE SPECIFIED:		APVD	-		
0 PLC ± 0.3		PRODUCT SPEC	-		
1 PLC ± 0.3		APPLICATION SPEC	-		
2 PLC ± 0.3		WEIGHT	-		
3 PLC ± 0.3		SIZE	A3	CAGE CODE	00779
4 PLC ± 0.3		DRAWING NO	C-1939115		
ANGLES ± 3'		RESTRICTED TO	-		
FINISH		CUSTOMER DRAWING	SCALE	3:1	SHEET
				4 OF 6	REV
					D



SD MEMORY CARD CONNECTOR  
 PUSH PUSH TYPE

LOC J	DIST /	REVISIONS		
P	LTR	DESCRIPTION	DATE	DWN
	-	SEE SHEET 1	-	-



Pin Assignment						
Pin#	SD Mode			SPI Mode		
	Name	Type	Description	Name	Type	Description
1	CD/DAT3	I/O/PP	Card Detect/ Data Line[Bit 3]	CS	I	Chip Select(neg true)
2	CMD	PP	Command/Response	DI	I	Data In
3	Vss1	S	Supply voltage ground	VSS	S	Supply voltage ground
4	Vdd	S	Supply voltage	VDD	S	Supply voltage
5	CLK	I	Clock	SCLK	I	Clock
6	Vss2	S	Supply voltage ground	VSS2	S	Supply voltage ground
7	DAT0	I/O/PP	Data Line[Bit 0]	DO	O/PP	Data Out
8	DAT1	I/O/PP	Data Line[Bit 1]	RSV		
9	DAT2	I/O/PP	Data Line[Bit 2]	RSV		

Switch pin Assignment	
	Card detect switch
	Common terminal
	Write protect switch

THIS DRAWING IS A CONTROLLED DOCUMENT.		DWN -	TE Connectivity		
DIMENSIONS: MM		CHK -			
		APVD -	SD MEMORY CARD CONNECTOR PUSH PUSH TYPE		
TOLERANCES UNLESS OTHERWISE SPECIFIED:		PRODUCT SPEC -	-		
0 PLC ± 0.3 1 PLC ± 0.3 2 PLC ± 0.3 3 PLC ± 0.3 4 PLC ± 0.3 ANGLES ± 3°		APPLICATION SPEC -	SIZE A3	CAGE CODE 00779	DRAWING NO C-1939115
MATERIAL		WEIGHT	RESTRICTED TO		
FINISH		CUSTOMER DRAWING		SCALE 4:1	SHEET 5 of 6

4

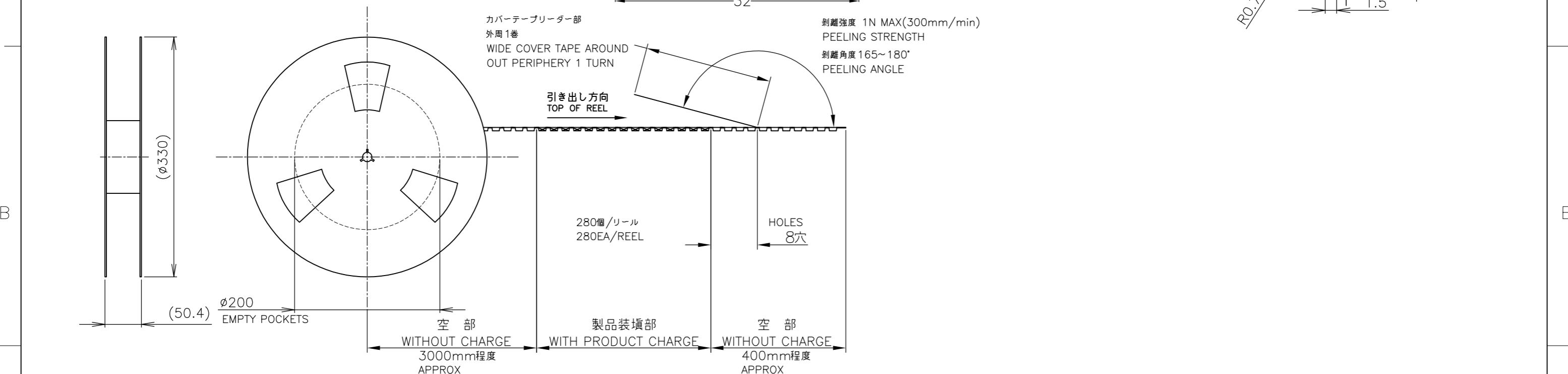
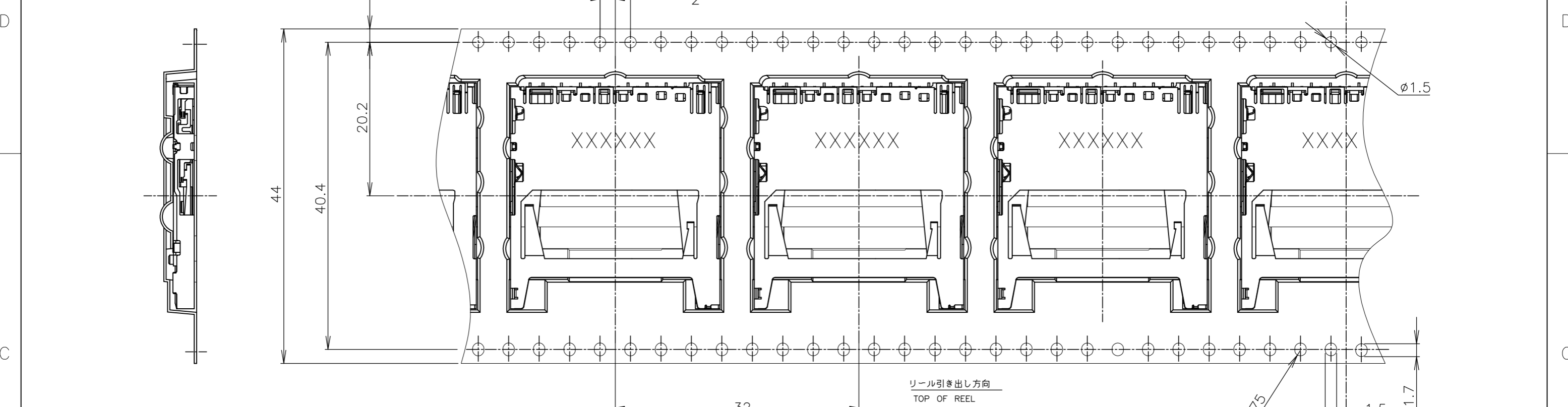
3

2

1

THIS DRAWING IS UNPUBLISHED. RELEASED FOR PUBLICATION MAR , 2003.  
 © COPYRIGHT 2004 By Tyco Electronics JAPAN G.K. ALL RIGHTS RESERVED.

LOC	DIST	REVISIONS			
P	LTR	DESCRIPTION	DATE	DWN	APVD
J	/	SEE SHEET 1	-	-	-



THIS DRAWING IS A CONTROLLED DOCUMENT.		DWN	-	TE Connectivity SD MEMORY CARD CONNECTOR PUSH PUSH TYPE						
DIMENSIONS: MM		CHK	-			NAME				
TOLERANCES UNLESS OTHERWISE SPECIFIED:		APVD	-			PRODUCT SPEC				
0 PLC ± 0.3 1 PLC ± 0.3 2 PLC ± 0.3 3 PLC ± 0.3 4 PLC ± 0.3 ANGLES ± 3°		APPLICATION SPEC				RESTRICTED TO				
MATERIAL		FINISH	WEIGHT		SIZE	CAGE CODE	DRAWING NO	A3 00779 C-1939115		
CUSTOMER DRAWING					SCALE	3:1	SHEET	6 OF 6	REV	D

# Mouser Electronics

Authorized Distributor

Click to View Pricing, Inventory, Delivery & Lifecycle Information:

[TE Connectivity:](#)

[1939115-1](#)