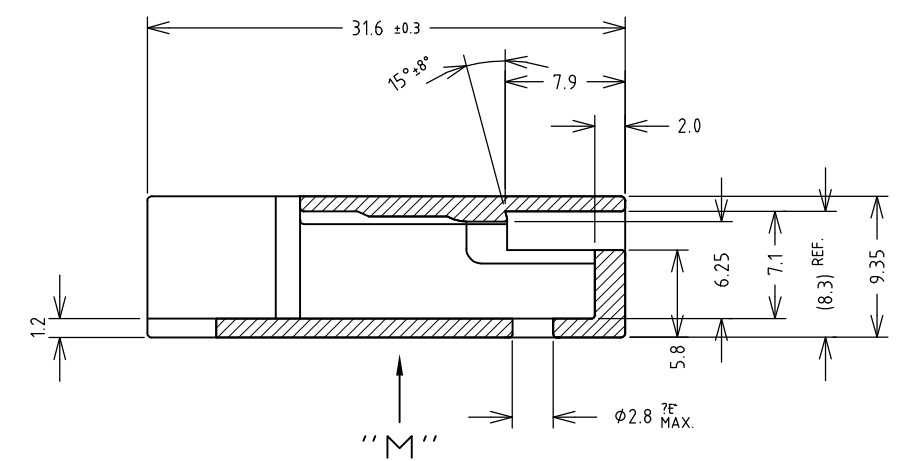
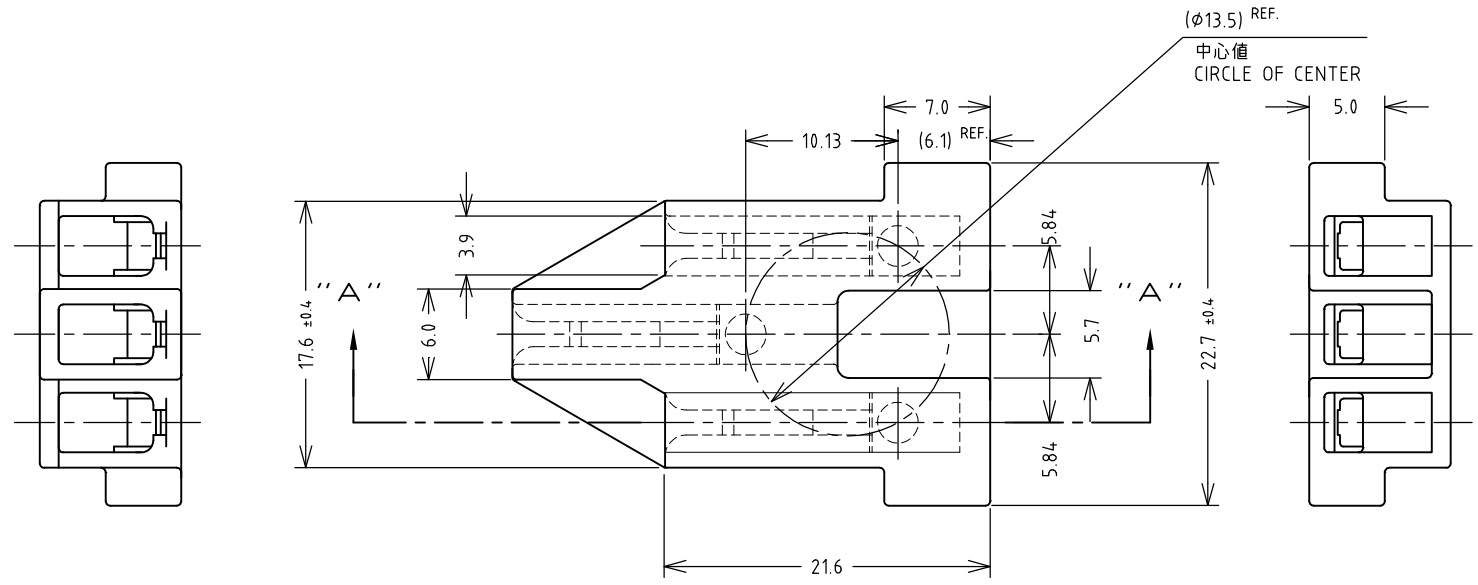
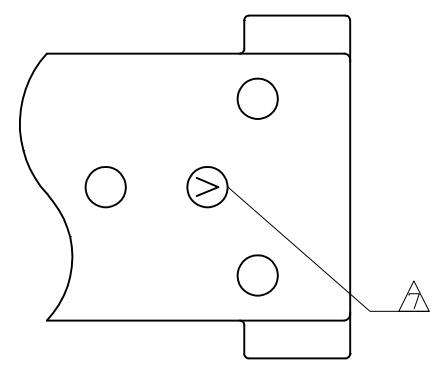


THIS DRAWING IS UNPUBLISHED. RELEASED FOR PUBLICATION MAY, 21 .
 © COPYRIGHT 02 By - ALL RIGHTS RESERVED.

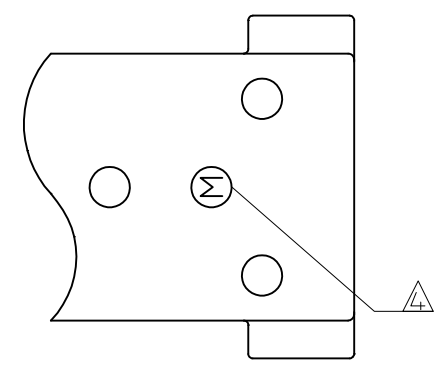
LOC	DIST	REVISIONS					
		P	LTR	DESCRIPTION	DATE	DWN	APVD
J	-	P4		REVISED AS PER ECR-15-018360	17DEC2014	MKD	RRP



断面 "A" - "A"
SECT



矢視 "M" 1-171370-2
VIEW



矢視 "M" 1-171370-1
VIEW

注記:

- 一般公差 : ±0.2
- 適用ピン リセプタクル型番 : □-170063-□, □-353937-□, □-1123655-□
- 適用規格番号 : 108-5143 (型番171370-1, 1-171370-1)
- 裏面上I.Dマーク : 型番1-171370-1のみ M 表示 文字の向きは任意とする。
- ミュールスRタイプ: UL94V-0, CTI 600V
- フェノール ノンアンモニア: UL94V-0, CTI 175 ~ 249V以上
- 裏面上I.Dマーク : 型番1-171370-2のみ L 表示 文字の向きは任意とする。

NOTES:

- GENERAL TOLERANCE ±0.2
- APPLICABLE CONTACT PART No.: □-170063-□, □-353937-□, □-1123655-□
- PRODUCT SPEC No.: 108-5143 (FOR PART No.171370-1 AND 1-171370-1)
- I.D MARK ON REAR SIDE : INDICATION M AT PART No.1-171370-1 ONLY. DIRECTION OF CHARACTERS IS FREE.
- MEWLUS "R" TYPE : UL94V-0, CTI 600V MIN
- PHENOLIC NONAMMONIA UL94V-0, CTI 175 ~ 249V
- I.D MARK ON REAR SIDE : INDICATION L AT PART No.1-171370-2 ONLY. DIRECTION OF CHARACTERS IS FREE.

△ 1-171370-2	△ フェノール (PHENOLIC)	黒 (BLACK)
△ 1-171370-1	△ ミュールス Rタイプ (MEWLUS "R" TYPE)	黒 (BLACK)
171370-1	フェノリック (PHENOLIC)	黒 (BLACK)
型番 (PART No.)	材料 (MATERIAL)	色 (COLOR)

THIS DRAWING IS A CONTROLLED DOCUMENT.		DWN M.SUZUKI 21MAY2002	TE Connectivity	
DIMENSIONS: 単位: 耗 mm		CHK M.SHINDO 21MAY2002		
TOLERANCES UNLESS OTHERWISE SPECIFIED: 一般公差		APVD M.SHINDO 21MAY2002	NAME 名称	
0 PLC ±		PRODUCT SPEC 製品規格	2.3 DIA CLUSTER BLOCK	
1 PLC ±		APPLICATION SPEC 取付適用規格	Φ2.3 クラスタブロック	
2 PLC ±		WEIGHT	SIZE A3	CAGE CODE 00779
3 PLC ±		CUSTOMER DRAWING	DRAWING NO 番号	RESTRICTED TO
4 PLC ±			G-171370	
ANGLES ±		SCALE 尺度 4:1	SHEET 1 of 3	REV P4
FINISH 仕上				
MATERIAL 材料 SEE TABLE				

THIS DRAWING IS UNPUBLISHED.

RELEASED FOR PUBLICATION MAY, 21

ALL RIGHTS RESERVED.

© COPYRIGHT 02 By -

LOC J

DIST

REVISIONS

変更

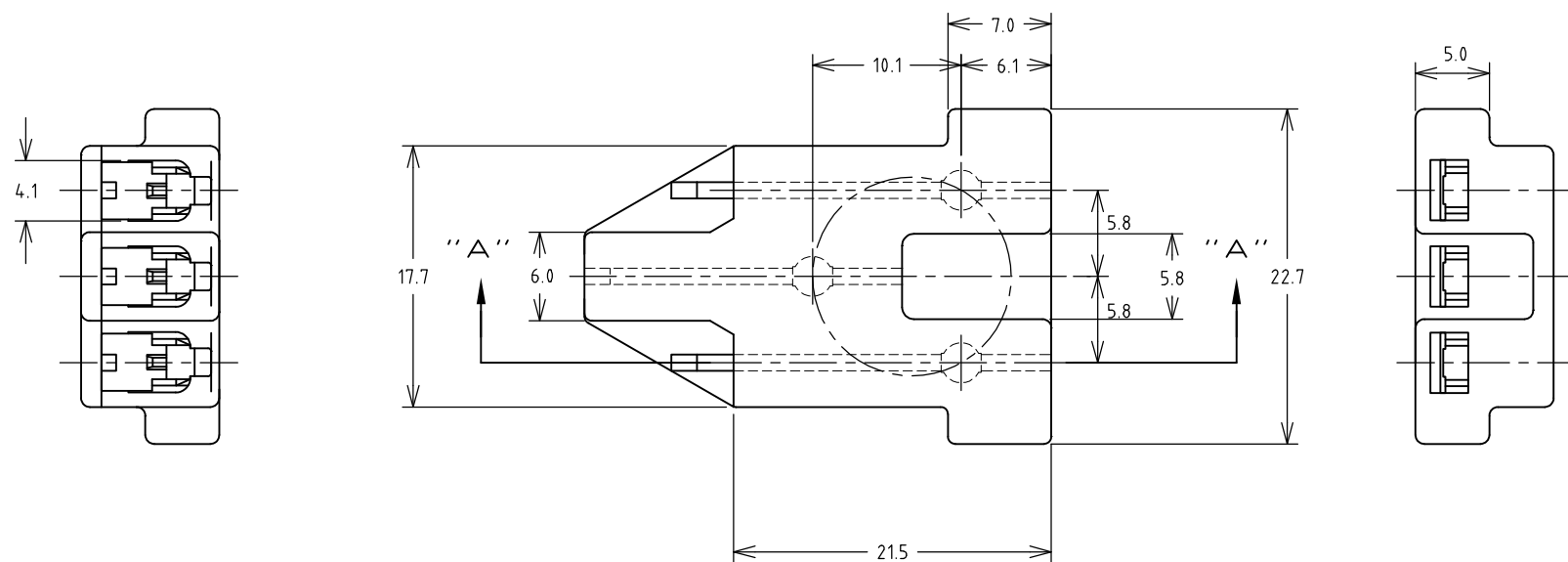
DESCRIPTION

DATE

DWN

APVD

SEE SHEET 1



注記:

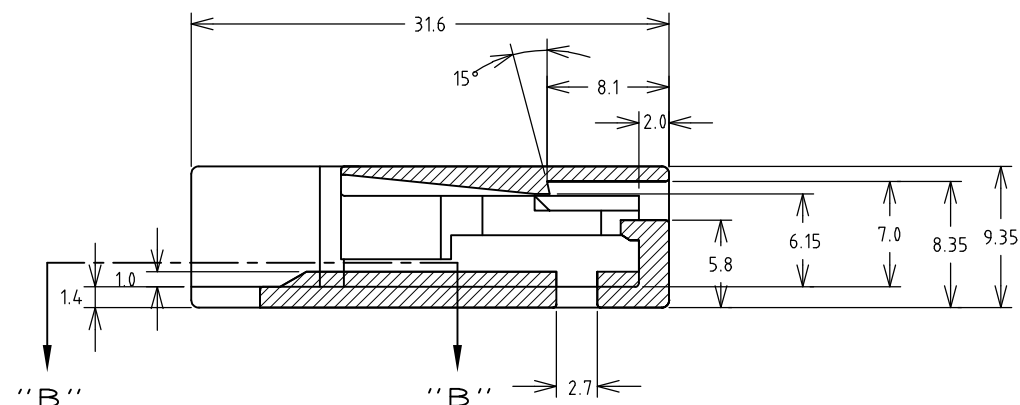
- 1. 一般公差 : ±0.2
- 2. 適用ピン リセプタクル型番 : □-170063-□, □-353937-□, □-1123655-□
- 3. 適用規格番号: 108-5205(型番171370-3)
108-61239(型番171370-4)
108-5541(型番171370-5)

- △4 PARTS COMPLY WITH GLOW WIRE 750 PER IEC 60335-1.
- △5 MUST BE APPLIED ON THE OUTSIDE OF COMPRESSOR.

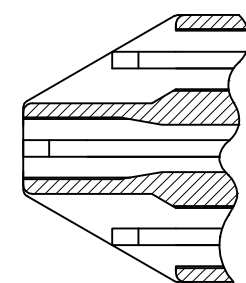
NOTES:

- 1. GENERAL TOLERANCE ±0.2
- 2. APPLICABLE CONTACT PART No.:
□-170063-□, □-353937-□, □-1123655-□
- 3. PRODUCT SPEC No.: 108-5205(FOR PART No.171370-3)
108-61239(FOR PART No.171370-4)
108-5541(FOR PART No.171370-5)

- △4 GLOW WIRE 750(IEC 60335-1), CTI 600V(HALOGEN FREE)
- △5 MUST BE APPLIED ON THE OUTSIDE OF COMPRESSOR.



断面 "A" - "A" SECT



断面 "B" - "B" SECT

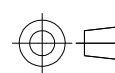
△4 △5

171370-5	PBT ガラス強化 PBT GLASS FILLED(UL94V-0)	灰色 (GRAY)
171370-4	PBT ガラス強化 PBT GLASS FILLED(UL94V-0)	黒 (BLACK)
171370-3	PBT ガラス強化 PBT GLASS FILLED(UL94HB)	自然色 (NATURAL)
型番 (PART No.)	材料 (MATERIAL)	色 (COLOR)

THIS DRAWING IS A CONTROLLED DOCUMENT.

DIMENSIONS:
単位: 耗
mm

TOLERANCES UNLESS
OTHERWISE SPECIFIED:
一般公差



0 PLC	±
1 PLC	±
2 PLC	±
3 PLC	±
4 PLC	±
ANGLES	±

MATERIAL
材料
SEE TABLE

FINISH
仕上

DWN

CHK

APVD

PRODUCT SPEC

製品規格

APPLICATION SPEC

取付適用規格

WEIGHT

STE TE Connectivity

NAME
名称
2.3 DIA CLUSTER BLOCK

製品規格
Φ2.3 クラスタブロック

SIZE	CAGE CODE	DRAWING NO 番号	RESTRICTED TO
A3	00779	C-171370	-

CUSTOMER DRAWING

SCALE
尺度 4:1

SHEET
2 OF 3

REV
P4

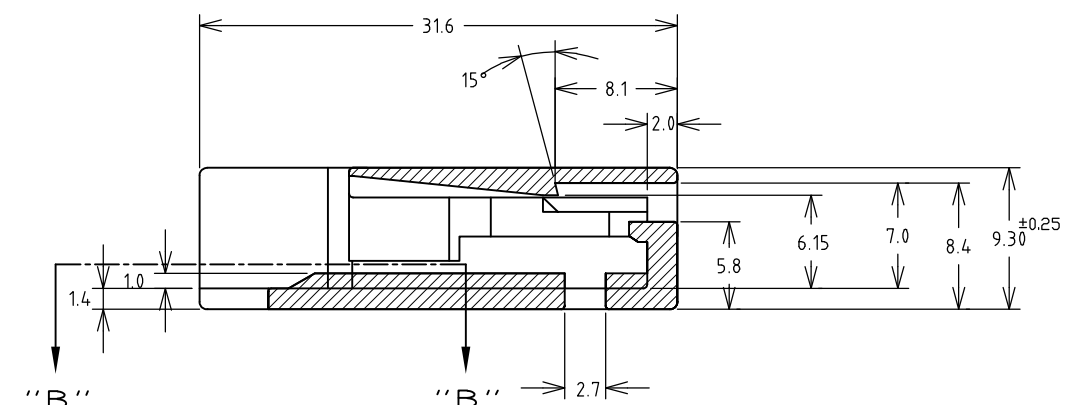
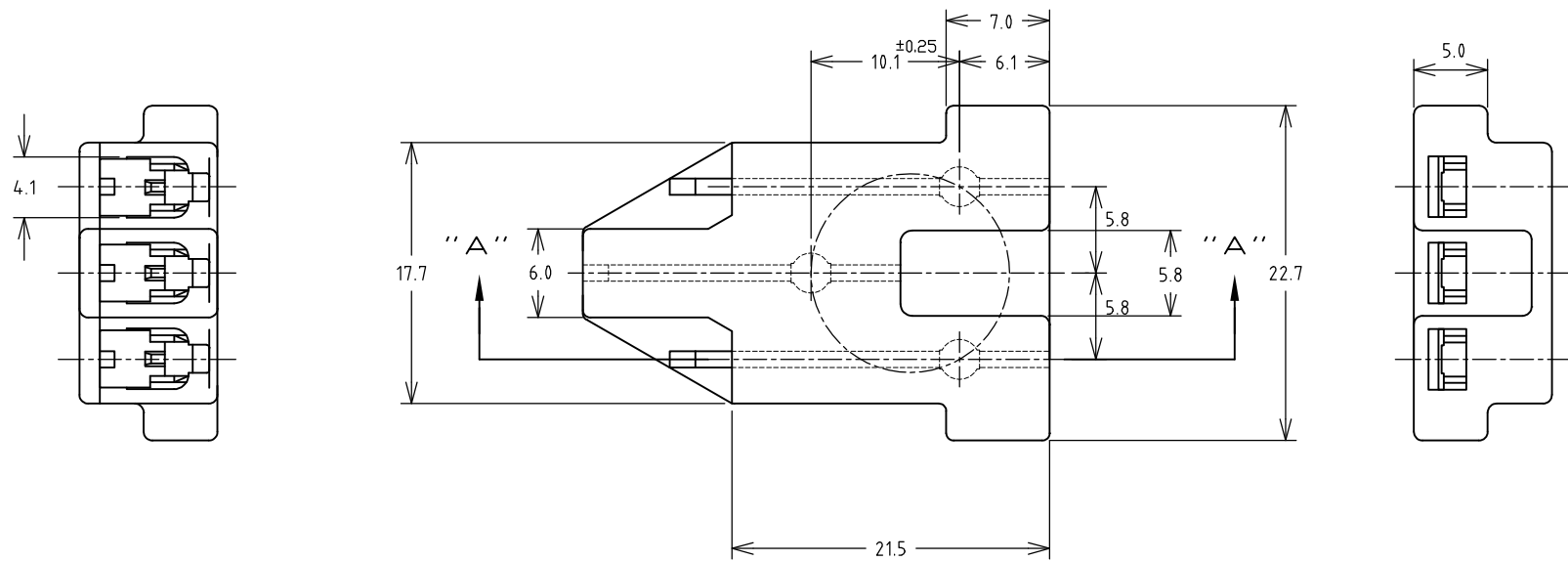
THIS DRAWING IS UNPUBLISHED.

RELEASED FOR PUBLICATION MAY, 21 .

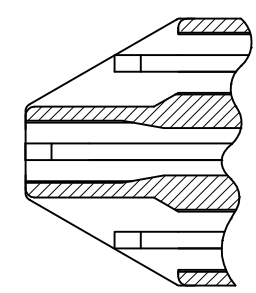
© COPYRIGHT 02 By -

ALL RIGHTS RESERVED.

LOC	DIST	REVISIONS					
		P	LTR	DESCRIPTION	DATE	DWN	APVD
J		-		SEE SHEET 1	-	-	-



断面“A-A”-“A-A” SECT



断面“B-B”-“B-B” SECT

注記:

1. 一般公差 : ±0.2
2. 適用ピン リセプタクル型番 : □-170063-□, □-353937-□, □-1123655-□
3. 適用規格番号: 108-140004 (型番171370-7)
4. PRELIMINARY-NOT FOR PRODUCTION
5. PARTS COMPLY WITH GLOW WIRE REQUIREMENTS DETAILED IN IEC 60335-1

NOTES:

1. GENERAL TOLERANCE ±0.2
2. APPLICABLE CONTACT PART No. : □-170063-□, □-353937-□, □-1123655-□
3. PRODUCT SPEC No.: 108-140004 (FOR PART No.171370-7)
4. PRELIMINARY-NOT FOR PRODUCTION
5. PARTS COMPLY WITH GLOW WIRE REQUIREMENTS DETAILED IN IEC 60335-1
6. PRELIMINARY PART

6	171370-8	PPS (UL94V-0)	(NATURAL)
5	171370-6	PA 6 GLASS FILLED	自然色 (NATURAL)
	171370-7	液晶ポリマー (UL94V-0) LCP (UL94V-0)	自然色 (NATURAL)
	型番 (PART No.)	材料 (MATERIAL)	色 (COLOR)

THIS DRAWING IS A CONTROLLED DOCUMENT.		DWN	STE TE Connectivity		
DIMENSIONS: 単位: 耗 mm		CHK			
TOLERANCES UNLESS OTHERWISE SPECIFIED: 一般公差		APVD	NAME 名称		
0 PLC ±		PRODUCT SPEC 製品規格		2.3 DIA CLUSTER BLOCK	
1 PLC ±		SEE NOTE 3		Φ2.3 クラスタブロック	
2 PLC ±		APPLICATION SPEC 取付適用規格		SIZE	CAGE CODE
3 PLC ±		WEIGHT		A3	00779
4 PLC ±		CUSTOMER DRAWING		DRAWING NO 番号	RESTRICTED TO
ANGLES ±				G-171370	-
FINISH 仕上				SCALE 尺度	SHEET
MATERIAL 材料 SEE TABLE				4:1	3 of 3
				REV	P4

Mouser Electronics

Authorized Distributor

Click to View Pricing, Inventory, Delivery & Lifecycle Information:

[TE Connectivity:](#)

[171370-3](#)