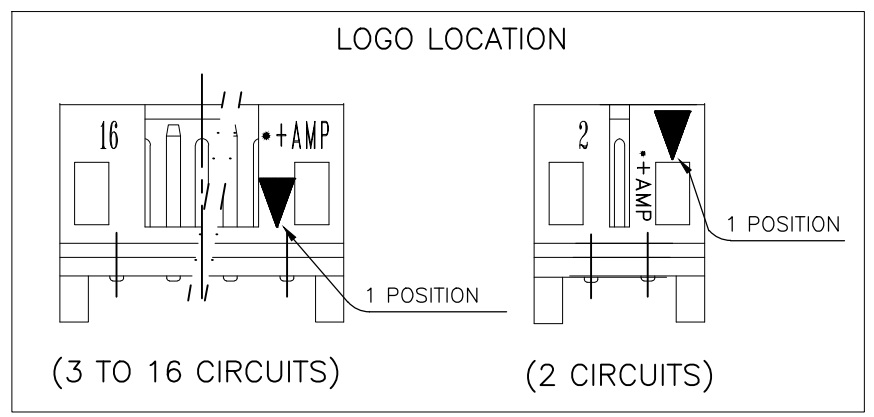
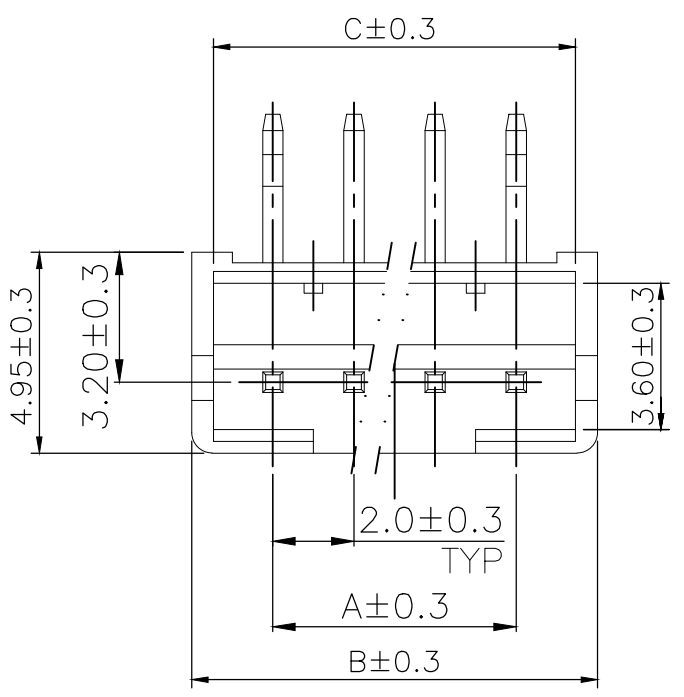
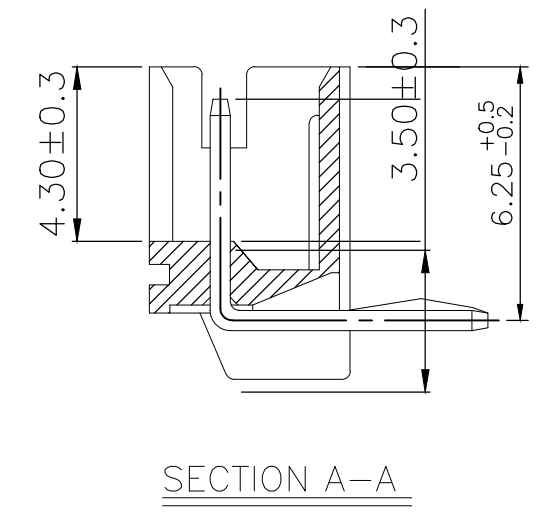
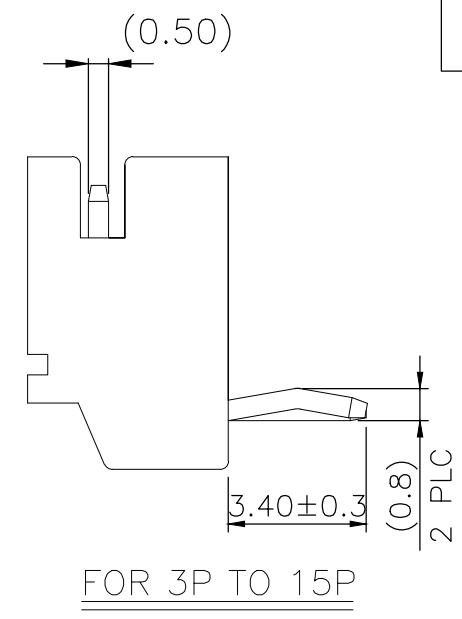
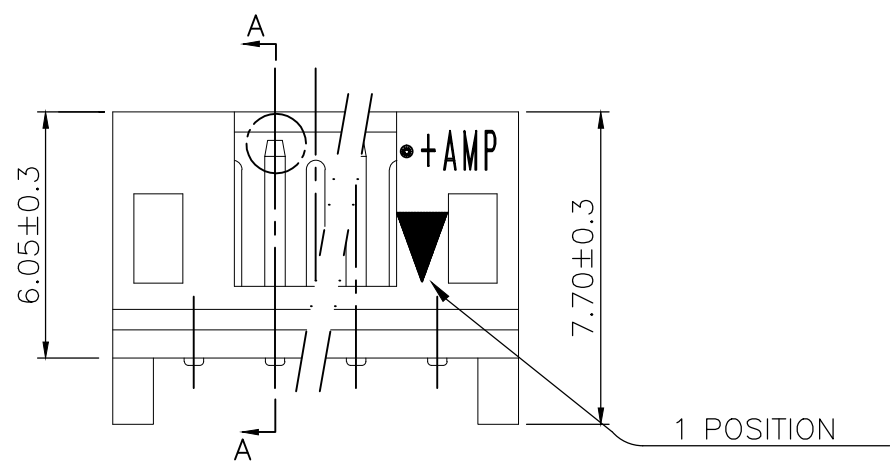
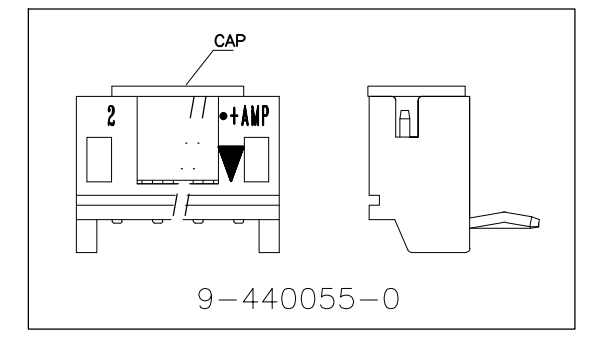


THIS DRAWING IS UNPUBLISHED. RELEASED FOR PUBLICATION - .09JUN2003
 © COPYRIGHT - By - ALL RIGHTS RESERVED.

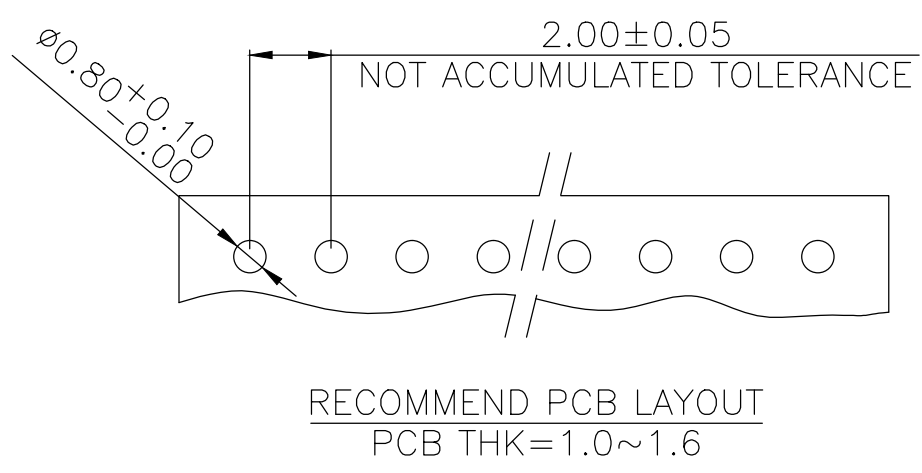
REVISIONS					
P	LTR	DESCRIPTION	DATE	DWN	APVD
B2		REVISED ECR-17-002168	09OCT2016	J.J	W.H



NOTE:
 1. MATERIAL :
 HOUSING : TGERMOPLASTIC UL94V-0
 CONTACT : BRASS THICKNESS=0.5mm
 2. FINISH:
 CONTACT : 80u" MIN. TIN PLATED OVER ALL.



COLOR	DIM C	DIM B	DIM A	POS.	PART NUMBER
RED	10.90	12.00	8.00	5P	8-440055-5
	8.90	10.00	6.00	4P	8-440055-4
	6.90	8.00	4.00	3P	8-440055-3
BLACK	4.90	6.00	2.00	2P	8-440055-2
	10.90	12.00	8.00	5P	6-440055-5
	8.90	10.00	6.00	4P	6-440055-4
	6.90	8.00	4.00	3P	6-440055-3
	4.90	6.00	2.00	2P	6-440055-2
	YELLOW	24.90	26.00	22.00	12P
22.90		24.00	20.00	11P	5-440055-1
20.90		22.00	18.00	10P	5-440055-0
18.90		20.00	16.00	9P	4-440055-9
16.90		18.00	14.00	8P	4-440055-8
14.90		16.00	12.00	7P	4-440055-7
12.90		14.00	10.00	6P	4-440055-6
10.90		12.00	8.00	5P	4-440055-5
8.90		10.00	6.00	4P	4-440055-4
6.90		8.00	4.00	3P	4-440055-3
BLUE	4.90	6.00	2.00	2P	4-440055-2
	10.90	12.00	8.00	5P	2-440055-5
	8.90	10.00	6.00	4P	2-440055-4
	6.90	8.00	4.00	3P	2-440055-3
NATURAL WHITE	4.90	6.00	2.00	2P	2-440055-2
	20.90	22.00	18.00	10P	9-440055-0
	32.90	34.00	30.00	16P	1-440055-6
	30.90	32.00	28.00	15P	1-440055-5
	28.90	30.00	26.00	14P	1-440055-4
	26.90	28.00	24.00	13P	1-440055-3
	24.90	26.00	22.00	12P	1-440055-2
	22.90	24.00	20.00	11P	1-440055-1
	20.90	22.00	18.00	10P	1-440055-0
	18.90	20.00	16.00	9P	440055-9
	16.90	18.00	14.00	8P	440055-8
	14.90	16.00	12.00	7P	440055-7
12.90	14.00	10.00	6P	440055-6	
10.90	12.00	8.00	5P	440055-5	
8.90	10.00	6.00	4P	440055-4	
6.90	8.00	4.00	3P	440055-3	
4.90	6.00	2.00	2P	440055-2	



THIS DRAWING IS A CONTROLLED DOCUMENT.		DWN O.HU 09JUN2003	MATERIAL: THERMOPLASTIC UL94V-0 HEAT TREAT: TE Connectivity		
DIMENSIONS: mm		CHK A.WU 09JUN2003			
TOLERANCES UNLESS OTHERWISE SPECIFIED:		APVD J.CHENG 09JUN2003	NAME		
0 PLC ± 0.3		PRODUCT SPEC 108-57100	2.0 MM PITCH HPI RIGHT-ANGLE POST HEADERS		
1 PLC ± 0.25		APPLICATION SPEC	SIZE	CAGE CODE	DRAWING NO
2 PLC ± 0.15		MATERIAL	A300779		C-440055
3 PLC ± 0.05		FINISH	RESTRICTED TO	-	
4 PLC ± -		WEIGHT 0	SCALE 1:1	SHEET 1 OF 3	REV B2
ANGLES ± -		CUSTOMER DRAWING			

THIS DRAWING IS UNPUBLISHED.

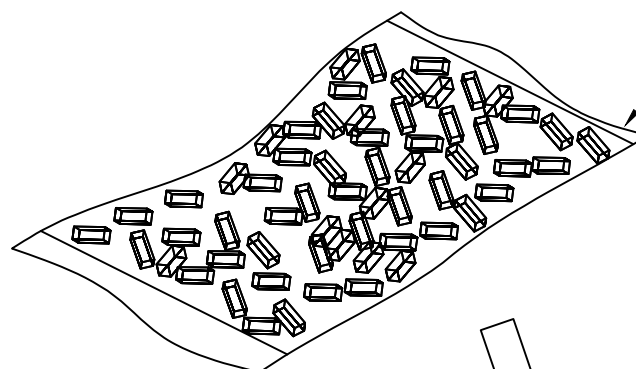
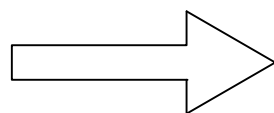
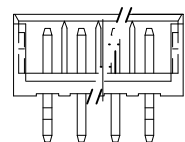
RELEASED FOR PUBLICATION

- .09JUN2003

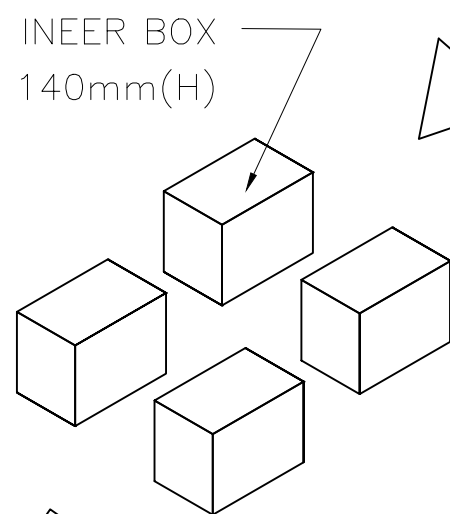
REVISIONS

© COPYRIGHT - By - ALL RIGHTS RESERVED.

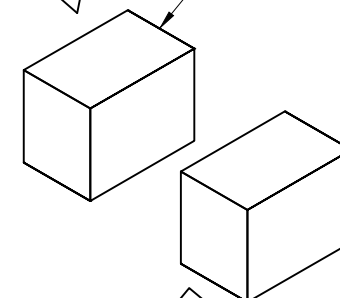
P	LTR	DESCRIPTION	DATE	DWN	APVD
-	-	SEE SHEET 1	-	-	-



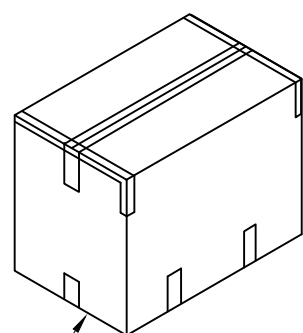
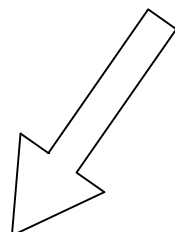
POLY BAG
127mm(L)X 203mm(W)X 0.07mm(H)



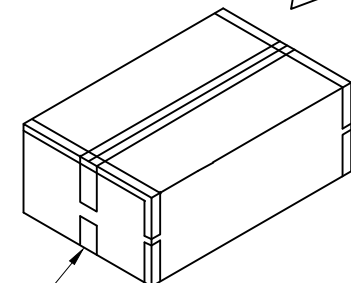
INEER BOX
320mm(L)X 220mm(W)X 140mm(H)



INEER BOX
320mm(L)X 220mm(W)X 140mm(H)



CARTON
340mm(L)X 470mm(W)X 316mm(H)
(FOR HEADER 6P~16P ONLY)



CARTON
340mm(L)X 470mm(W)X 168mm(H)
(FOR HEADER 2P~5P ONLY)

14,400	450	5P	8-440055-5
17,600	550	4P	8-440055-4
24,000	1,000	3P	8-440055-3
32,000	1,000	2P	8-440055-2
14,400	450	5P	6-440055-5
17,600	550	4P	6-440055-4
24,000	1,000	3P	6-440055-3
32,000	1,000	2P	6-440055-2
12,800	200	12P	5-440055-2
14,000	250	11P	5-440055-1
14,000	250	10P	5-440055-0
16,800	300	9P	4-440055-9
19,200	300	8P	4-440055-8
22,400	350	7P	4-440055-7
25,600	400	6P	4-440055-6
14,400	450	5P	4-440055-5
17,600	550	4P	4-440055-4
24,000	1,000	3P	4-440055-3
32,000	1,000	2P	4-440055-2
14,400	450	5P	2-440055-5
17,600	550	4P	2-440055-4
24,000	1,000	3P	2-440055-3
32,000	1,000	2P	2-440055-2
10,080	180	16P	1-440055-6
10,800	180	15P	1-440054-5
10,400	200	14P	1-440055-4
9,600	200	13P	1-440055-3
12,800	200	12P	1-440055-2
14,000	250	11P	1-440055-1
14,000	250	10P	1-440055-0
16,800	300	9P	440055-9
19,200	300	8P	440055-8
22,400	350	7P	440055-7
25,600	400	6P	440055-6
14,400	450	5P	440054-5
17,600	550	4P	440055-4
24,000	1,000	3P	440055-3
32,000	1,000	2P	440055-2
APQ (PCS/CARTON)	PPQ (PCS/BAG)	POS.	PART NUMBER

THIS DRAWING IS A CONTROLLED DOCUMENT.		DWN O.HU 09JUN2003	TE Connectivity			
		CHK A.WU 09JUN2003				
		APVD J.CHENG 09JUN2003	NAME			
DIMENSIONS: mm 		PRODUCT SPEC 108-57100	2.0 MM PITCH HPI RIGHT-ANGLE POST HEADERS			
TOLERANCES UNLESS OTHERWISE SPECIFIED: 0 PLC ± 0.3 1 PLC ± 0.25 2 PLC ± 0.15 3 PLC ± 0.05 4 PLC ± - ± - ANGLES ± - ± -		APPLICATION SPEC -	SIZE	CAGE CODE	DRAWING NO	RESTRICTED TO
MATERIAL -		FINISH -	WEIGHT 0	A300779	C-440055	-
CUSTOMER DRAWING			SCALE 1:1	SHEET 2 OF 3	REV B2	

THIS DRAWING IS UNPUBLISHED.

RELEASED FOR PUBLICATION

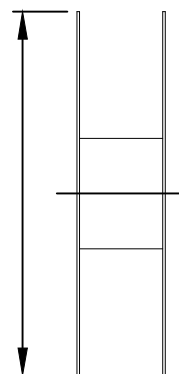
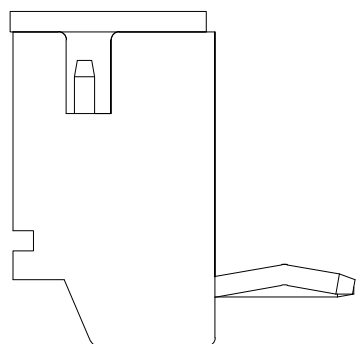
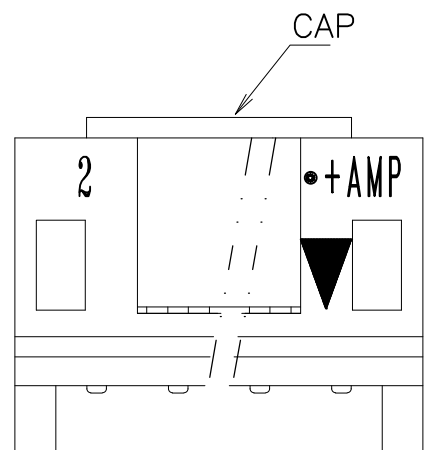
-.09JUN2003

REVISIONS

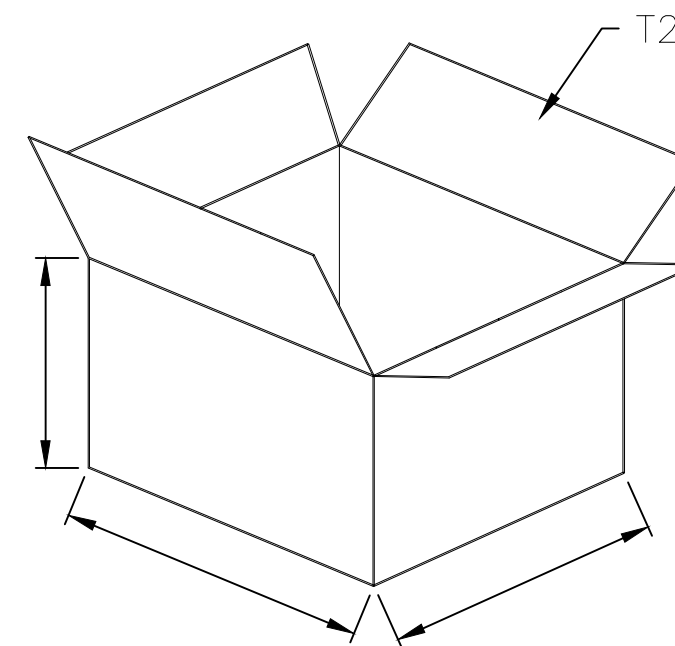
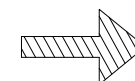
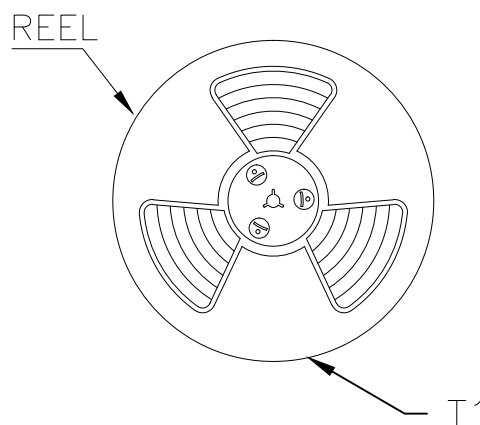
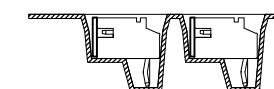
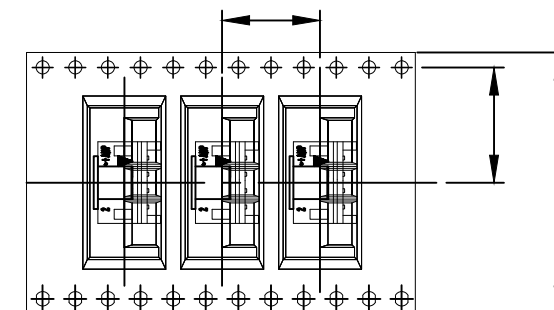
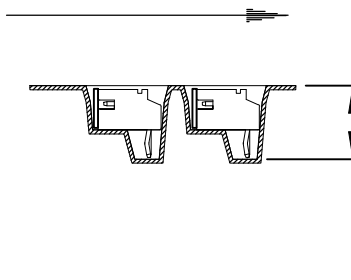
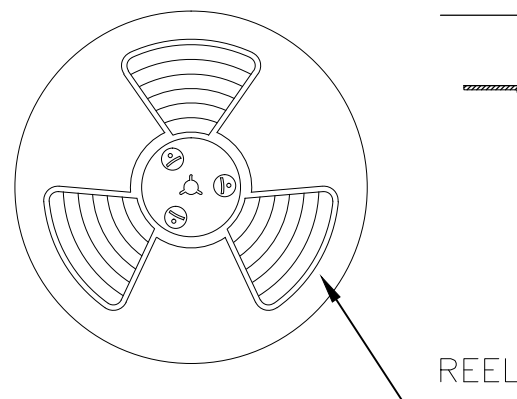
© COPYRIGHT - By -

ALL RIGHTS RESERVED.

P	LTR	DESCRIPTION	DATE	DWN	APVD
-	-	SEE SHEET 1	-	-	-



PULL OUT DIRECTION



POS	B(mm)	PCS./REEL	PCS/CARTON-T2
10P	44	600 PCS.	600X4=2400PCS

NOTE:
9-440055-0 10POS WAVE SOLDER PART CAP TYPE.

THIS DRAWING IS A CONTROLLED DOCUMENT.		DWN O.HU 09JUN2003	STE TE Connectivity													
DIMENSIONS: mm		CHK A.WU 09JUN2003														
TOLERANCES UNLESS OTHERWISE SPECIFIED:		APVD J.CHENG 09JUN2003	NAME													
<table border="1"> <tr><td>0 PLC</td><td>± 0.3</td></tr> <tr><td>1 PLC</td><td>± 0.25</td></tr> <tr><td>2 PLC</td><td>± 0.15</td></tr> <tr><td>3 PLC</td><td>± 0.05</td></tr> <tr><td>4 PLC</td><td>± -</td></tr> <tr><td>ANGLES</td><td>± -</td></tr> </table>		0 PLC	± 0.3	1 PLC	± 0.25	2 PLC	± 0.15	3 PLC	± 0.05	4 PLC	± -	ANGLES	± -	PRODUCT SPEC 108-57100	2.0 MM PITCH HPI RIGHT-ANGLE POST HEADERS	
0 PLC	± 0.3															
1 PLC	± 0.25															
2 PLC	± 0.15															
3 PLC	± 0.05															
4 PLC	± -															
ANGLES	± -															
MATERIAL		FINISH	APPLICATION SPEC	RESTRICTED TO												
-		-	SCALE 1:1	REVISIONS												
-		-	WEIGHT 0	APVD												
-		-	CUSTOMER DRAWING	APVD												
-		-	SIZE A3	APVD												
-		-	CAGE CODE 00779	APVD												
-		-	DRAWING NO. 9-440055	APVD												
-		-	SHEET 3 OF 3	APVD												
-		-	REV B2	APVD												

2400	600	10P	9-440055-0
APQ	PPQ	POS.	PART NUMBER
(PCS/CARTON)	(PCS/REEL)		
-	-	-	-

Mouser Electronics

Authorized Distributor

Click to View Pricing, Inventory, Delivery & Lifecycle Information:

[TE Connectivity:](#)

[440055-9](#)