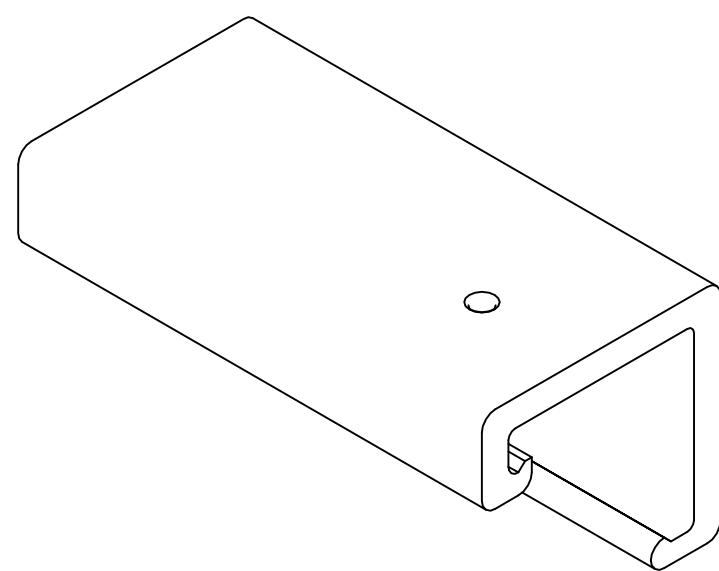
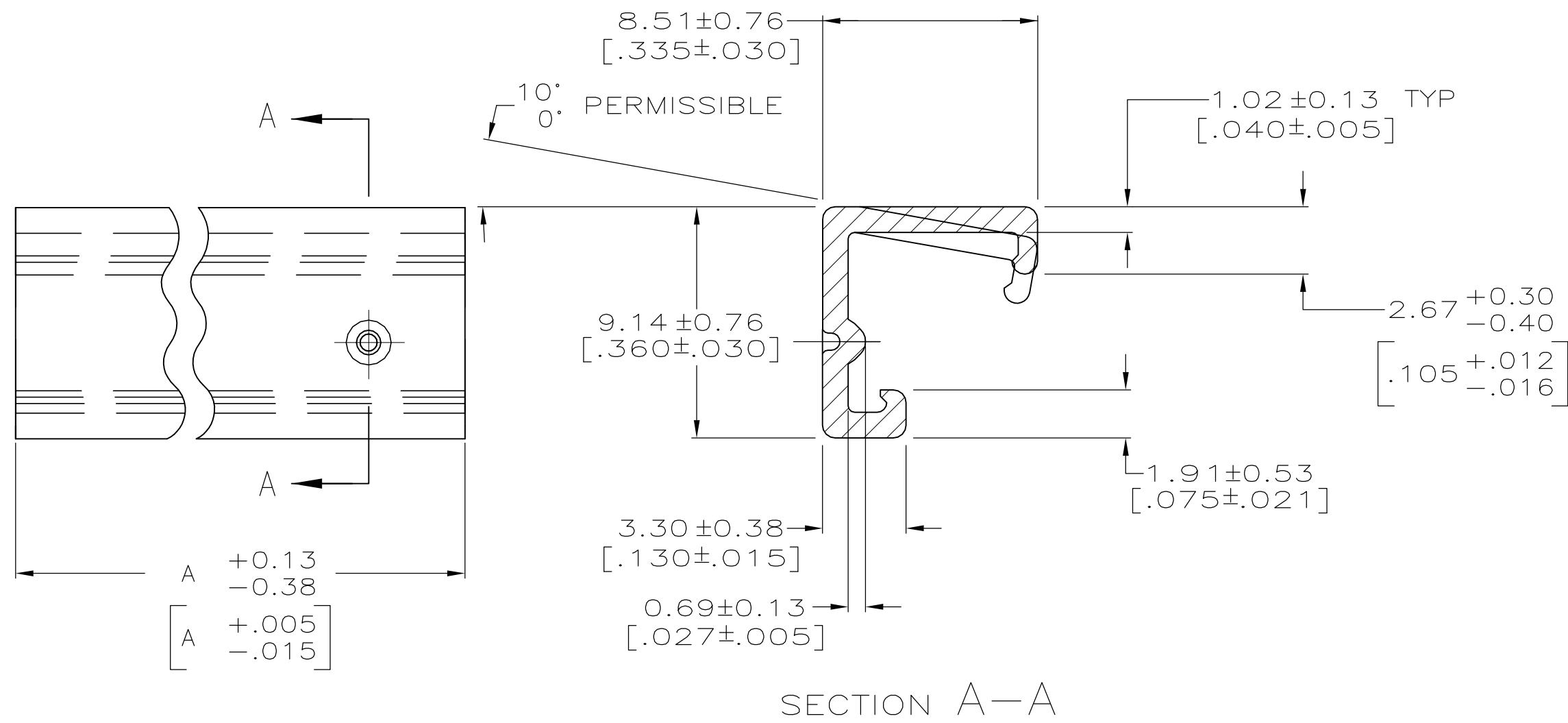


THIS DRAWING IS UNPUBLISHED. RELEASED FOR PUBLICATION
 © COPYRIGHT - By - ALL RIGHTS RESERVED.

LOC		DIST		REVISIONS			
P	LTR	DESCRIPTION		DATE	DWN	APVD	
CM	54	L2	REVISED PER ECO-11-016260		11AUG11	JR	SM

1. DIMENSIONS IN BRACKETS ARE IN INCHES.



3-DIMENSIONAL MODEL NTS

28	CIRCUIT ASSY	71.12	[2.800]	2-640550-8	
27	CIRCUIT ASSY	68.58	[2.700]	2-640550-7	
26	CIRCUIT ASSY	66.04	[2.600]	2-640550-6	
25	CIRCUIT ASSY	63.50	[2.500]	2-640550-5	
24	CIRCUIT ASSY	60.96	[2.400]	2-640550-4	
23	CIRCUIT ASSY	58.42	[2.300]	2-640550-3	
22	CIRCUIT ASSY	55.88	[2.200]	2-640550-2	
21	CIRCUIT ASSY	53.34	[2.100]	2-640550-1	
20	CIRCUIT ASSY	50.80	[2.000]	2-640550-0	
19	CIRCUIT ASSY	48.26	[1.900]	1-640550-9	
18	CIRCUIT ASSY	45.72	[1.800]	1-640550-8	
17	CIRCUIT ASSY	43.18	[1.700]	1-640550-7	
16	CIRCUIT ASSY	40.64	[1.600]	1-640550-6	
15	CIRCUIT ASSY	38.10	[1.500]	1-640550-5	
14	CIRCUIT ASSY	35.56	[1.400]	1-640550-4	
13	CIRCUIT ASSY	33.02	[1.300]	1-640550-3	
12	CIRCUIT ASSY	30.48	[1.200]	1-640550-2	
11	CIRCUIT ASSY	27.94	[1.100]	1-640550-1	
10	CIRCUIT ASSY	25.40	[1.000]	1-640550-0	
9	CIRCUIT ASSY	22.86	[.900]	640550-9	
8	CIRCUIT ASSY	20.32	[.800]	640550-8	
7	CIRCUIT ASSY	17.78	[.700]	640550-7	
6	CIRCUIT ASSY	15.24	[.600]	640550-6	
5	CIRCUIT ASSY	12.70	[.500]	640550-5	
4	CIRCUIT ASSY	10.16	[.400]	640550-4	
3	CIRCUIT ASSY	7.62	[.300]	640550-3	
2	CIRCUIT ASSY	5.08	[.200]	640550-2	
USED ON MTA 100 CONNECTOR ASSEMBLY AS LISTED				A	PART NO

THIS DRAWING IS A CONTROLLED DOCUMENT.		DWN	T. BECK	7-10-91	 TE Connectivity
DIMENSIONS: MM[INCHES]		CHK	R. SWING	7-10-91	
TOLERANCES UNLESS OTHERWISE SPECIFIED:		APVD	T. WERT	7-10-91	
0 PLC ± - 1 PLC ± - 2 PLC ± - 3 PLC ± - 4 PLC ± - ANGLES ± - FINISH -		NAME		COVER, MTA-100	
MATERIAL: POLYESTER, UL 94V-0 NATURAL		WEIGHT		-	SIZE: A2
		CUSTOMER DRAWING		-	CAGE CODE: 00779
		SCALE: 5:1		SHEET: 1 of 1	REV: L2

Mouser Electronics

Authorized Distributor

Click to View Pricing, Inventory, Delivery & Lifecycle Information:

[TE Connectivity:](#)

[640550-2](#)