

General Specifications

Electrical Capacity (Resistive Load)

Logic Level: 0.4VA maximum @ 28V AC/DC maximum
(Applicable Range 0.1mA ~ 0.1A @ 20mV ~ 28V)
See Supplement section to find explanation of operating range

Other Ratings

Contact Resistance: 80 milliohms maximum
Insulation Resistance: 100 megohms minimum @ 500V DC
Dielectric Strength: 500V AC minimum for 1 minute minimum
Mechanical Life: 30,000 cycles minimum
Electrical Life: 10,000 cycles minimum
Nominal Operating Torque: .026Nm (.234 lb•in) for momentary action models
.020Nm (.182 lb•in) for maintained action models
Contact Timing: Break-before-make
Angle of Throw: 90° for 2-position & 45° for 3-position

Materials & Finishes

Boot: Polyvinyl chloride
Key: Brass alloy with bright nickel plating;
brass alloy with bright nickel plating & ABS resin handle
Tumbler Barrel: Polyacetal
Bushing: Zinc alloy with nickel plating
Bracket: Steel with tin plating
Base: Glass fiber reinforced polyamide
Movable Contactor: Beryllium copper with gold plating
Stationary Contacts: Copper with gold plating
Terminals: Brass with tin plating

Environmental Data

Operating Temperature Range: -25°C through +70°C (-13°F through +158°F)
Humidity: 90 ~ 95% humidity for 240 hours @ 40°C (104°F)
Vibration: 10 ~ 55Hz with peak-to-peak amplitude of 1.5mm traversing the frequency range & returning
in 1 minute; 3 right angled directions for 2 hours
Shock: 50G (490m/s²) acceleration (tested in 6 right angled directions, with 5 shocks in each direction)

PCB Processing

Soldering: Wave Soldering recommended: See Profile B in Supplement section.
Manual Soldering: See Profile B in Supplement section.
Cleaning: Automated cleaning. Boot must be on switch during processing.
See Cleaning specifications in Supplement section.

Standards & Certifications

These SK Series devices have not been tested for UL recognition or CSA certification.
These switches are designed for use in a low-voltage, low-current, logic-level circuit.
When used as intended in a logic-level circuit, the results do not produce hazardous energy.

Distinctive Characteristics

Sealed body construction plus disposable boot protect contacts and allow automated processing.

Molded-in terminals seal out flux, solvents, and other contaminants.

Short body size for space-saving, behind panel dimensions.

Detent mechanism, with its spring-operated steel ball, gives crisp, positive action for accurate switch setting.

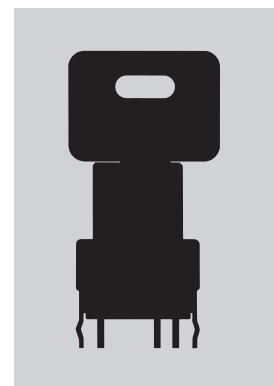
Bifurcated, self-wiping contact mechanism provides unequalled logic-level reliability and smoother, positive detent actuation.

Crimped bracket legs ensure secure PCB mounting and prevent dislodging during automated wave soldering.

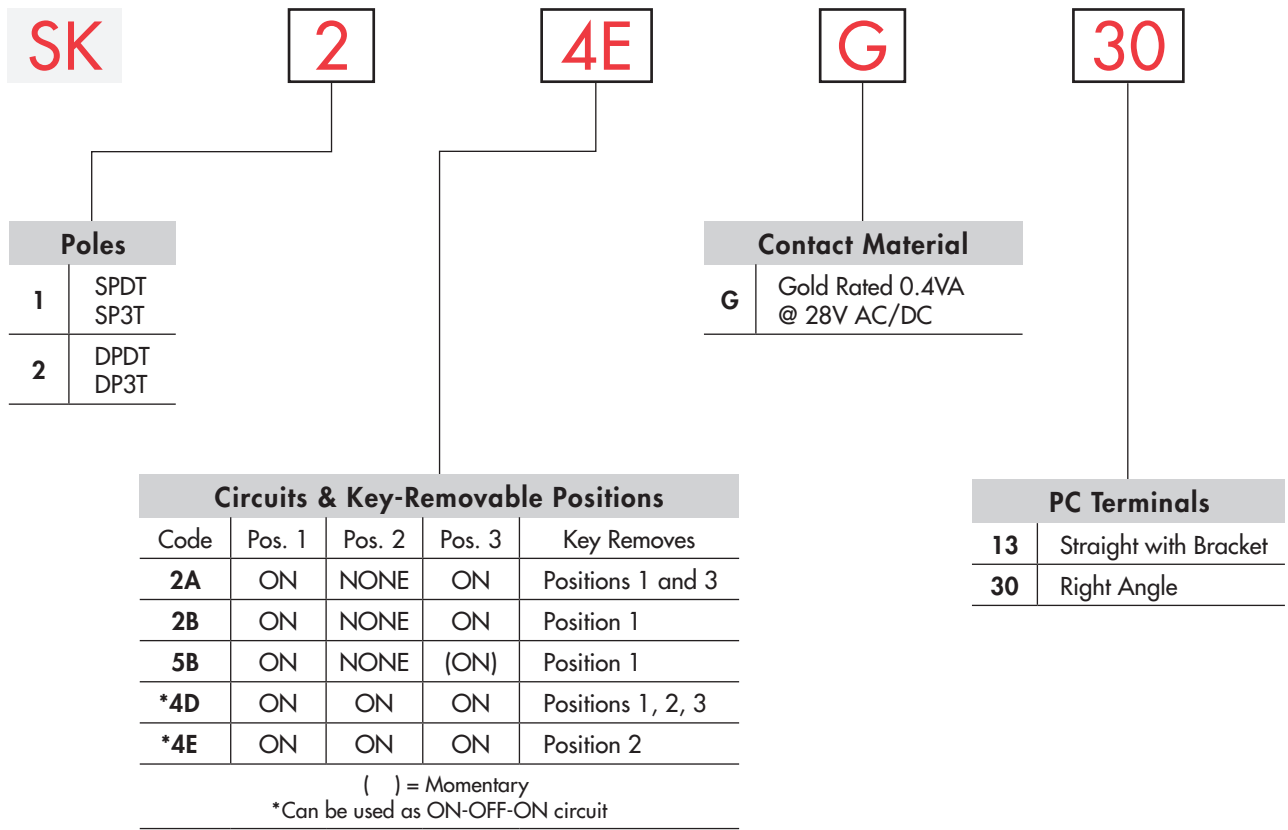
.100" x .100" (2.54mm x 2.54mm) terminal spacing conforms to standard PC board grid spacing.



Actual Size



TYPICAL SWITCH ORDERING EXAMPLE



DESCRIPTION FOR TYPICAL ORDERING EXAMPLE

SK24EG30



POLES, CIRCUITS & KEY-REMOVABLE POSITIONS

| Pole & Throw | Model | Key Positions | | | Connected Terminals (Terminal numbers are not on switch) | | | Schematic | ⊙ = Key Removable ● = Not Removable ✓ = Maximum Arc |
|--------------|----------------|---------------|--------------|------------|---|--------------|--------------|-----------|---|
| | | Pos 1 | Pos 2 | Pos 3 | Pos 1 | Pos 2 | Pos 3 | | |
| SPDT | SK12A | ON | NONE | ON | C1-1 | — | C1-2 | | |
| SPDT SPDT | SK12B SK15B | ON ON | NONE NONE | ON (ON) | C1-1 | — | C1-2 | | |
| DPDT | SK22A | ON | NONE | ON | C1-1 C2-4 | — | C1-2 C2-5 | | |
| DPDT DPDT | SK22B SK25B | ON ON | NONE NONE | ON (ON) | C1-1 C2-4 | — | C1-2 C2-5 | | |
| SP3T | SK14D | ON | ON | ON | C1-1 | C1-2 | C1-3 | | |
| SP3T | SK14E | ON | ON | ON | C1-1 | C1-2 | C1-3 | | |
| DP3T | SK24D | ON | ON | ON | C1-1 C2-4 | C1-2 C2-5 | C1-3 C2-6 | | |
| DP3T | SK24E | ON | ON | ON | C1-1 C2-4 | C1-2 C2-5 | C1-3 C2-6 | | |

KEY REMOVABLE

A Positions 1 & 3
90° Angular Throw

B Position 1
90° Angular Throw

D Positions 1, 2 & 3
45° Angular Throw

E Position 2
45° Angular Throw

CONTACT MATERIAL & RATING

G Gold over Copper

Logic Level

0.4VA maximum @ 28V AC/DC maximum

TERMINALS

13 Straight PC Terminals with Bracket

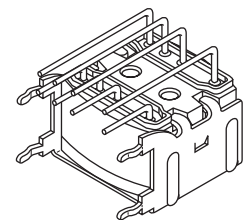
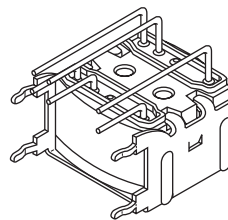
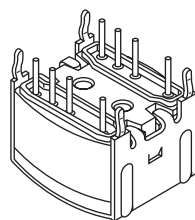
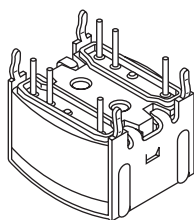
30 Right Angle PC Terminals

Double Throw Model

Three Throw Model

Double Throw Model

Three Throw Model

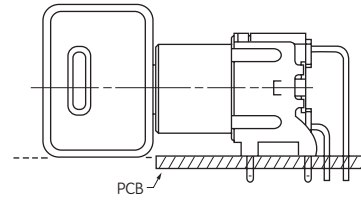
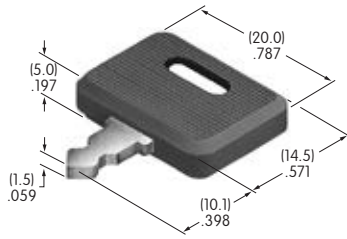


KEYS

AT4080 Standard
Antistatic Plastic Handle

Brass Alloy with Bright Nickel Plating
& ABS Resin Handle

2 keys supplied with each switch

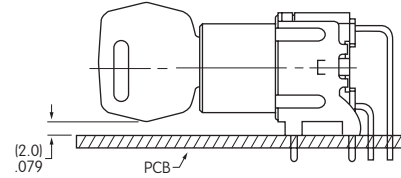
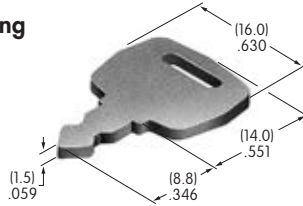


Suitable for all Straight PCB mount and for Right Angle PCB mount where clearance for key is obtainable.

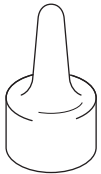
AT4079 for Right Angle Mid-board Mounting
(Optional) All Metal

Brass Alloy with Bright Nickel Plating

Contact factory if metal keys needed



Disposable Boot



Each switch is supplied with a boot that provides protection from automated soldering and the cleaning process. Attach the boot without the key installed in the switch.

The boot is not reusable; discard after the washing procedure.

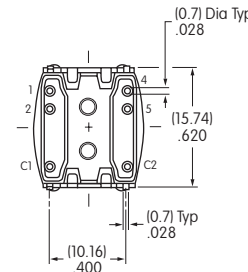
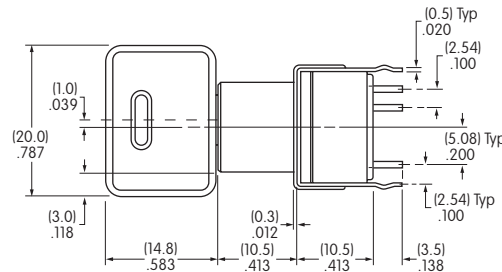
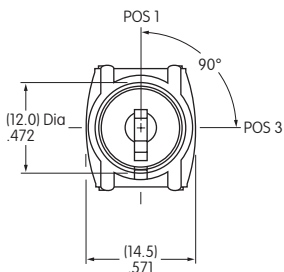
Polyvinyl Chloride



TYPICAL SWITCH DIMENSIONS

Single & Double Pole

Straight PC with Bracket • Double Throw

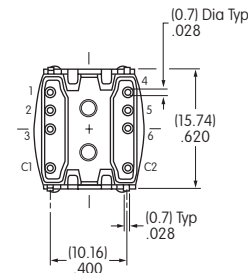
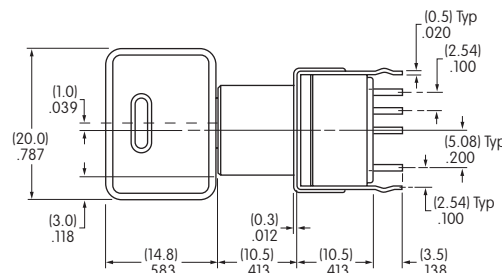
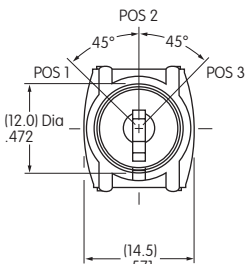


Single Pole models have only terminals 1, 2 & C1

SK12AG13

Single & Double Pole

Straight PC with Bracket • Three Throw

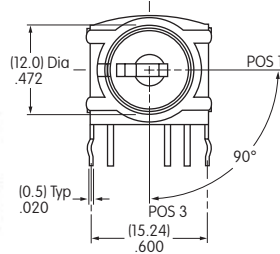


Single Pole models have only terminals 1, 2, 3 & C1

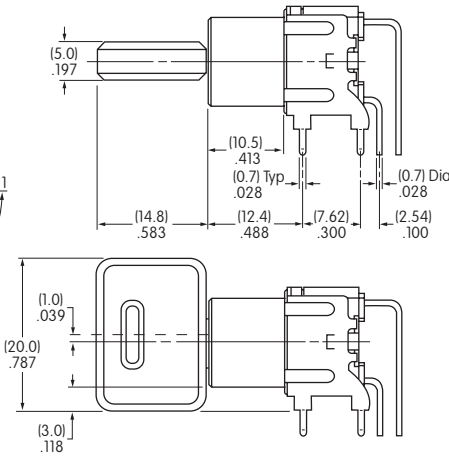
SK24DG13

TYPICAL SWITCH DIMENSIONS

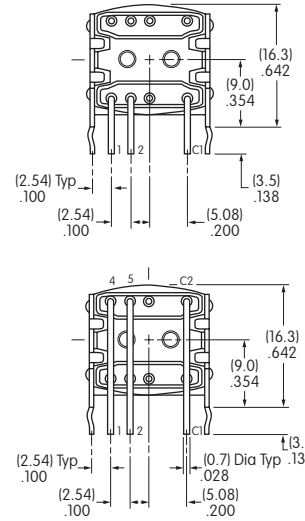
Right Angle
PC Terminals
Double Throw



Key in Position 1



Single Pole

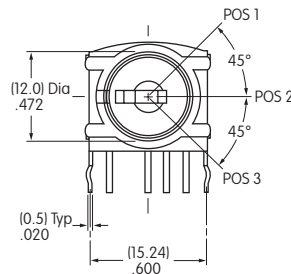


SK15BG30

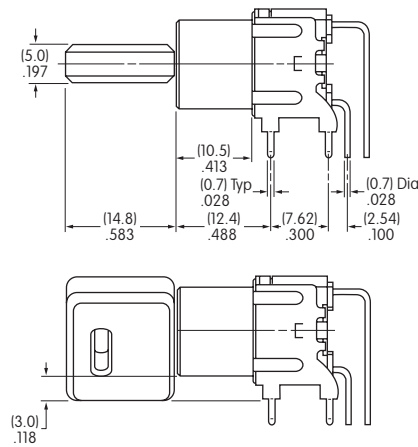
Key in Position 3

Double Pole

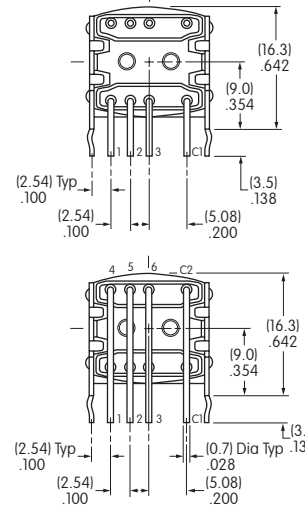
Right Angle
PC Terminals
Three Throw



Key in Position 2



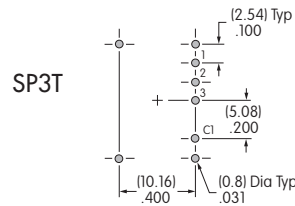
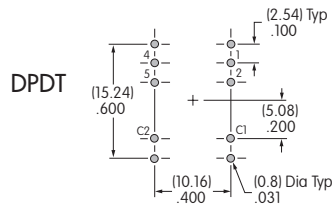
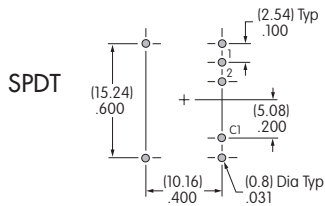
Single Pole



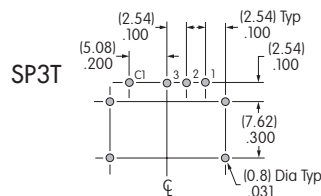
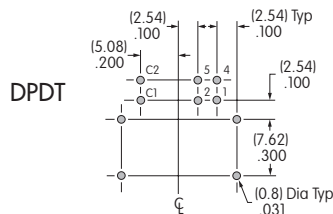
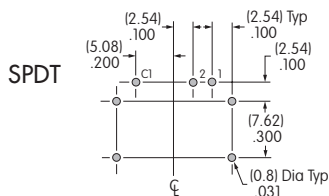
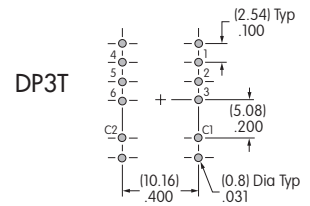
SK24EG30

Key in Position 1

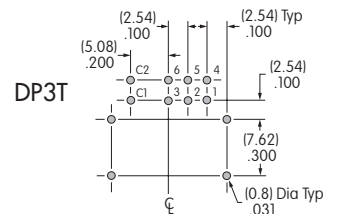
Double Pole



Straight PC Footprints



Right Angle PC Footprints



Mouser Electronics

Authorized Distributor

Click to View Pricing, Inventory, Delivery & Lifecycle Information:

[NKK Switches:](#)

[SK22AG13-RO](#)