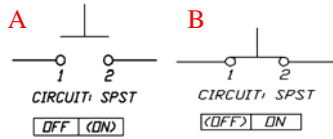
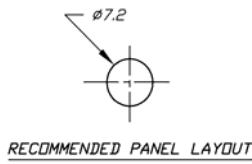


# PS1024 PANEL MOUNT PUSH BUTTON SWITCHES



## MECHANICAL SPECIFICATIONS

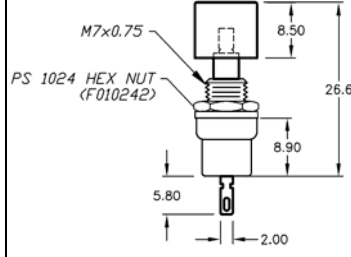
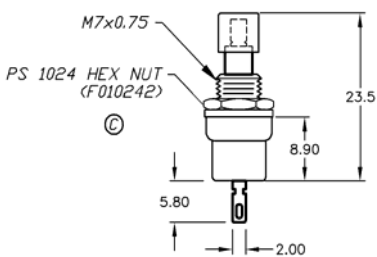
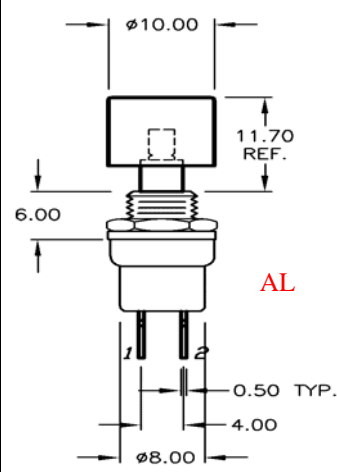
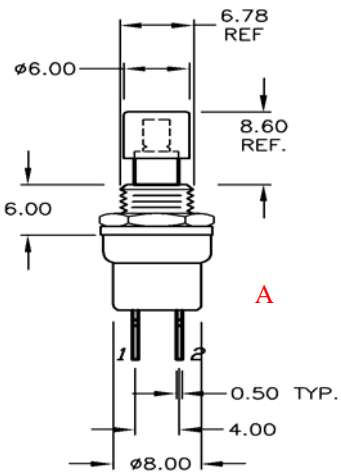
Mechanical Life: 6,000 Cycles  
Electrical Life: 6,000 cycles

## ELECTRICAL SPECIFICATIONS

Contact Rating: 3A@125VAC  
1.5A@250VAC  
Contact Resistance (Initial Max): 50m Ohms  
Insulation Resistance: 500M Ohms Min.  
Dielectric Strength: 1000VAC 1 minute

## ENVIRONMENTAL SPECIFICATIONS

Operating/Storage Temp: -20°C to 65°C



## How To Order

**SERIES**

PS1024

**CIRCUIT**

A=OFF-(ON)  
B=(OFF)-ON

( )=Momentary

**BUTTON STYLE**

A=6mm ROUND CAP  
AL=10mm ROUND CAP  
N=NO CAP

**CAP COLOR**

BLK=BLACK  
RED=RED

# Mouser Electronics

Authorized Distributor

Click to View Pricing, Inventory, Delivery & Lifecycle Information:

## E-Switch:

[PS1024AT-RED](#) [PS1024AT-BLK](#) [PS1024AL-BLK](#) [PS1024AL-RED](#) [PS1024ANOCAP](#) [PS1024ABLK](#) [PS1024ARED](#)  
[PS1024BLBLK](#) [PS1024BBLK](#) [PS1024ALBLK](#) [PS1024ALRED](#)