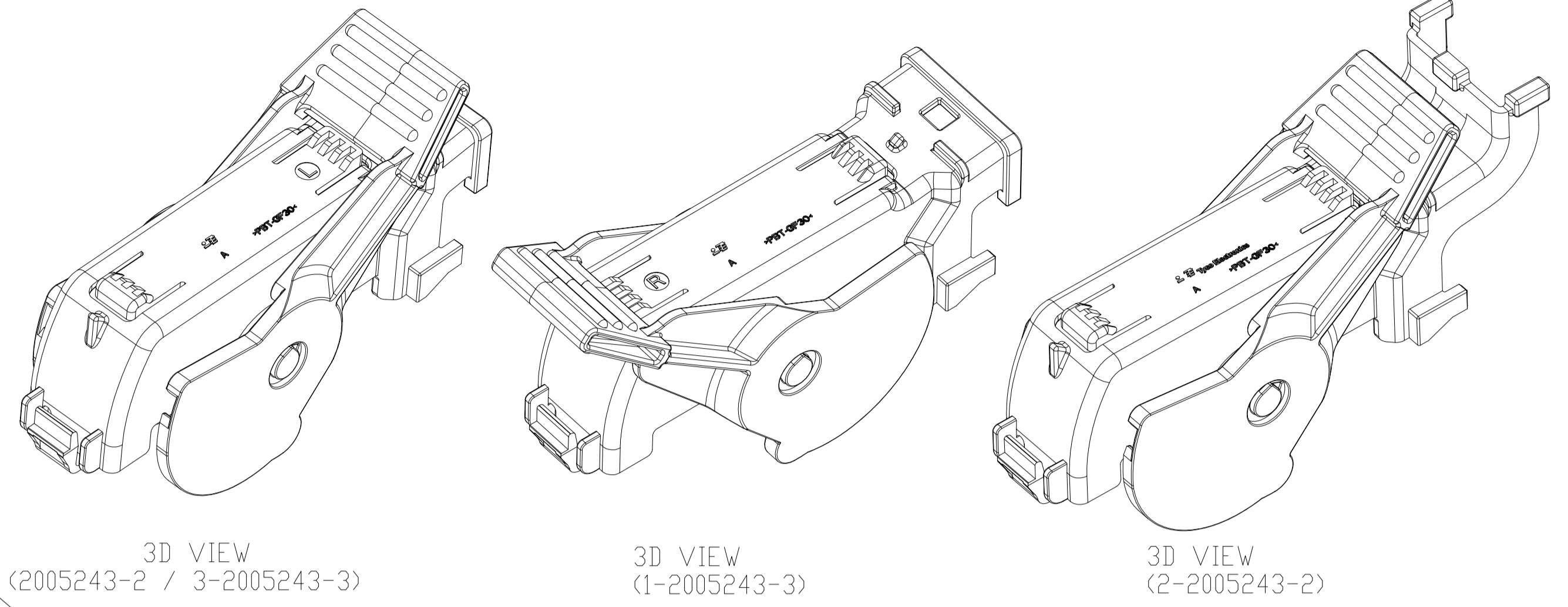
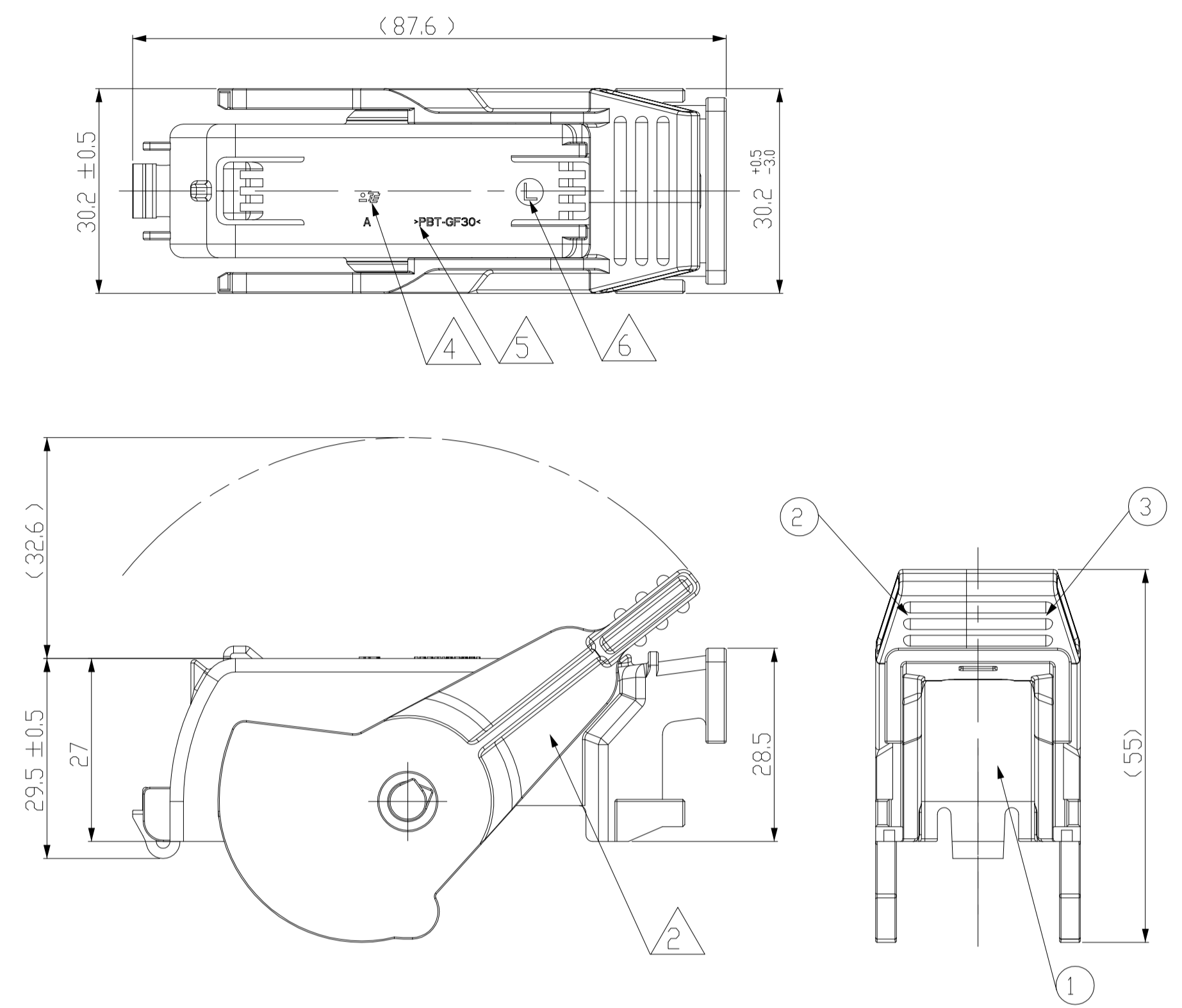
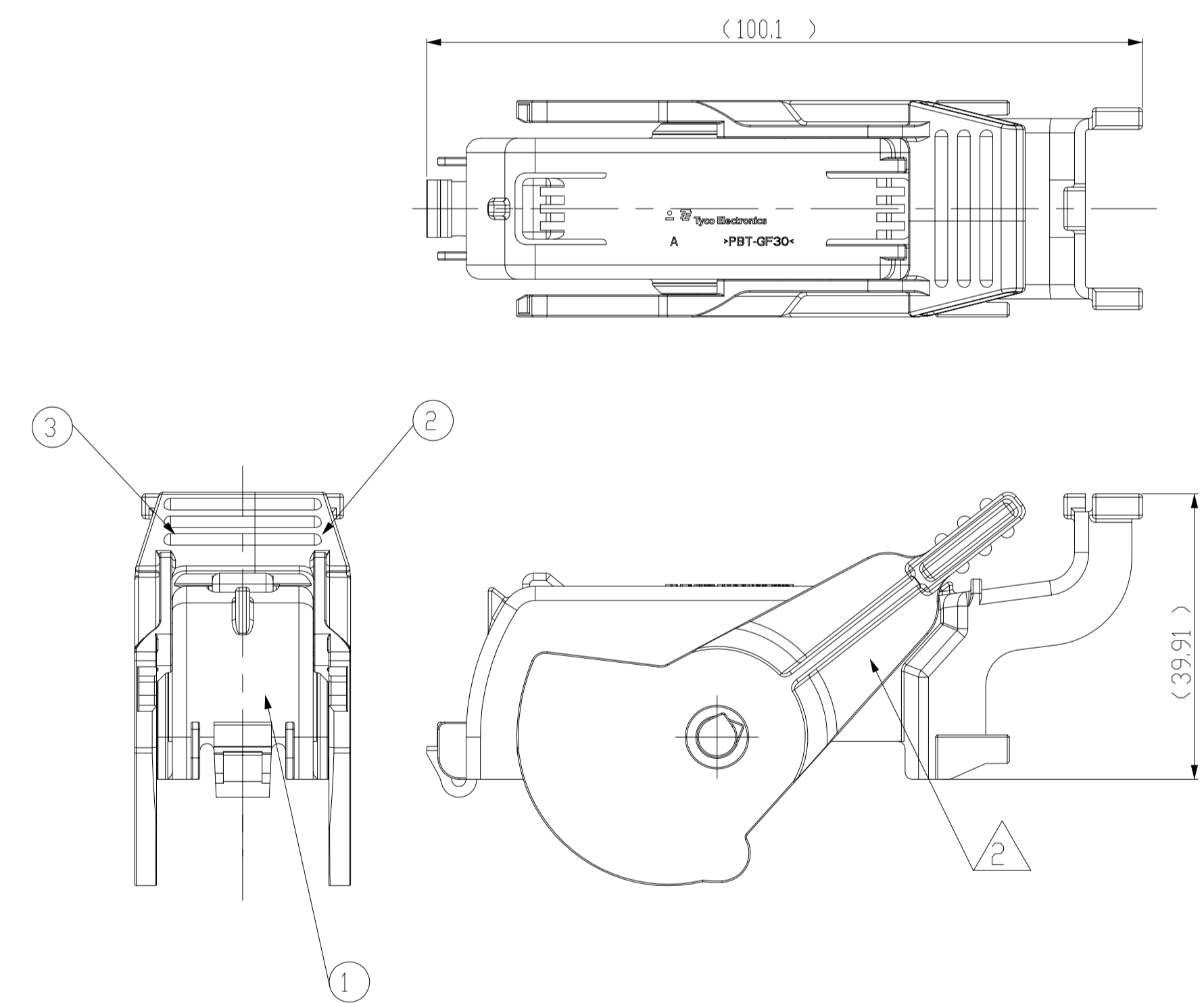


REVISIONS					
P	LTR	DESCRIPTION	DATE	DWN	APVD
	A1	REVISED (ECR-15-008320)	19AUG.15	SJ	HG

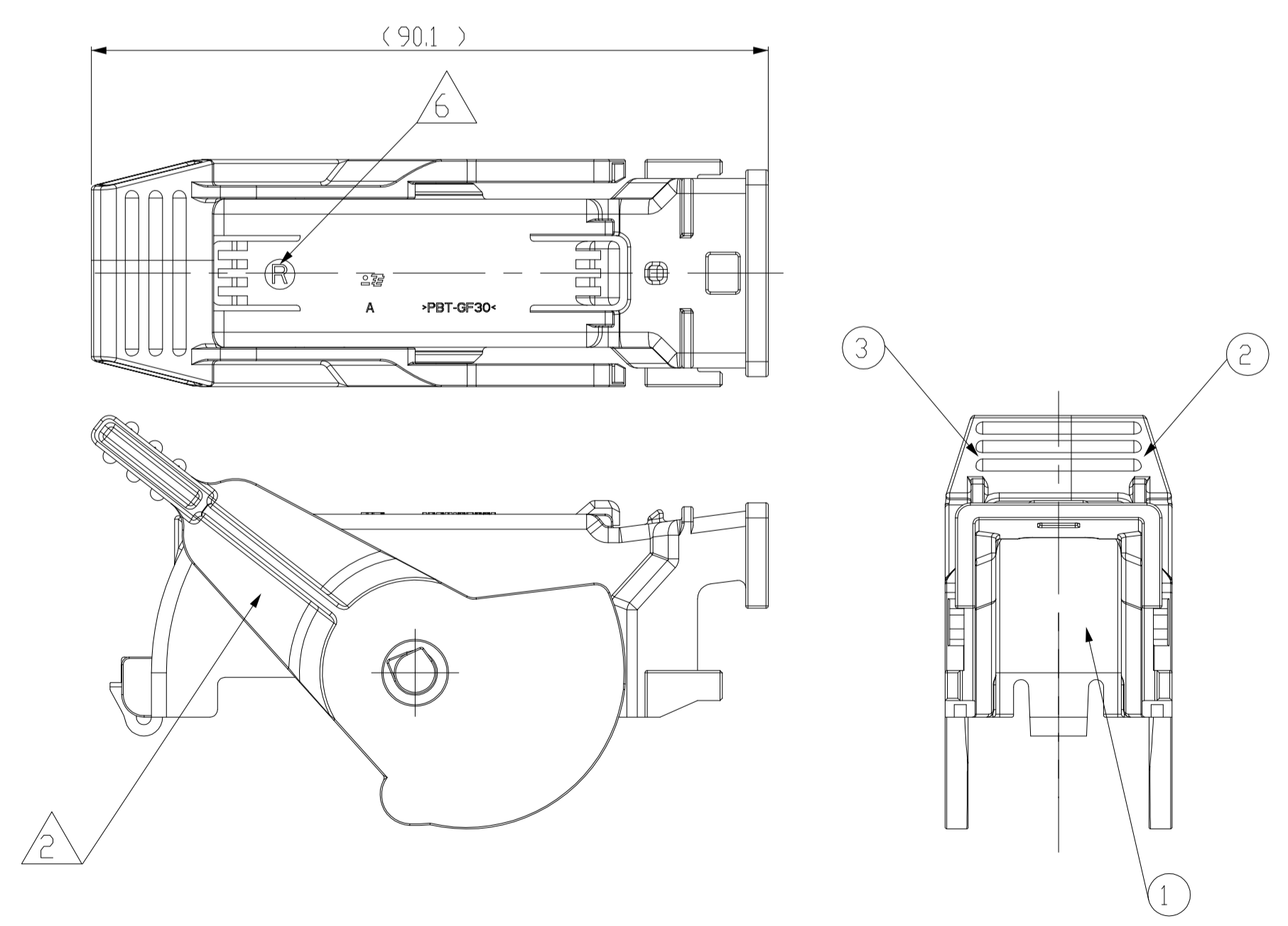
7. TYPE "L" DRAWING (2005243-2 / 3-2005243-3) IS BELOW SHOWN



9. TYPE "V" DRAWING (2-2005243-2) IS BELOW SHOWN



8. TYPE "R" DRAWING (1-2005243-3) IS BELOW SHOWN



- NOTE
- 1. GENERAL TOLERANCE: ±0.3, ±3°
 - 2. DELIVERY CONDITION
 - 3. APPLICABLE CONNECTOR P/N: X-2005238-X
 - 4. TE LOGO
 - 5. MATERIAL MARK
 - 6. TYPE MARK

NO.	COLOR	MATERIAL	DESCRIPTION	QTY		
				3-2005243-3	2-2005243-2	1-2005243-3
3	BLACK	PBT-GF30	LEVER HSG (RH)	1	1	1
2	BLACK	PBT-GF30	LEVER HSG (LH)	1	1	1
1	GRAY	PBT-GF30	COVER HSG TYPE "L"	1		
	BLACK	PBT-GF30	COVER HSG TYPE "V"		1	
	GRAY	PBT-GF30	COVER HSG TYPE "R"			1
	BLACK	PBT-GF30	COVER HSG TYPE "L"			1

THIS DRAWING IS A CONTROLLED DOCUMENT.

DWN: S.J. CHOI
 CHK: J.W. JUNG
 APVD: H.G. CHO
 PRODUCT SPEC

TE Connectivity

NAME: HYB 38P ISL COVER ASS'Y

SIZE: A2 CAGE CODE: 00779 DRAWING NO: C=2005243 RESTRICTED TO

WEIGHT: CUSTOMER DRAWING SCALE: 1:1 SHEET: 1 OF 1 REV: A1

Mouser Electronics

Authorized Distributor

Click to View Pricing, Inventory, Delivery & Lifecycle Information:

[TE Connectivity:](#)

[2005243-2](#)