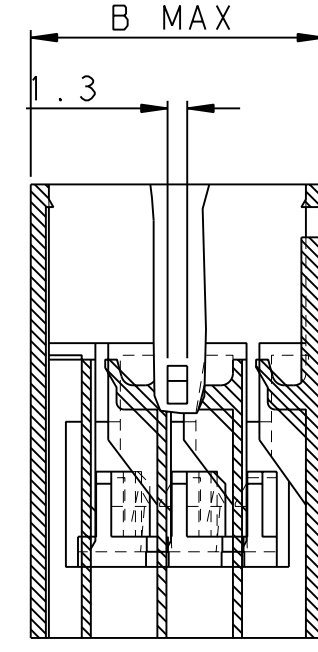
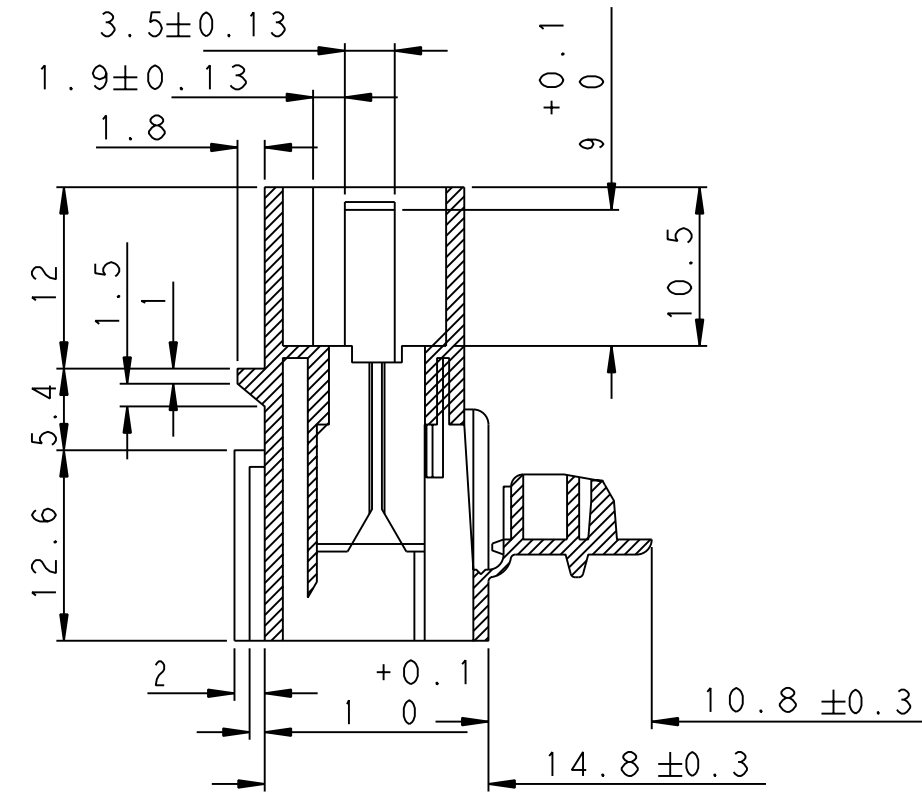


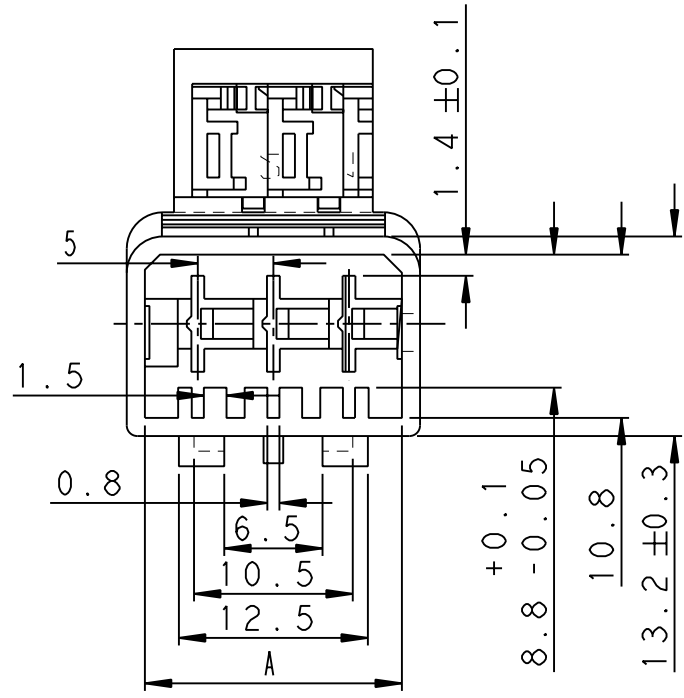
THIS DRAWING IS UNPUBLISHED. RELEASED FOR PUBLICATION 2011
 © COPYRIGHT 2011 BY - ALL RIGHTS RESERVED.

LOC	DIST	REVISIONS			
P	LTR	DESCRIPTION	DATE	DWN	APVD
A1	-				
	C	CHANGE COTES 3.5 ET 1.9	18AUG2011	PB	JPP

COUPE B-B



⚠ OBSOLETE PARTS: OBSOLETE CIS STREAMLINING PER D.RENAUD/D.SINISI



KEYING (DETROMPAGES)			
2 POSITIONS		3 POSITIONS	
	BLACK (NOIR) 0-144835-2		BLACK (NOIR) 0-144835-3
	BROWN (MARRON) 1-144835-2		BROWN (MARRON) 1-144835-3
	RED (ROUGE) 2-144835-2		RED (ROUGE) 2-144835-3
	ORANGE 3-144835-2		ORANGE 3-144835-3
	YELLOW (JAUNE) 4-144835-2		YELLOW (JAUNE) 4-144835-3
	GREEN (VERT) 5-144835-2		GREEN (VERT) 5-144835-3
	BLUE (BLEU) 6-144835-2		BLUE (BLEU) 6-144835-3
	VIOLET 7-144835-2		VIOLET 7-144835-3
	GREY (GREY) 8-144835-2		GREY (GREY) 8-144835-3
	WHITE (BLANC) 9-144835-2		WHITE (BLANC) 9-144835-3

19.7	17	3	144835-3
14.7	12	2	144835-2
B	A	Nb de VOIES (Nb of WAYS)	REFERENCES

⚠ OBSOLETE

THIS DRAWING IS A CONTROLLED DOCUMENT.		DWN P.BACHELOT 18AUG2011	TE Connectivity NAME BOITIER PORTE -LANG 5MM DOUBLE VERROU (housing for tab 5 mm double locking)	
DIMENSIONS: mm		CHK JP PICAUD 18AUG2011		
TOLERANCES UNLESS OTHERWISE SPECIFIED:		APVD JJ REVIL 18AUG2011		
		PRODUCT SPEC -	SIZE A3	
MATERIAL PA 6.6		APPLICATION SPEC -	CAGE CODE 00779	
FINISH -		WEIGHT -	DRAWING NO C-144835	
CUSTOMER DRAWING / PLAN CLIENT			UNTOILEMENT POUR REFERENCE	RESTRICTED TO -
SCALE -			SHEET 1 OF 1	REV C

Mouser Electronics

Authorized Distributor

Click to View Pricing, Inventory, Delivery & Lifecycle Information:

[TE Connectivity:](#)

[9-144835-2](#)