

NOTES:

1. MATERIAL AND FINISHES:

- FERRULE - COPPER, GOLD PLATING
- RETAINER RING - SUS 304, NATURAL
- GASKET - SILICONE RUBBER, RED
- BODY - BRASS, GOLD PLATING
- CONTACT - BERYLLIUM COPPER, GOLD PLATING
- INSULATOR - PTFE, NATURAL

2. ELECTRICAL:

- A. IMPEDANCE: 50 OHM
- B. FREQUENCY RANGE: 0-12.4 GHz
- C. VSWR (RETURN LOSS): 1.3 (-17.692 dB) MAX.
- D. D.W.V: 1000 VRMS. MIN.

3. MECHANICAL:

- A. DURABILITY: 500 CYCLES MIN.
- B. TEMPERATURE RANGE: -65°C TO +165°C

4. CRIMPED FERRULE HEX CRIMP SIZE .213"

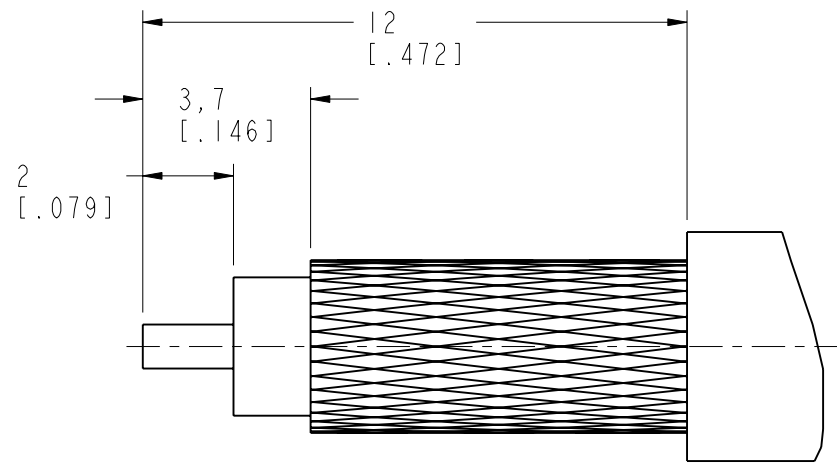
5. CONTACT PIN TO SOLDER

6 SHOWS CABLE ENTRY DIMENSIONS

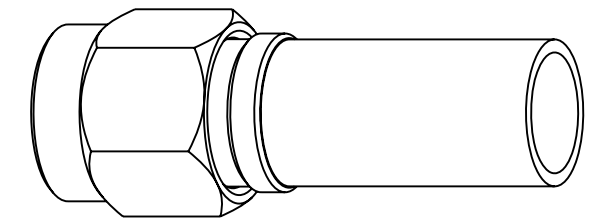
THIRD ANGLE PROJ.

REVISIONS

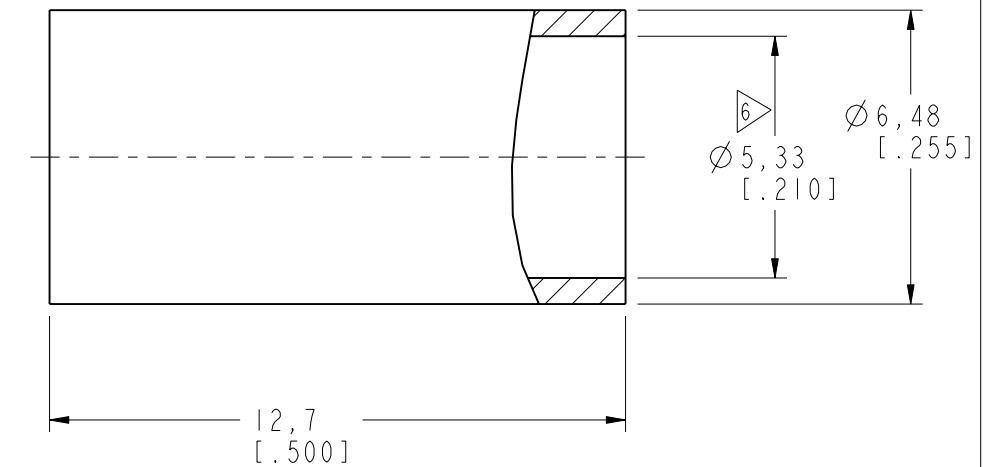
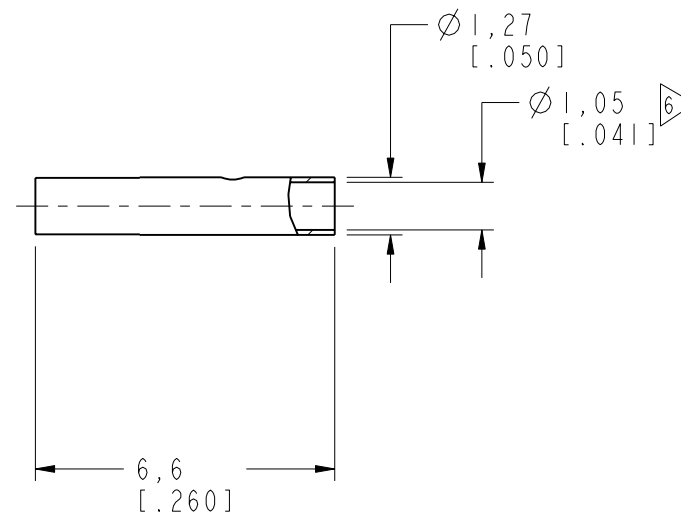
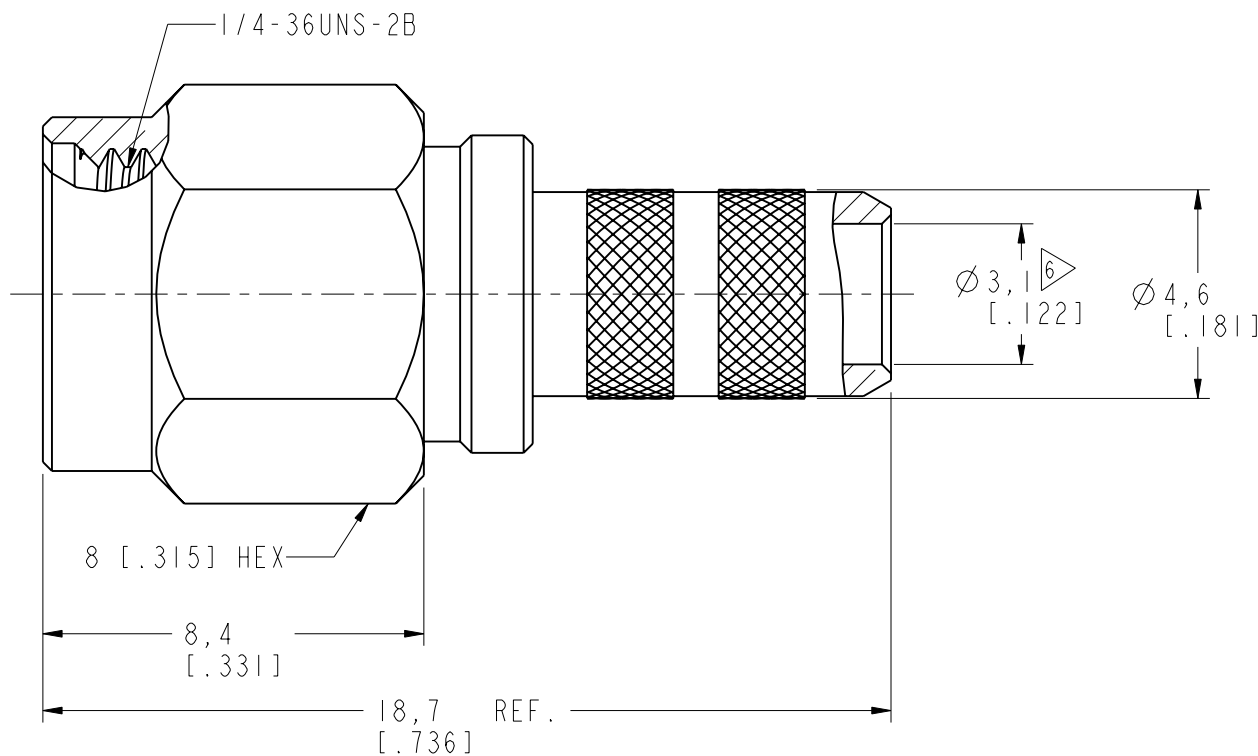
REV	DESCRIPTION	DATE	ECO	APPR
NC	INITIAL RELEASE	05-Jun-03	-----	GRS
A	RELEASE TO MFG.	26-Apr-12	-----	MZ
D	SYNC, UPDATE DRAWING FORMAT\N/A	08-Oct-15	50751	SH



RECOMMENDED
CABLE STRIPPING DIM'S



SCALE 3.000



CUSTOMER OUTLINE DRAWING

ALL OTHER SHEETS ARE FOR INTERNAL USE ONLY

UNLESS OTHERWISE SPECIFIED, DIMENSIONS ARE IN METRIC AND TOLERANCES ARE:
 <0.5mm ±0.05mm 0.5 - 6mm ±0.1mm 6 - 30mm ±0.2mm 30 - 120mm ±0.3mm ANGLES ±1°

NOTICE - These drawings, specifications, or other data (1) are, and remain the property of Amphenol corp. (2) must be returned upon request; and (3) are confidential and not to be disclosed to any person other than those to whom they are given by Amphenol Corp. the furnishing of these drawings, specifications, or other data by Amphenol Corp., or to any other person to anyone for any purpose is not to be regarded by implication or otherwise in any manner licensing, granting rights to permitting such holder or any other person to manufacture, use or sell any product, process or design, patented or otherwise, that may in any way be related to or disclosed by said drawings, specifications, or other data.

MATERIAL	DRAWN M. ZHANG	DATE 06-Oct-15	TITLE SMA REVERSE POLARITY CRIMP PLUG (FOR RG-58C/U, 58/U)	Amphenol RF www.amphenolrf.com
REFERENCE AND CONFIGURATION LEVEL: In Work	ENGINEER S. LI	DATE 26-Apr-12		
FINISH	APPROVED S. HSIEH	DATE 06-Oct-15	SCALE: 6.0:1.0 SHEET 2 OF 2	DRAWING NO. RSM11111A1-013-3GT5GP-50
			DWG SIZE B	REV D
				ITEM NO. 611111AAH58FR5F
				PART NO. 132113RP

Mouser Electronics

Authorized Distributor

Click to View Pricing, Inventory, Delivery & Lifecycle Information:

[Amphenol:](#)

[132113RP](#)