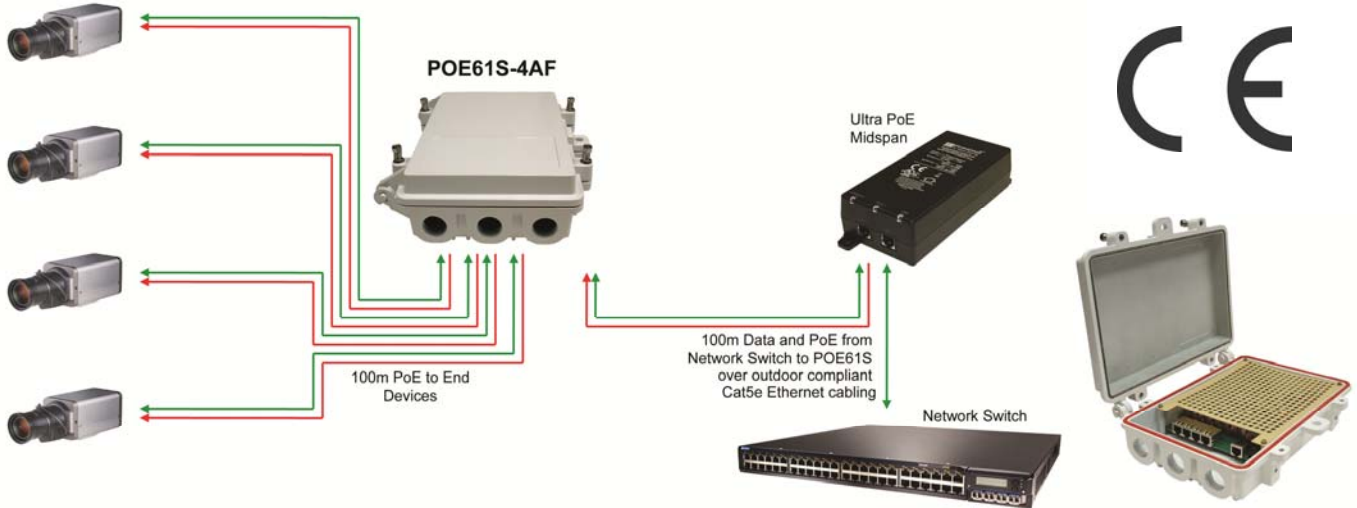




## 5 Port PoE Switch Powered by ULTRA PoE Extends Ethernet Data and PoE to External Devices



### Features

- 4 Ports 15.4W per port
- 10/100 Base-T Data Rates
- Circuit Boost to Compensate for Wire Drops
- IP67 Rating (Waterproof)
- -40-60°C operation
- Powered by Ultra PoE (No AC or DC input)
- Full power Every Port
- Extends Ethernet to 200meters from the network switch
- Optional Cable Glands for Waterproof Operation (sold separately)

### Applications

- IP Cameras
- Access Controls
- Wireless Access Points
- IP Telephones

### Safety Approvals

- CE

### Mechanical Characteristics

- Length: 252.1mm (9.93in)
- Width: 176mm (6.93in)
- Height: 78mm (3.07in)
- Weight: 1.7Kg (3.75lb)

### Mechanical Characteristics (With Mounting Bracket)

- Length: 300mm (11.81in)
- Width: 184mm (7.24in)
- Height: 82mm (3.23in)
- Weight: 2.83Kg (6.25lb)

### Output Specifications

Model	Output
POE61S-4AF-R	15.4W per port on 4 ports Total power-62W

Phihong is not responsible for any error, and reserves the right to make changes without notice. Please visit our website at [www.phihong.com](http://www.phihong.com) for the most up-to-date specifications and contact information.

**INPUT:**

The PoE extender can only receive power from an “Ultra PoE” midspan, “Mega PoE” midspan, or equivalent.

**DC Input Voltage Range**

45-57VDC

**Ripple and Regulation**

100mV maximum

**DC Input Current**

2.5A at 45VDC at maximum load

2.0A at 57VDC at maximum load

**Efficiency**

84% (typical) at full load and 48VDC

**PoE Standard Compliance****Input**

12.5K Internal Signature Resistance

**Output**

Detects a 25K Signature Resistance

**ENVIRONMENTAL:****Temperature**

Operation -40 to +60°C

Non-operation -40 to +85°C

**Humidity**

Operation 5 to 90%

**Cable**

Designed to operate up to 100 meters per IEEE 802.3, Cat 5e or Cat 6 rated for outdoor use

**Weather Proof Enclosure**

IP67 Compliant

**Warranty**

Limited Lifetime

**Immunity**

ESD: EN61000-4-2. Level 3

RS: EN61000-4-3. Level 3

EFT/Burst: EN61000-4-4. Level 2

Surge: EN61000-4-5. Level 2

CS: EN61000-4-6. Level 2

Note: RS and CS tested with POE75U-1UP

**EMC**

EN55022 Class B

FCC Part 15, Class B

**Isolation Test**

Input to Field Ground: 2121VDC for 1 minute

Output to Field Ground: 2121VDC for 1 minute

**Insulation Resistance**

Input and Output to field ground: >10 OHM

500VDC

**FEATURE:****Over Voltage/Current, Short Circuit Protection**

Outputs equipped with short circuit protection and overload protection as per 802.3af specification

**Indicators**

Ethernet Green Full Duplex, otherwise Half Duplex

Green 100M, otherwise 10M

Yellow blinking, Ethernet activity

POE INPUT On: Input power OK  
Off: No power or voltage low

OUTPUT On: POE output OK  
Off: No POE output

**Input and Output Data Connector**

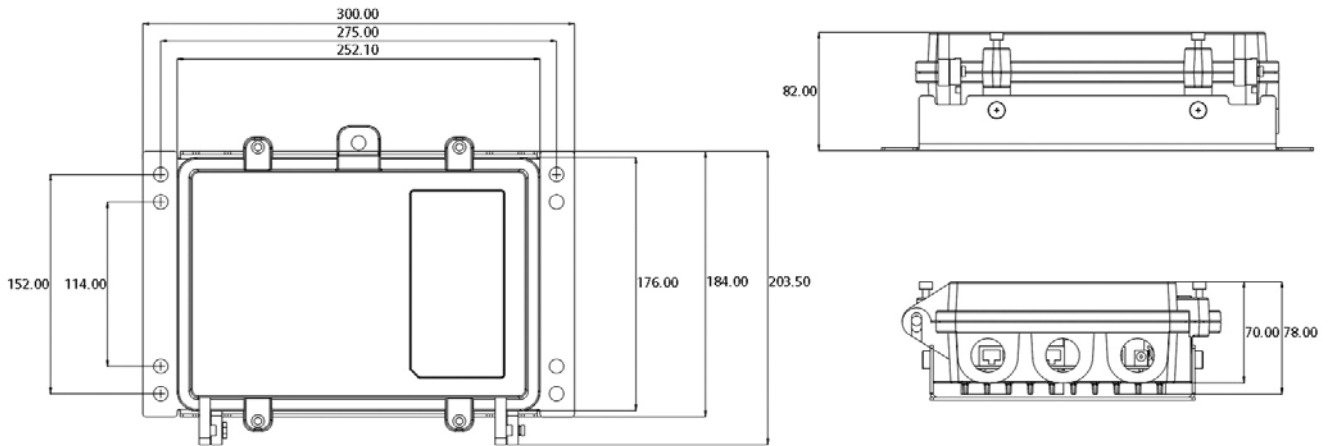
RJ45

**Input/Output Case Ports**

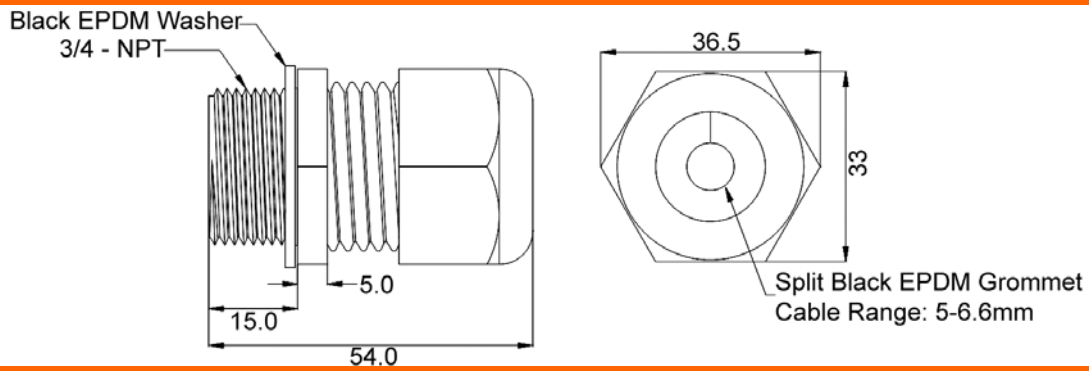
3 ¾ NPT holes compatible with standard ¾ NPT conduit piping or Pihong wire glands PGLAND750/PGLAND750-2 with fully waterproof AC and Ethernet cables.

**Network Switch**

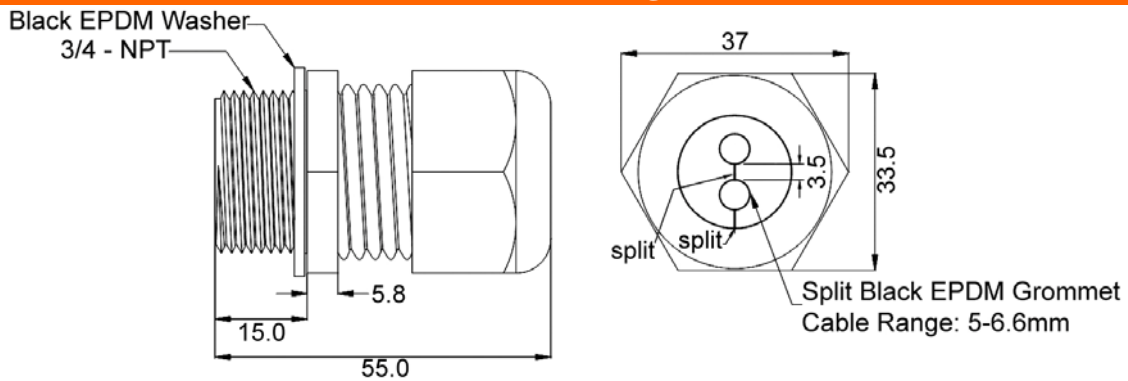
Network Switch must be Environment Rated B as per paragraph 33.4.1.1 of the IEEE802.3at standard.



**Single Cable Gland - PGLAND750\* Dimension Diagram unit:mm**



**Double Cable Gland - PGLAND750-2\* Dimension Diagram unit:mm**



Note \*: Cable Glands are sold separately

