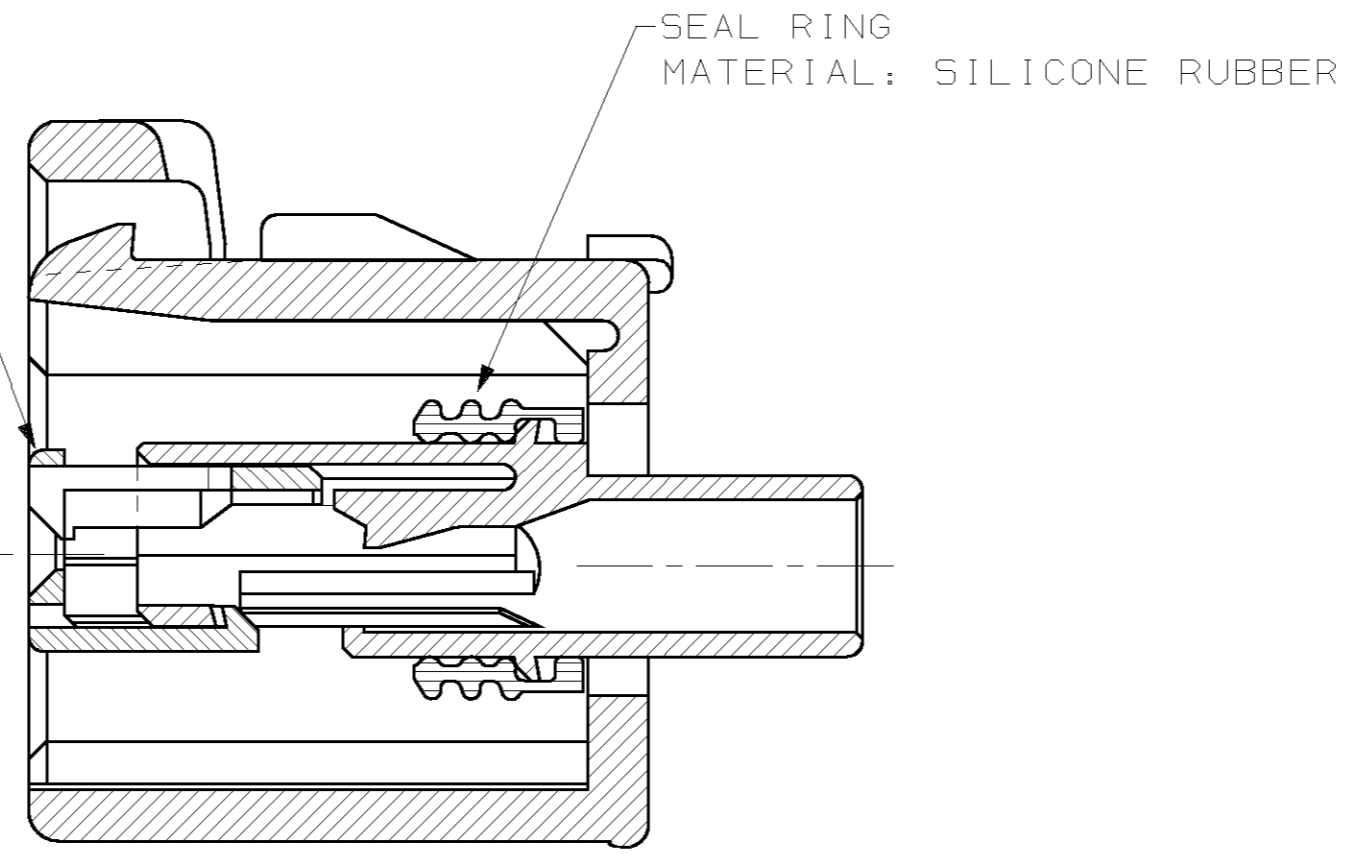
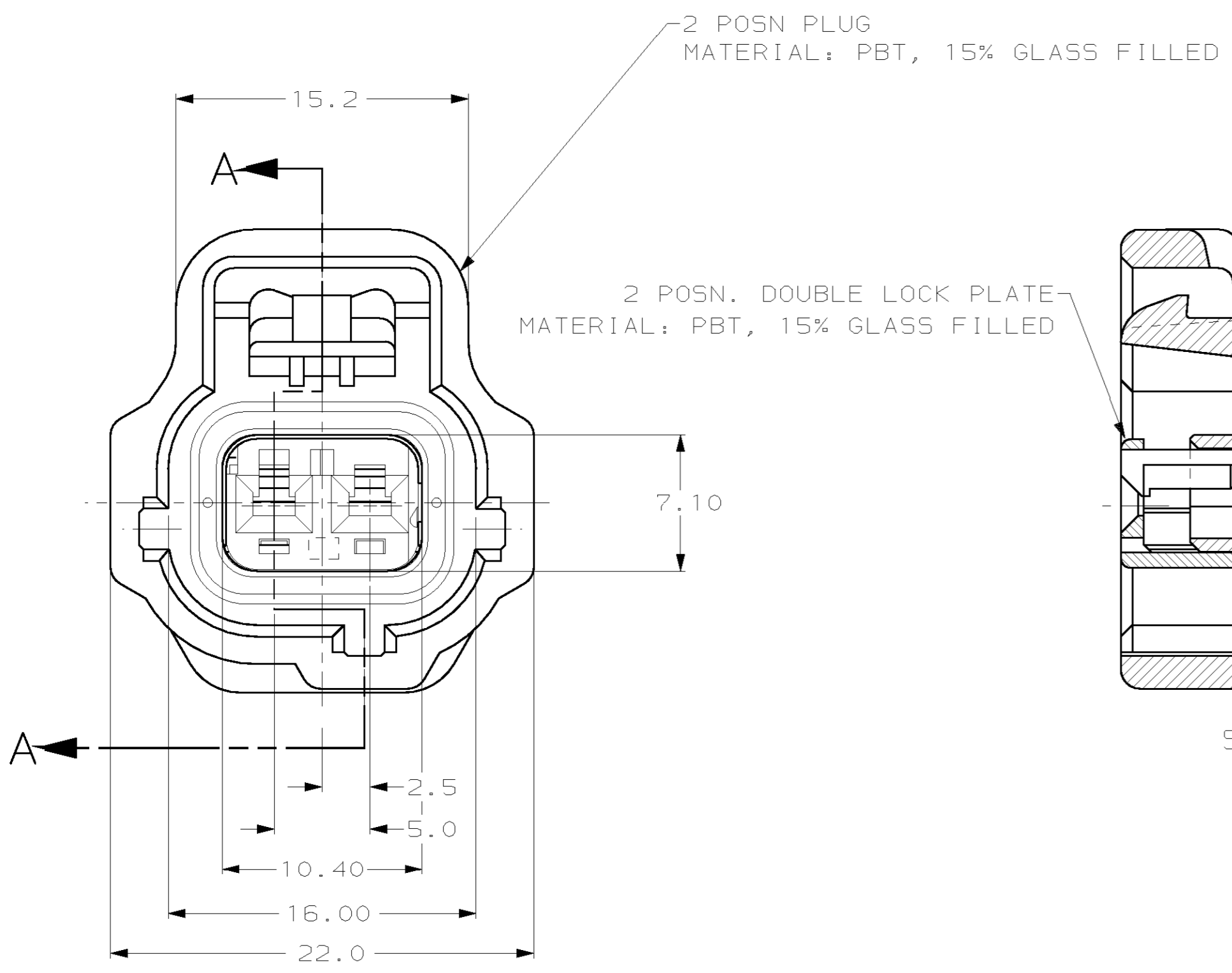
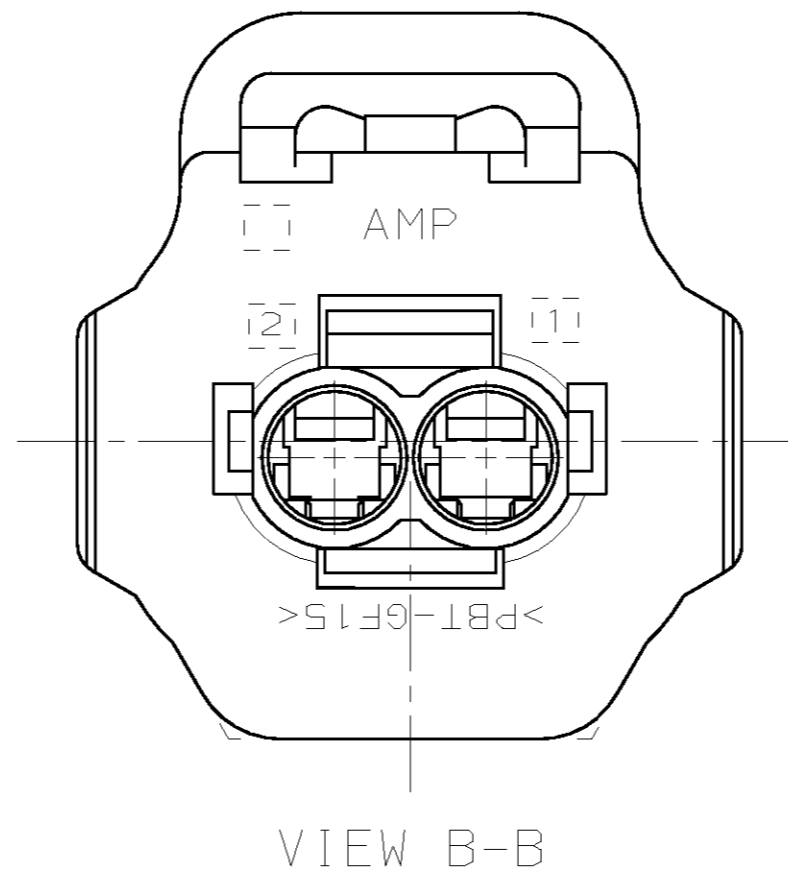
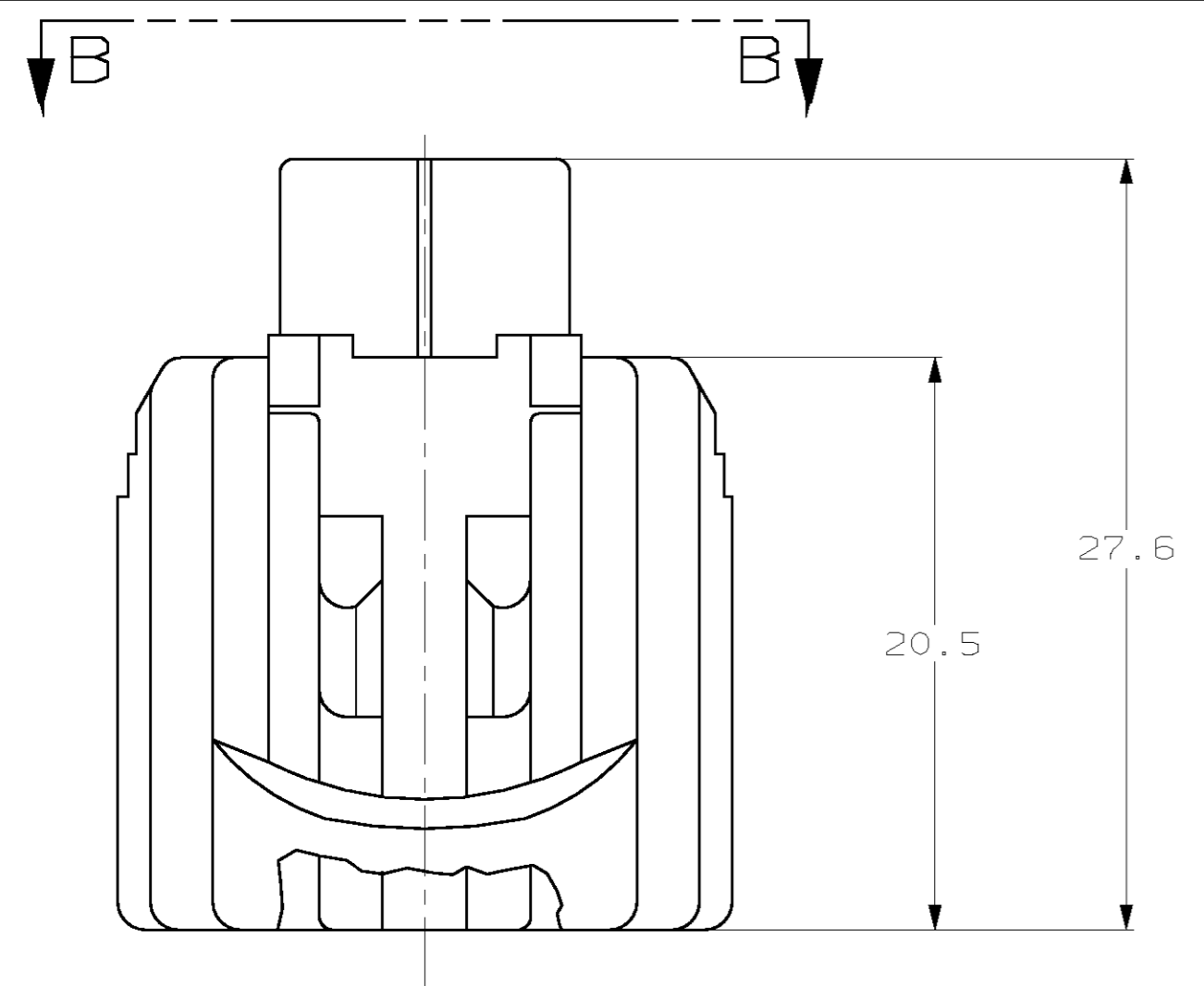


THIS DRAWING IS UNPUBLISHED. RELEASED FOR PUBLICATION .19
 (C) COPYRIGHT 19 BY AMP INCORPORATED. ALL RIGHTS RESERVED.

LOC	DIST	REVISIONS					
		P	LTR	DESCRIPTION	DATE	DWN	APVD
G	16			RELEASED, WAS 92-4072-2313-8	-	-	-
		A		REV PER ECN 0720-0290-94 ADDED -2, 94-4072-026	10-21-94	KDL	JK
		B		REV PER ECN 0720-0446-94	12/16/94	KW	JK
		C		ADD -3 PER ECN 0720-0640-95	05/25/95	KW	JK
		D		REV PER ECN 0K50-0003-96	08/13/96	KW	JK
		E		REV PER EC# 0K40-0140-00	7-10-00	PC	GI



SECTION A-A

KEYING TYPE H

THIS DRAWING IS A CONTROLLED DOCUMENT FOR AMP INCORPORATED. IT IS SUBJECT TO CHANGE AND THE CONTROLLING ENGINEERING ORGANIZATION SHOULD BE CONTACTED FOR THE LATEST REVISION.

DIMENSIONS:	TOLERANCES UNLESS OTHERWISE SPECIFIED:
mm	
	0 PLC ±-
	1 PLC ±0.30
	2 PLC ±0.15
	3 PLC ±-
	4 PLC ±-
	ANGLES ±1°
MATERIAL	FINISH
-	-

DWN	KD LYTLE	3/25/94
CHK	JP KUNKLE	4/19/94
APVD	-	-
PRODUCT SPEC	-	-
APPLICATION SPEC	-	-
WEIGHT	-	-
CUSTOMER DRAWING	-	-

BROWN	184014-3
GREEN	184014-2
BLACK	184014-1
PLUG COLOR	PART NO
AMP AMP Incorporated Harrisburg, PA 17105-3608	
1 X 2 PLG ASY KEY H-C3	
SIZE	CAGE CODE
A2	00779
DRAWING NO	C-184014
SCALE	SHEET
4:1	1 OF 1
REV	E

184014

Mouser Electronics

Authorized Distributor

Click to View Pricing, Inventory, Delivery & Lifecycle Information:

[TE Connectivity:](#)

[184014-2](#)