

Power and error message module - MACX MCR-PTB-SP - 2924184

Please be informed that the data shown in this PDF Document is generated from our Online Catalog. Please find the complete data in the user's documentation. Our General Terms of Use for Downloads are valid (<http://phoenixcontact.com/download>)




Power and fault signaling module with Push-in connection, including corresponding ME 17,5 TBUS 1,5/ 5-ST-3,81 GY DIN rail connector

Your advantages

- ✓ Simple or redundant supply, decoupled from diode, protected against polarization
- ✓ Installation in zone 2 permitted
- ✓ Replaceable fuse
- ✓ Error message in the event of power supply failure or fuse fault
- ✓ Bus cable error message for MACX MCR-...(2)NAM... devices connected via DIN rail connectors
- ✓ Relay output (PDT) and flashing LED for error messages
- ✓ Supply current up to 3.75 A



Key Commercial Data

Packing unit	1 pc
GTIN	 4 046356 342766
GTIN	4046356342766

Technical data

Note

Utilization restriction	EMC: class A product, see manufacturer's declaration in the download area
-------------------------	---------------------------------------------------------------------------

Dimensions

Width	17.5 mm
Height	99 mm
Depth	114.5 mm

Ambient conditions

Degree of protection	IP20
----------------------	------

Power and error message module - MACX MCR-PTB-SP - 2924184

Technical data

Ambient conditions

Ambient temperature (operation)	-20 °C ... 60 °C (Any mounting position)
Ambient temperature (storage/transport)	-40 °C ... 80 °C
Permissible humidity (operation)	5 % ... 95 % (non-condensing)
Degree of pollution	2

General

Degree of protection	IP20
----------------------	------

Standards and Regulations

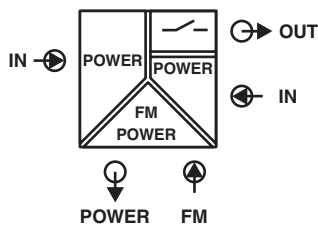
Flammability rating according to UL 94	V0
Conformance	CE-compliant
ATEX	# II 3 G Ex nA nC IIC T4 Gc X
IECEX	Ex nA nC IIC T4 Gc X
UL, USA/Canada	UL 61010 Listed
	Class I, Div. 2, Groups A, B, C, D T5
	Class I, Zone 2, Group IIC

Environmental Product Compliance

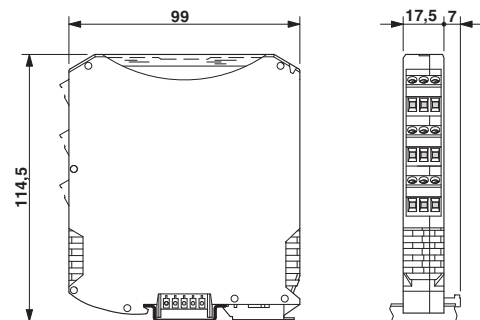
China RoHS	Environmentally Friendly Use Period = 50
	For details about hazardous substances go to tab "Downloads", Category "Manufacturer's declaration"

Drawings

Pictogram

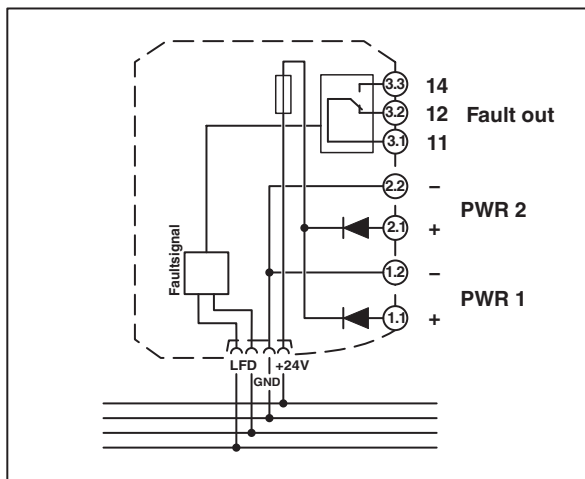


Dimensional drawing



Power and error message module - MACX MCR-PTB-SP - 2924184

Block diagram



Approvals

Approvals

Approvals

DNV GL / UL Listed / cUL Listed / cULus Listed

Ex Approvals

IECEx / ATEX / UL Listed / cUL Listed / EAC Ex / cULus Listed

Approval details

DNV GL		http://exchange.dnv.com/tari/	TAA00000AG
--------	--	---------------------------------------------------------------------------	------------

UL Listed		http://database.ul.com/cgi-bin/XYV/template/LISEXT/1FRAME/index.htm	FILE E 330267
-----------	--	-------------------------------------------------------------------------------------------------------------------------------------------------------	---------------

cUL Listed		http://database.ul.com/cgi-bin/XYV/template/LISEXT/1FRAME/index.htm	FILE E 330267
------------	--	-------------------------------------------------------------------------------------------------------------------------------------------------------	---------------

Power and error message module - MACX MCR-PTB-SP - 2924184

Approvals

cULus Listed



Phoenix Contact 2019 © - all rights reserved
<http://www.phoenixcontact.com>

PHOENIX CONTACT GmbH & Co. KG
Flachsmarktstr. 8
32825 Blomberg
Germany
Tel. +49 5235 300
Fax +49 5235 3 41200
<http://www.phoenixcontact.com>