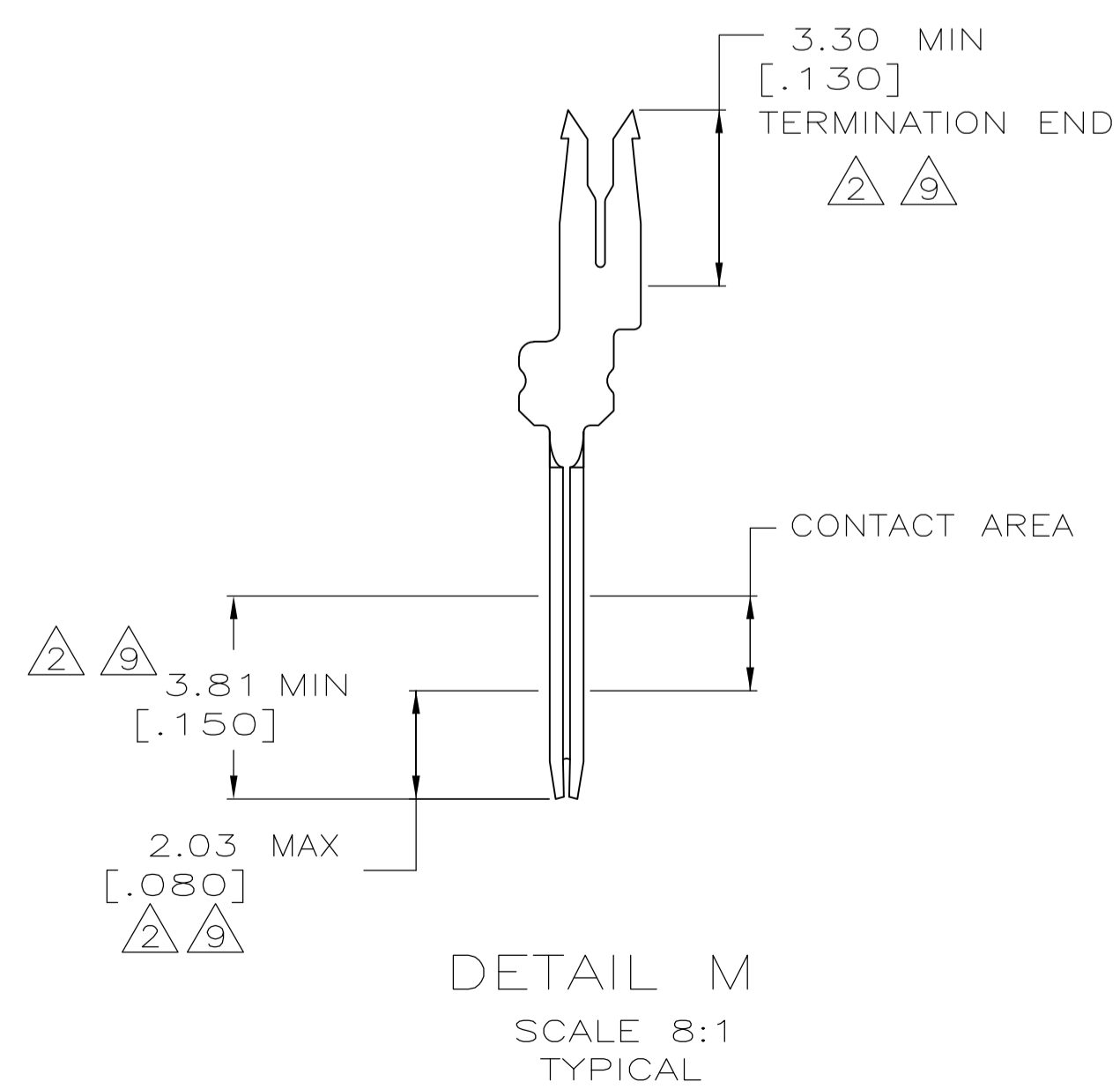
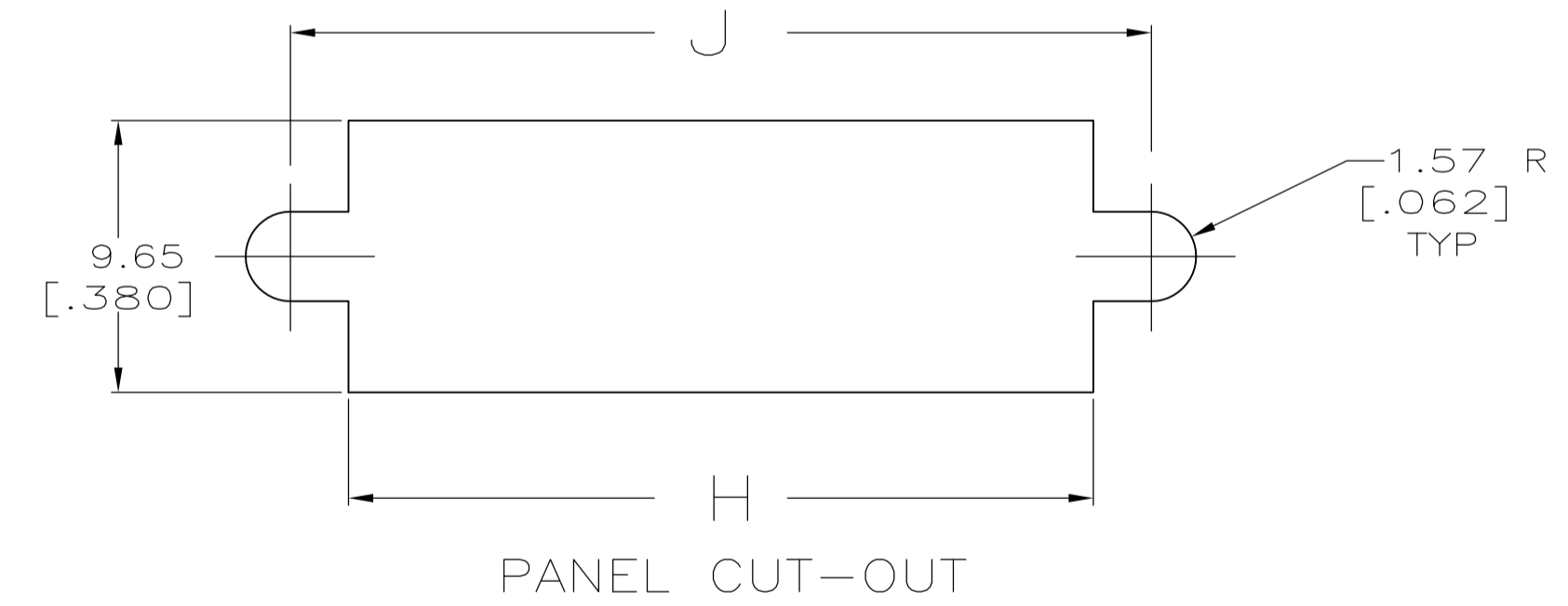
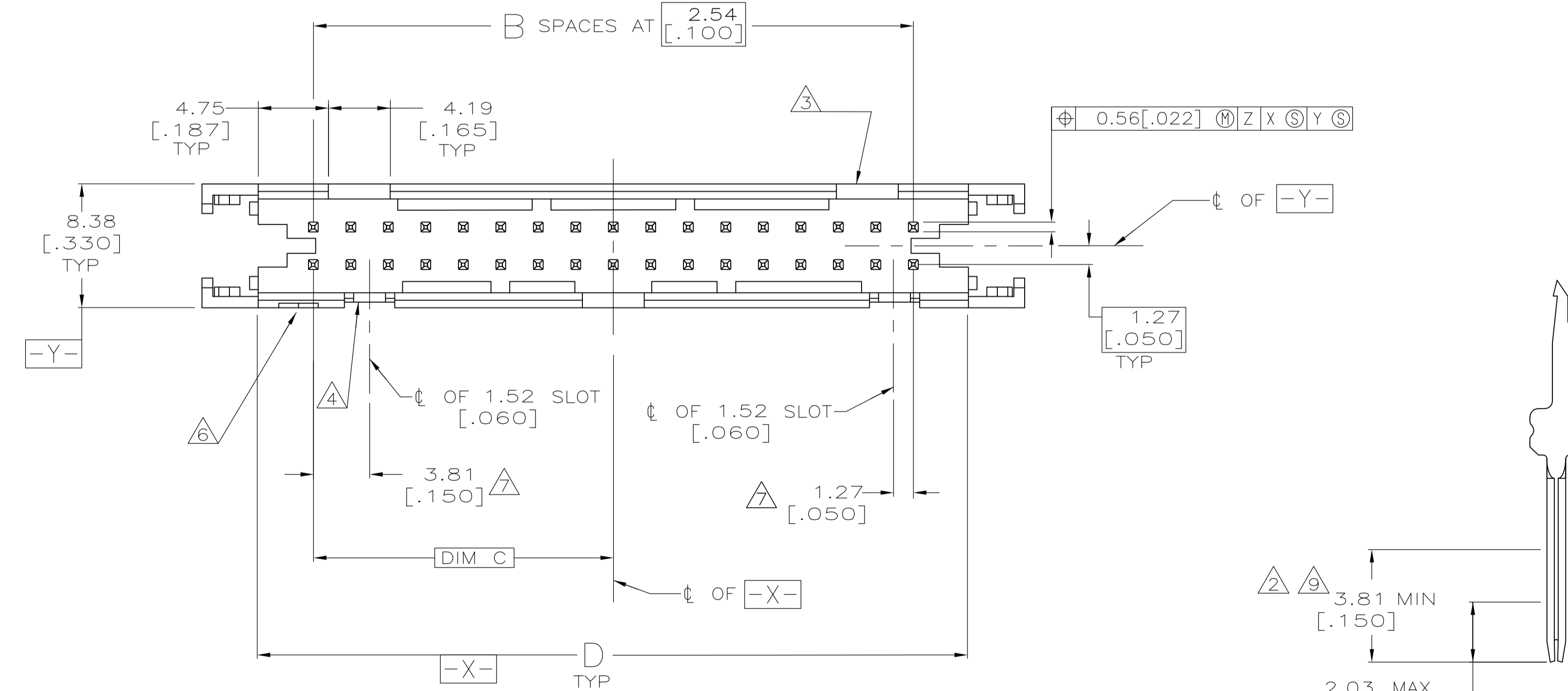
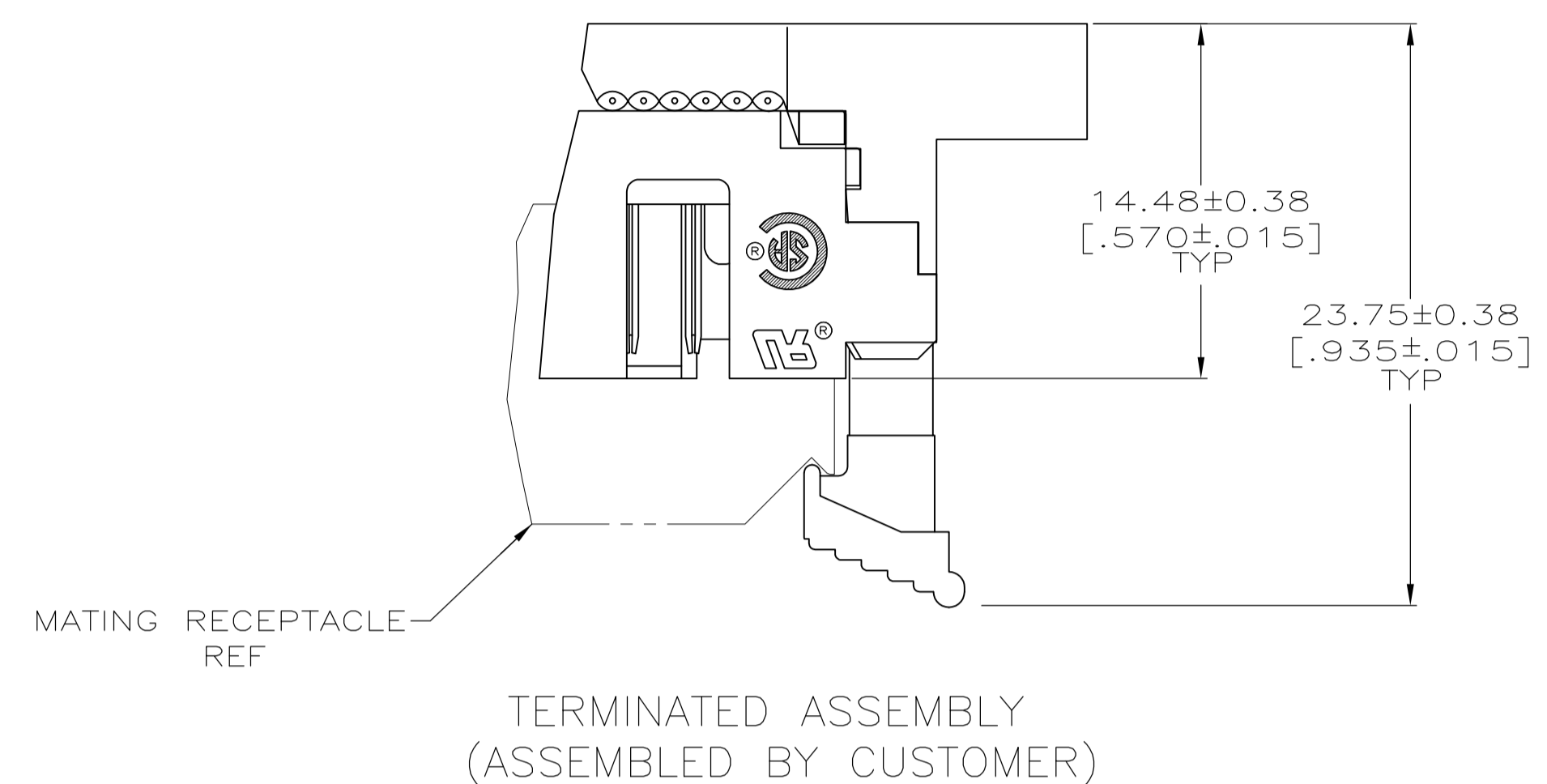
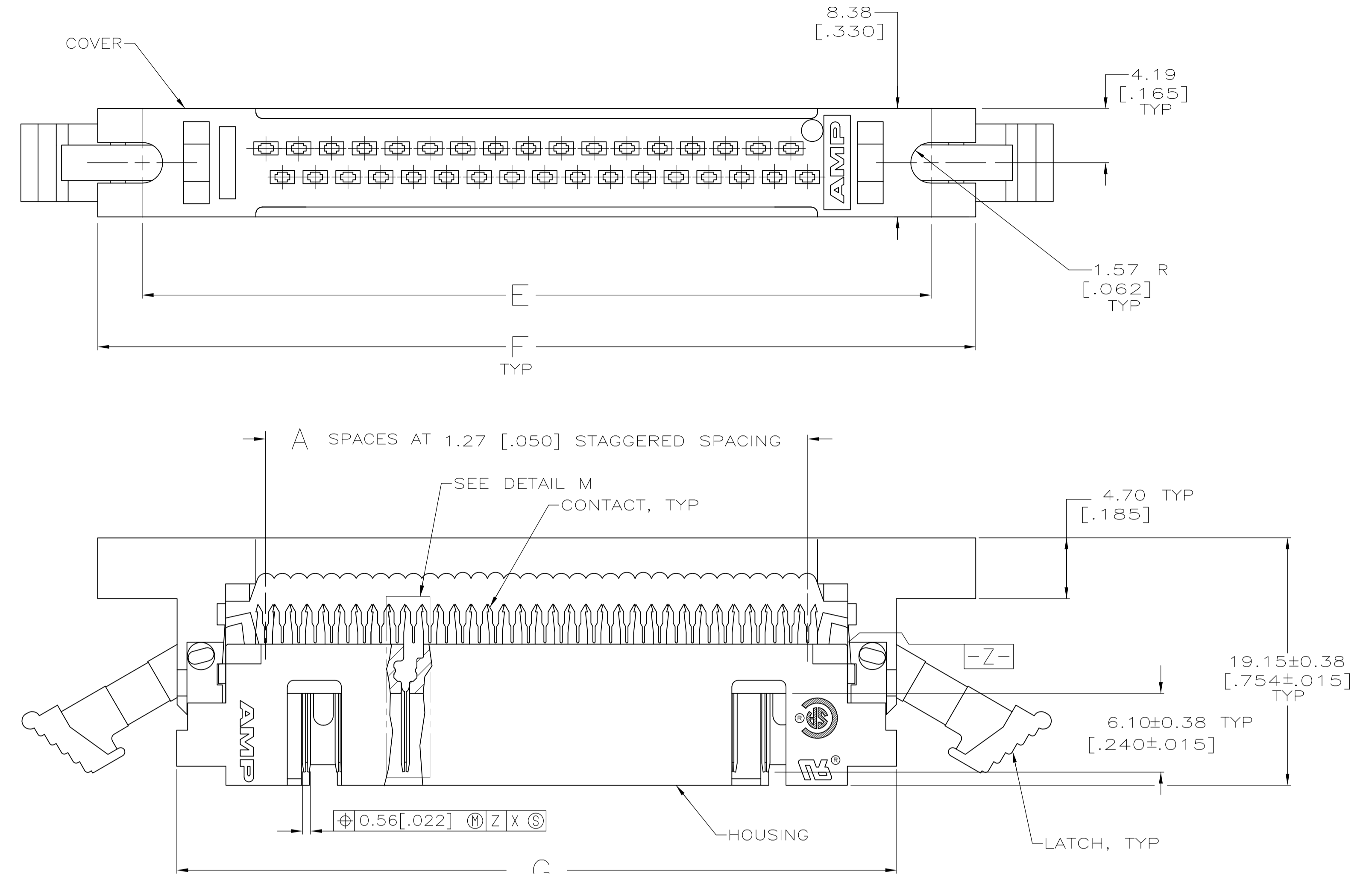


LOC		DIST		REVISONS			
GP	00	F	LTR	DESCRIPTION	DATE	DWN	APVD
J	REVISED PER	ECO-11-010351			10AUG2011	CJV	CWR



COVER AND LATCH NOT SHOWN IN THIS VIEW FOR CLARITY

THIS DRAWING IS A CONTROLLED DOCUMENT.		DWG: J.GERACE	20JUL04	TE Connectivity UNIVERSAL I/O PIN CONNECTOR, SLOTTED MOUNTING EARS, STANDARD COVER LATCHES, AMP-LATCH			
		CHK: C.ROHDE	20JUL04				
DIMENSIONS: mm [INCHES]		TOLERANCES UNLESS OTHERWISE SPECIFIED:		PRODUCT SPEC: APPLICATION SPEC: MATERIAL: SEE SHEET 1			
0 PLC ± - 1 PLC ± - 2 PLC ± 0.13[.005] 3 PLC ± - 4 PLC ± - ANGLES ± -				SIZE: A1		CAGE CODE: 00779	
				DRAWING NO: 111494		REV: 2	
CUSTOMER DRAWING				SCALE: 4:1		SHEET 1 OF 2	

- 1 FLAME RETARDANT 94V-0 RATED THERMOPLASTIC; BLACK.
- 2 2.54µm [.000100] MIN BRIGHT TIN-LEAD ON TERMINATION END, 0.76µm [.000030] MIN GOLD ON CONTACT AREA, ALL OVER 1.27µm [.000050] MIN NICKEL.
- 3 NO SLOT ON THIS END FOR 10 POSITION HOUSINGS.
- 4 NO SLOT FOR SNAP-IN POLARIZER ON THIS END FOR 10 AND 14 POSITION HOUSINGS.
- 5. FOR MILITARY POLARIZATION, ORDER SNAP-IN POLARIZER 499991-2 (BULK PACK OF 50).
- 6 POSITION NO 1 INDICATOR.
- 7 COORDINATE DIMENSION APPLIES FROM CENTER OF ACTUAL FEATURE.
- 8 PHOSPHOR BRONZE PER QQ-B-750.
- 9 2.54µm [.000100] MIN MATTE TIN ON TERMINATION END, 0.76µm [.000030] MIN GOLD ON CONTACT AREA, ALL OVER 1.27µm [.000050] MIN NICKEL.  
 -OR-  
 GOLD FLASH OVER PALLADIUM-NICKEL 0.76µm [.000030] TOTAL ON CONTACT AREA, 2.54µm [.000100] MIN MATTE TIN ON TERMINATION END, ALL OVER 1.27µm [.000050] MIN NICKEL.
- 10 OBSOLETE.
- 11 OBSOLETE PARTS: OBSOLETE CIS STREAMLINING PER D.RENAUD/D.SINISI.

9	99.16 [3.904]	95.05 [3.742]	93.78 [3.692]	106.07 [4.176]	99.16 [3.904]	86.21 [3.394]	39.37 [1.550]	31	63	64	2-111494-6
9	94.08 [3.704]	89.97 [3.542]	88.70 [3.492]	100.99 [3.976]	94.08 [3.704]	81.13 [3.194]	36.83 [1.450]	29	59	60	2-111494-5
9	81.38 [3.204]	77.27 [3.042]	68.38 [2.992]	88.29 [3.476]	81.38 [3.204]	68.43 [2.694]	30.48 [1.200]	24	49	50	2-111494-4
9	73.76 [2.904]	69.65 [2.742]	68.38 [2.692]	80.67 [3.176]	73.76 [2.904]	60.81 [2.394]	26.67 [1.050]	21	43	44	2-111494-3
9	68.68 [2.704]	64.57 [2.542]	63.30 [2.492]	75.59 [2.976]	68.68 [2.704]	55.73 [2.194]	24.13 [.950]	19	39	40	2-111494-2
9	61.06 [2.404]	56.95 [2.242]	55.68 [2.192]	67.97 [2.676]	61.06 [2.404]	48.11 [1.894]	20.32 [.800]	16	33	34	2-111494-1
9	55.98 [2.204]	51.87 [2.042]	50.60 [1.992]	62.89 [2.476]	55.98 [2.204]	43.03 [1.694]	17.78 [.700]	14	29	30	2-111494-0
9	48.36 [1.904]	44.25 [1.742]	42.98 [1.692]	55.27 [2.176]	48.36 [1.904]	35.41 [1.394]	13.97 [.550]	11	23	24	1-111494-9
9	43.28 [1.704]	39.17 [1.542]	37.90 [1.492]	50.19 [1.976]	43.28 [1.704]	30.33 [1.194]	11.43 [.450]	9	19	20	1-111494-8
10	38.20 [1.504]	34.09 [1.342]	32.82 [1.292]	45.11 [1.776]	38.20 [1.504]	25.25 [.994]	8.89 [.350]	7	15	16	1-111494-7
10	35.66 [1.404]	31.55 [1.242]	30.28 [1.192]	42.57 [1.676]	35.66 [1.404]	22.71 [.894]	7.62 [.300]	6	13	14	1-111494-6
10	30.58 [1.204]	26.47 [1.042]	25.20 [.992]	37.49 [1.476]	30.58 [1.204]	17.63 [.694]	5.08 [.200]	4	9	10	1-111494-5
10	50.90 [2.004]	46.79 [1.842]	45.52 [1.792]	57.81 [2.276]	50.90 [2.004]	37.95 [1.494]	15.24 [.600]	12	25	26	1-111494-4
SUPERCEDED	99.16 [3.904]	95.05 [3.742]	93.78 [3.692]	106.07 [4.176]	99.16 [3.904]	86.21 [3.394]	39.37 [1.550]	31	63	64	1-111494-3
SUPERCEDED	94.08 [3.704]	89.97 [3.542]	88.70 [3.492]	100.99 [3.976]	94.08 [3.704]	81.13 [3.194]	36.83 [1.450]	29	59	60	1-111494-2
11	81.38 [3.204]	77.27 [3.042]	68.38 [2.992]	88.29 [3.476]	81.38 [3.204]	68.43 [2.694]	30.48 [1.200]	24	49	50	1-111494-1
10	73.76 [2.904]	69.65 [2.742]	68.38 [2.692]	80.67 [3.176]	73.76 [2.904]	60.81 [2.394]	26.67 [1.050]	21	43	44	1-111494-0
10	68.68 [2.704]	64.57 [2.542]	63.30 [2.492]	75.59 [2.976]	68.68 [2.704]	55.73 [2.194]	24.13 [.950]	19	39	40	111494-9
SUPERCEDED	61.06 [2.404]	56.95 [2.242]	55.68 [2.192]	67.97 [2.676]	61.06 [2.404]	48.11 [1.894]	20.32 [.800]	16	33	34	111494-8
11	55.98 [2.204]	51.87 [2.042]	50.60 [1.992]	62.89 [2.476]	55.98 [2.204]	43.03 [1.694]	17.78 [.700]	14	29	30	111494-7
10	50.90 [2.004]	46.79 [1.842]	45.52 [1.792]	57.81 [2.276]	50.90 [2.004]	37.95 [1.494]	15.24 [.600]	12	25	26	111494-6
SUPERCEDED	48.36 [1.904]	44.25 [1.742]	42.98 [1.692]	55.27 [2.176]	48.36 [1.904]	35.41 [1.394]	13.97 [.550]	11	23	24	111494-5
11	43.28 [1.704]	39.17 [1.542]	37.90 [1.492]	50.19 [1.976]	43.28 [1.704]	30.33 [1.194]	11.43 [.450]	9	19	20	111494-4
10	38.20 [1.504]	34.09 [1.342]	32.82 [1.292]	45.11 [1.776]	38.20 [1.504]	25.25 [.994]	8.89 [.350]	7	15	16	111494-3
10	35.66 [1.404]	31.55 [1.242]	30.28 [1.192]	42.57 [1.676]	35.66 [1.404]	22.71 [.894]	7.62 [.300]	6	13	14	111494-2
10	30.58 [1.204]	26.47 [1.042]	25.20 [.992]	37.49 [1.476]	30.58 [1.204]	17.63 [.694]	5.08 [.200]	4	9	10	111494-1
CONTACT FINISH	J	H	G	F	E	D	C	B	A	NO OF POSN	PART NUMBER

THIS DRAWING IS A CONTROLLED DOCUMENT.

DIMENSIONS: mm [INCHES]	TOLERANCES UNLESS OTHERWISE SPECIFIED:	DIN C. OBERMAN 8-10-90	TE Connectivity
0 PLC ± .01	1 PLC ± .015	11-28-90	UNIVERSAL I/O PIN CONNECTOR, WITH SLOTTED MOUNTING EARS, WITH STD COVER LATCHES, AMP-LATCH
2 PLC ± .015	3 PLC ± .015	APVD	108-1336
4 PLC ± .015	ANGLES ± .01	NAME	114-7011
MATERIAL	FINISH SEE TABLE	SIZE	SCALE 4:1
		WEIGHT	SHEET 2 OF 2
		CUSTOMER DRAWING	REV J

# Mouser Electronics

Authorized Distributor

Click to View Pricing, Inventory, Delivery & Lifecycle Information:

[TE Connectivity:](#)

[2-111494-4](#)