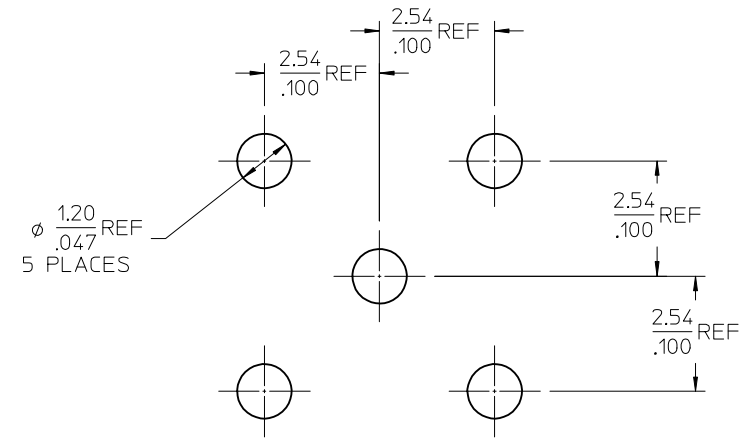
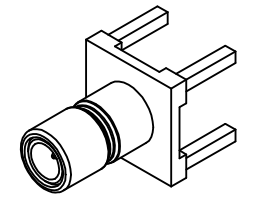
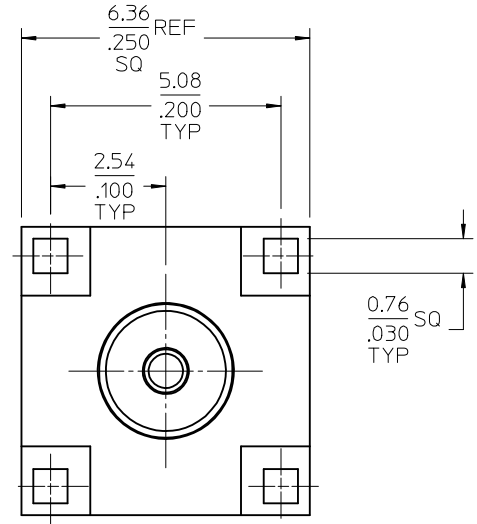
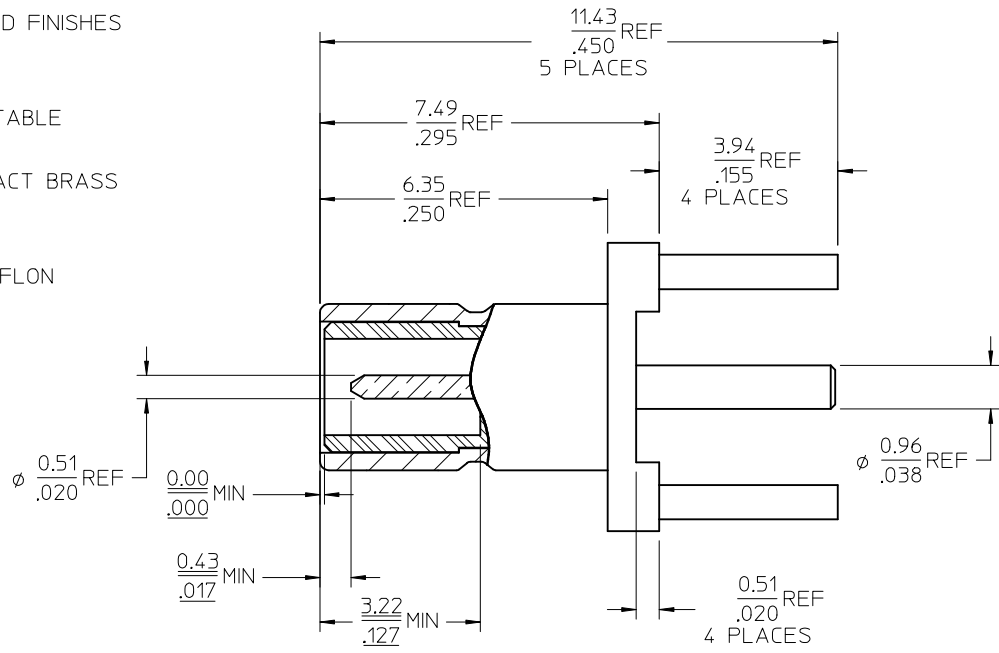


MATERIALS AND FINISHES

BODY BRASS
PLATED SEE TABLE

CENTER CONTACT BRASS
PLATED GOLD

INSULATOR TEFLON



RECOMMENDED PCB MOUNTING HOLE

73396-0591	TRAY/NICKEL (20 PCS)
73396-0590	SMALL TRAY PACKING/GOLD (20 PCS)
73404-2300	73100-0207, ONE PER BAG/GOLD
73100-0207	TRAY/GOLD (80 PCS)
PART NO.	PACKAGING/FINISH

PS-73598-0099	INTERFACE
SPECIFICATION	DESCRIPTION

ADDED QUANTITIES PER RF15-E413	EC NO: URF2016-0432	2015/12/04
DRWNLIN	CHKD:	2015/12/15
APPR: YCHENG	DESCRIPTION	
REV: B4		

QUALITY SYMBOLS	GENERAL TOLERANCES (UNLESS SPECIFIED)
▽=0	mm INCH
▽=0	4 PLACES ± --- ± ---
	3 PLACES ± --- ± ---
	2 PLACES ± --- ± ---
	1 PLACE ± --- ± ---
	ANGULAR ± ---°
	DRAFT WHERE APPLICABLE MUST REMAIN WITHIN DIMENSIONS

DIMENSION STYLE	SCALE	DESIGN UNITS	THIRD ANGLE PROJECTION
MM/IN		METRIC	
DRAWN BY	DATE	TITLE	
IRIS WANG	1995/11/03	SMB JACK, VERTICAL PCB	
CHECKED BY	DATE	50 OHMS	
		SMB-JR/PCB	
APPROVED BY	DATE	MATERIAL NO.	DOCUMENT NO.
		SEE TABLE	SD-73100-0207
		SIZE	SHEET NO.
		C	1 OF 1

MOLEX INCORPORATED	
THIS DRAWING CONTAINS INFORMATION THAT IS PROPRIETARY TO MOLEX INCORPORATED AND SHOULD NOT BE USED WITHOUT WRITTEN PERMISSION	