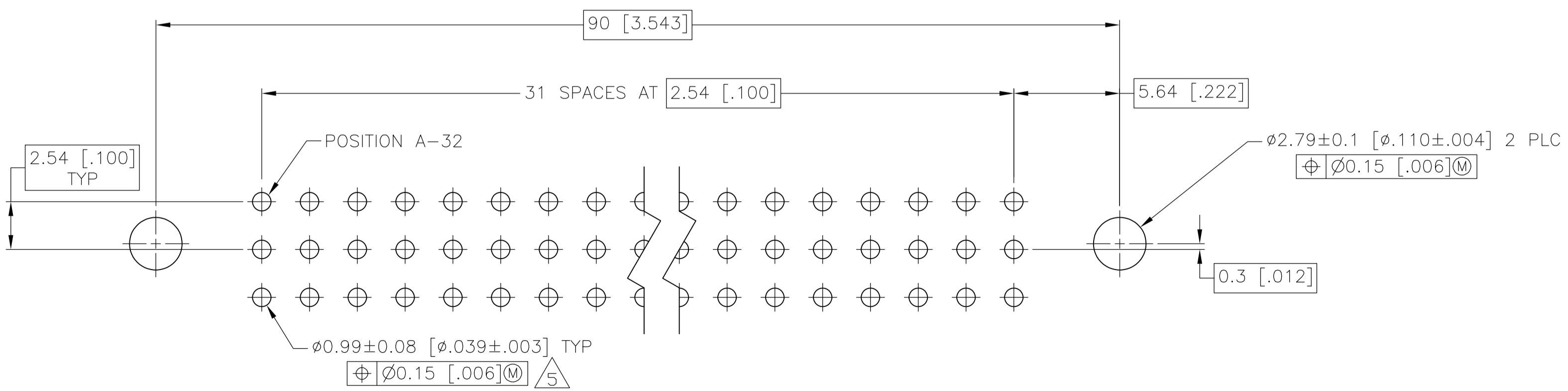
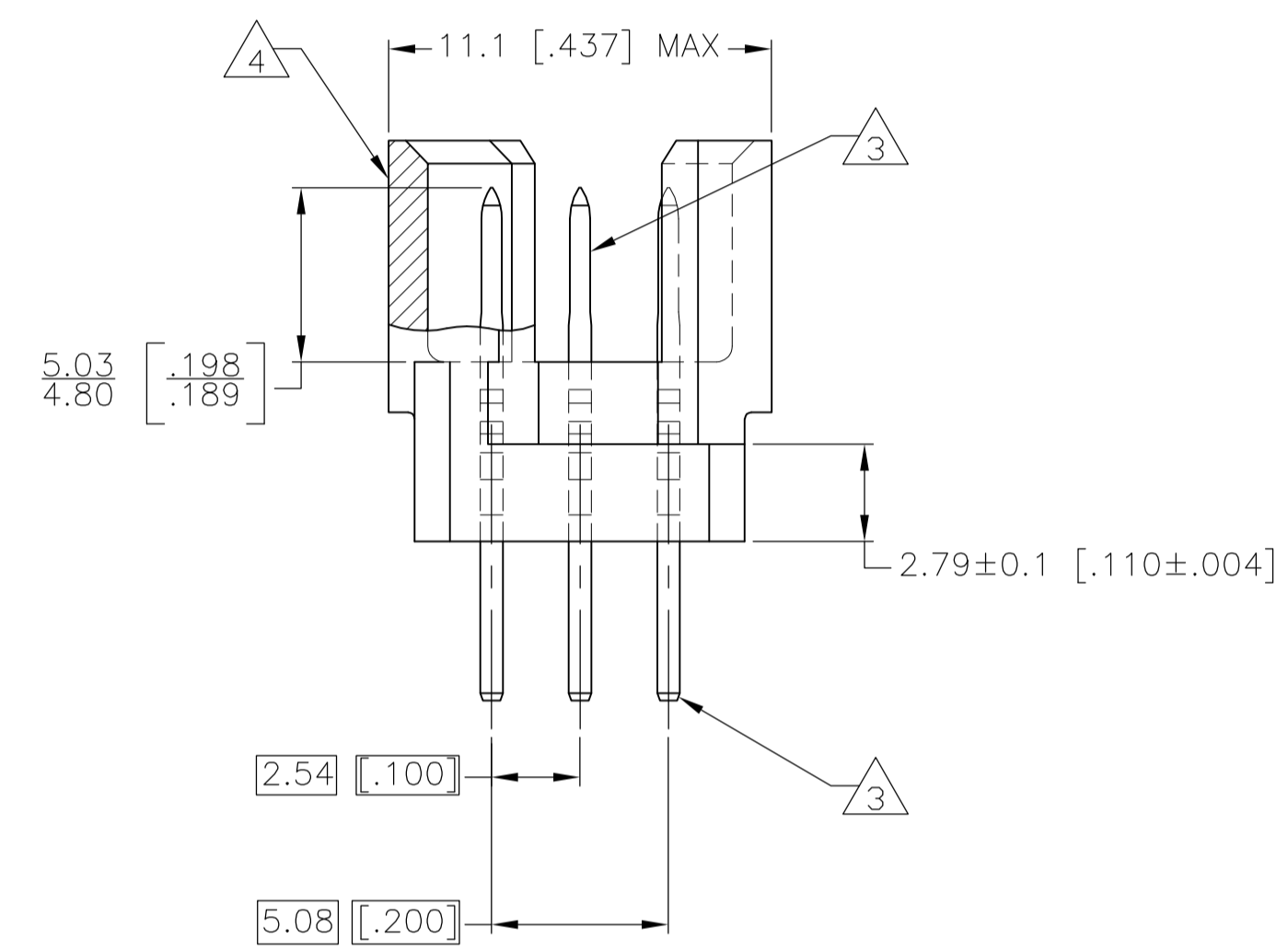


- 1 HOUSING MATERIAL: GLASS-FILLED POLYMER.
- 2 POST MATERIAL: COPPER ALLOY.
- 3 POST FINISH: DIN 41612 CLASS 2 IN CONTACT AREA. TIN PLATE ON POSTS.
- 4 MARKING ON THIS SIDE.
- 5 RECOMMENDED HOLE SIZE FOR MANUAL APPLICATION OF CONNECTOR ONTO PC BOARD.
- 6 PART NUMBER, DATE CODE MARKED THIS APPROXIMATE AREA.



PC BOARD LAYOUT

1-32	X	X	X	96	5650470-5
POSITIONS LOADED	C	B	A	NO OF LOADED POSITIONS	ASSY PART NUMBER

THIS DRAWING IS A CONTROLLED DOCUMENT.		DIN J. POLIGNONE DSMAY05	Tyco Electronics Corporation Harrisburg, PA 17105-3608	
DIMENSIONS: mm [INCHES]		CIK A. SHARPE DSMAY05	NAME ASSEMBLY, PIN, EUROCARD, TYPE R, 96 POSITION 4.57[.180] SOLDER POST	
TOLERANCES UNLESS OTHERWISE SPECIFIED:		APVD A. SHARPE DSMAY05	APPLICATION SPEC	
0 PLC ± -		SIZE CAGE CODE DRAWING NO RESTRICTED TO		
1 PLC ± -		A1 00779 C=5650470		
2 PLC ± 0.13 [.005]		WEIGHT		
3 PLC ± -		CUSTOMER DRAWING		
4 PLC ± -		SCALE 5:1 SHEET 1 OF 1 REV 01		
ANGLES ± -				

Mouser Electronics

Authorized Distributor

Click to View Pricing, Inventory, Delivery & Lifecycle Information:

[TE Connectivity:](#)

[5650470-5](#)