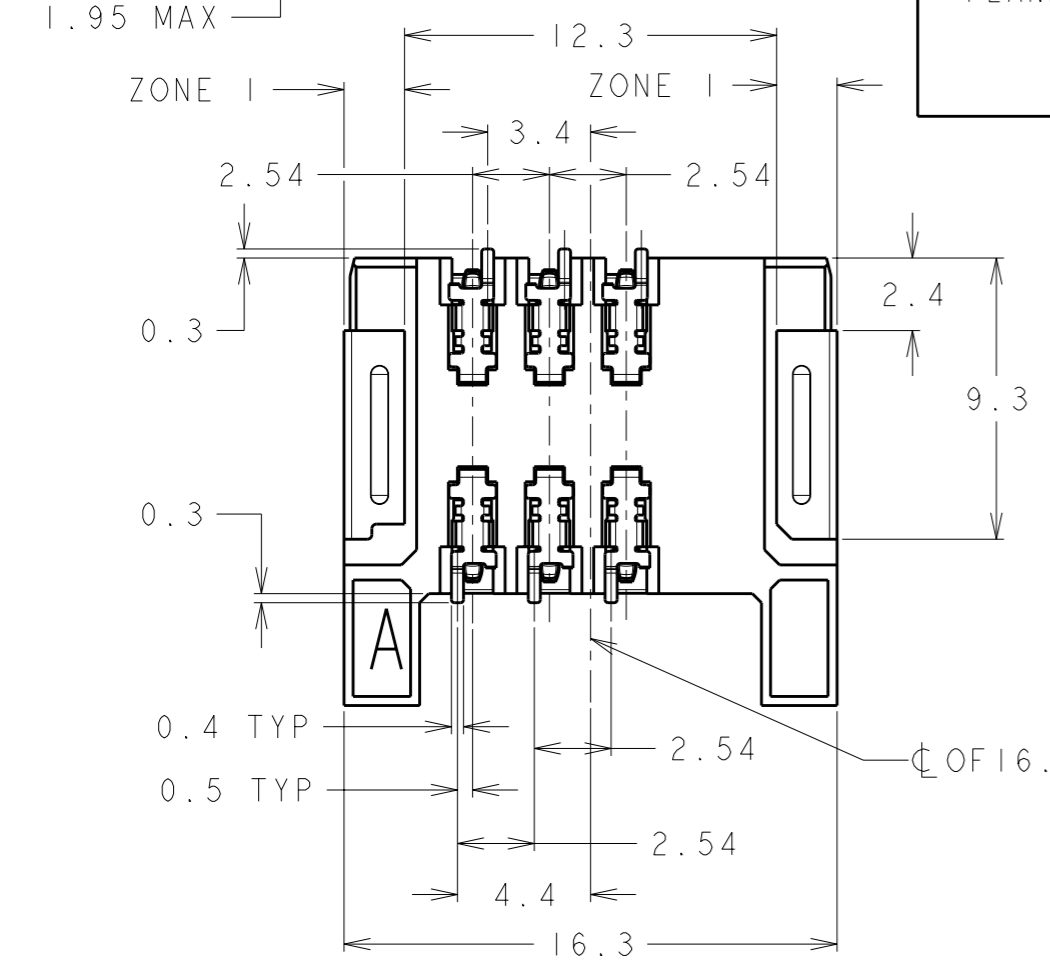
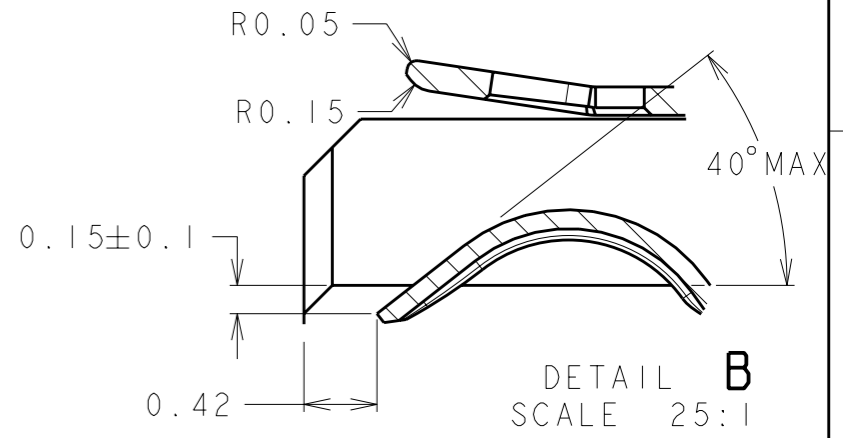
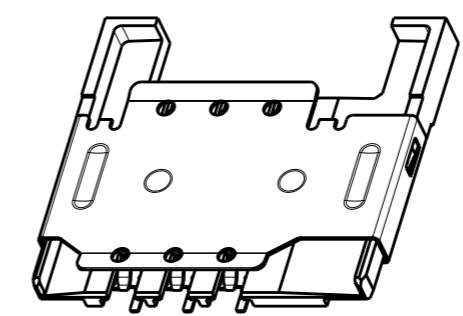
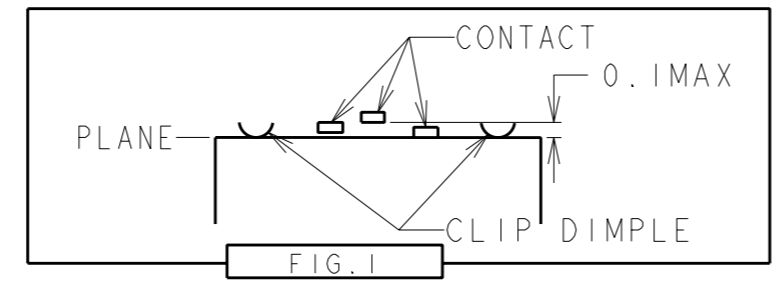
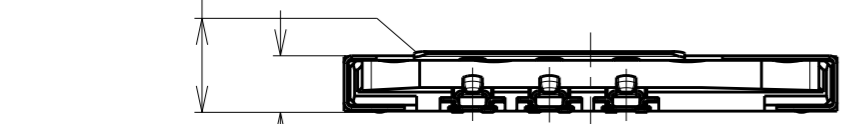
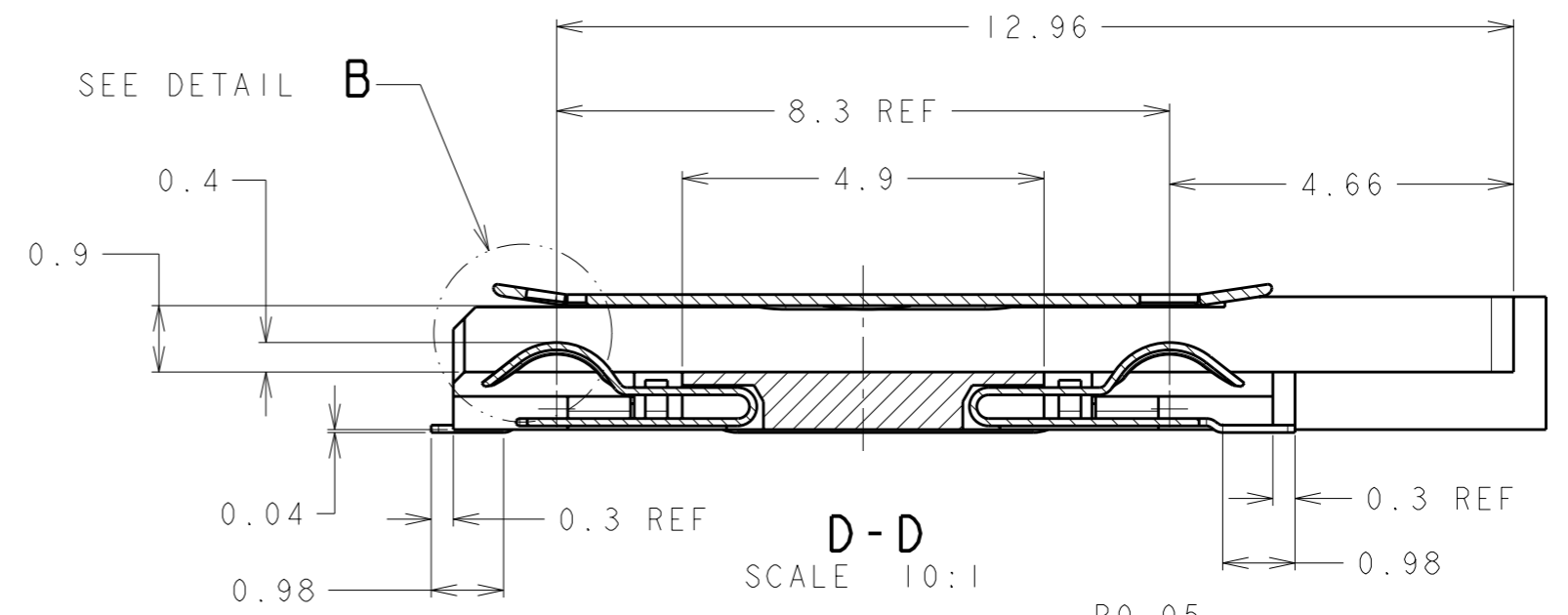
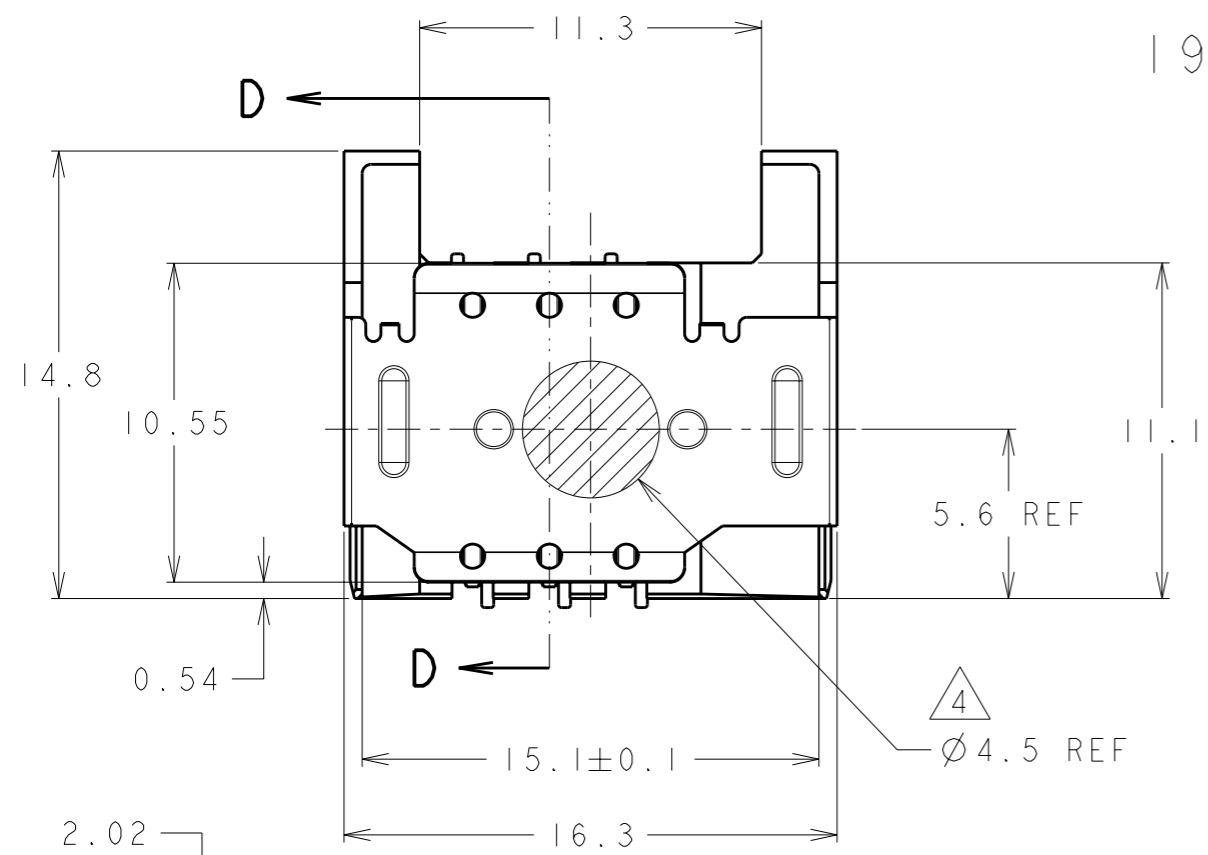


THIS DRAWING IS UNPUBLISHED. RELEASED FOR PUBLICATION 20
 © COPYRIGHT 20 BY TYCO ELECTRONICS CORPORATION. ALL RIGHTS RESERVED.

LOC	DIST	REVISIONS			
P	LTR	DESCRIPTION	DATE	DWN	APVD
ES	00	A	INITIAL RELEASE	04MAY2011	S.W S.Y
		B	REVISED	19JAN2012	S.W S.Y

1932768-1: AS SHOWN

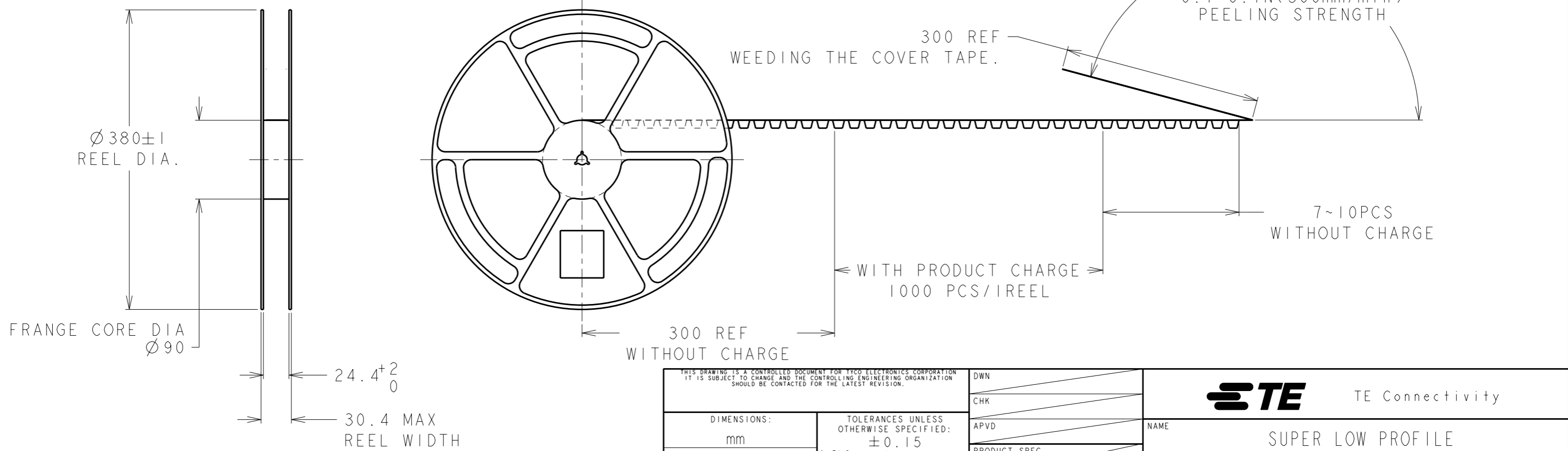
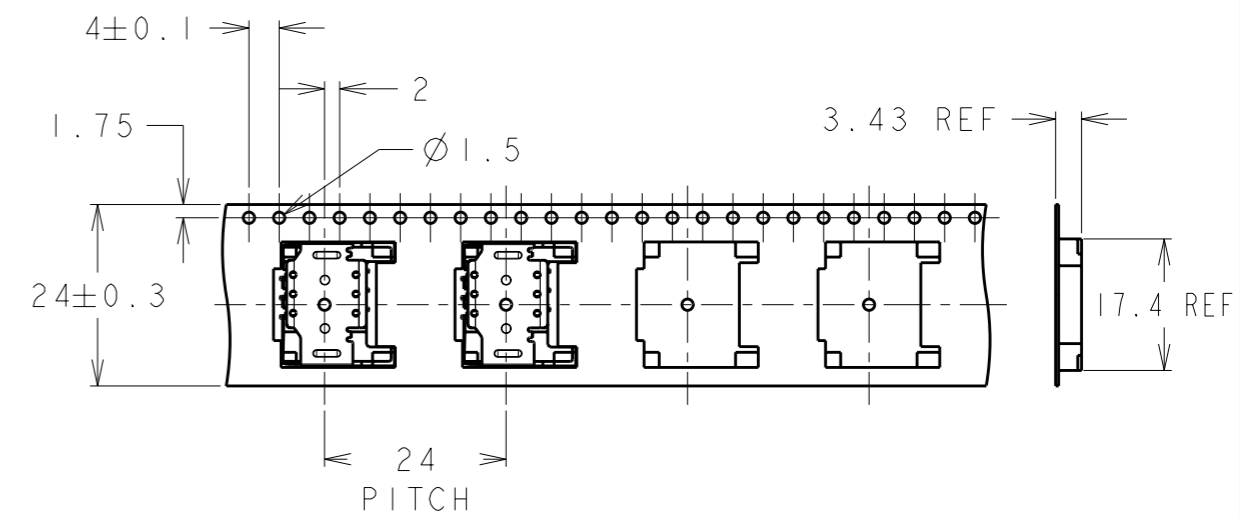
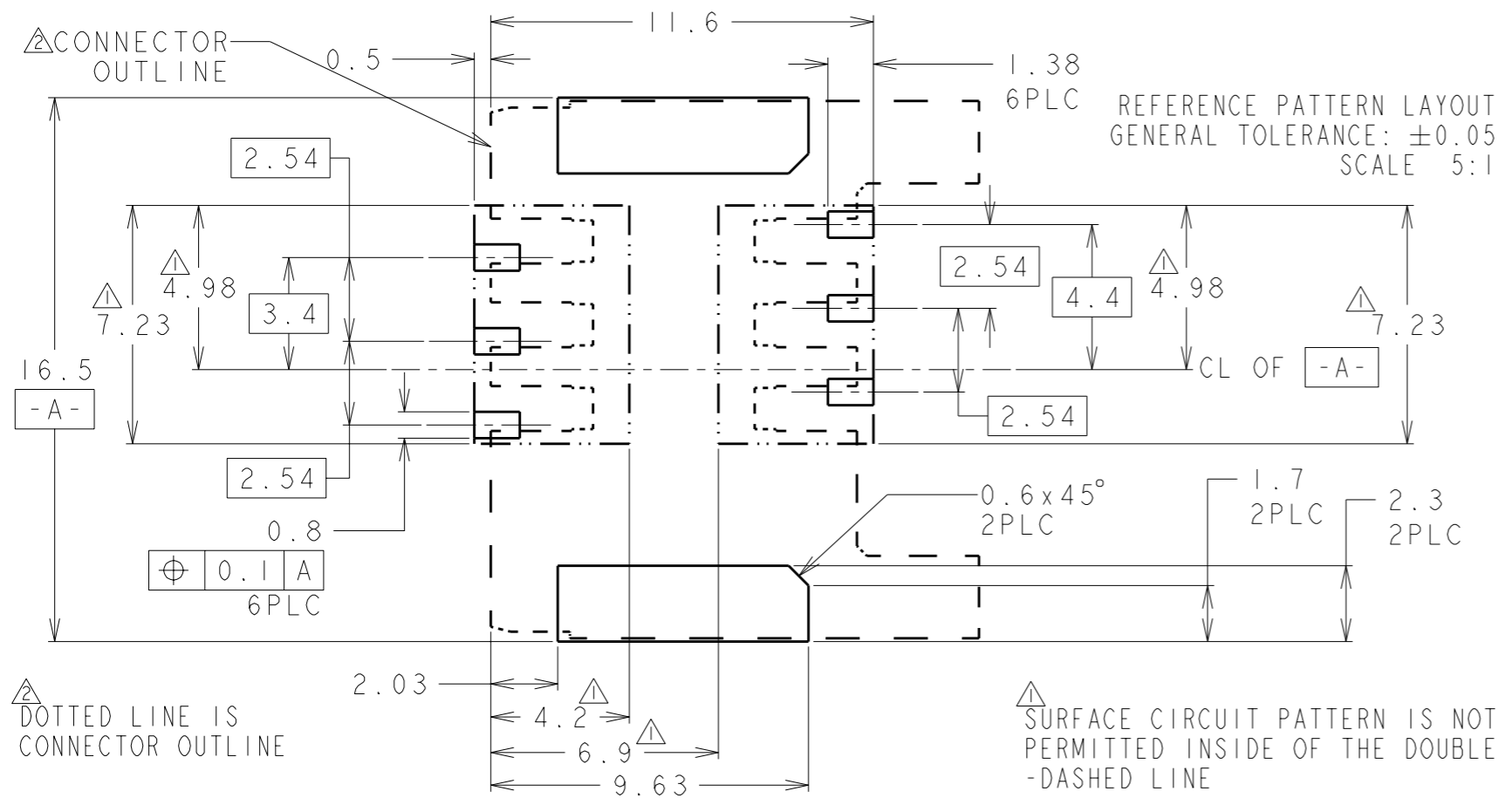


- CONTACT: COPPER ALLOY
 ALL OVER Ni: 1.27um MIN.
 CONTACT AREA PdNi: 1.0um MIN. Au: 0.2um MIN.
 SOLDERING AREA Au: 0.05um MIN.
 - CLIP: SUS
 ALL OVER Ni: 1.3um MIN.
 Tin: 1um MIN(ZONE I).
 - HOUSING: THERMOPLASTIC
- RECOMMENDED SOLDERING THICKNESS: 100um MIN.
 RECOMMENDED SOLDERING AREA:
 100% OF REFERENCE LAYOUT PATTERN
 - COPLANARITY: 0.1MAX. (SEE FIG.1)
 REFERENCE PICK & PLACE AREA.

THIS DRAWING IS A CONTROLLED DOCUMENT FOR TYCO ELECTRONICS CORPORATION IT IS SUBJECT TO CHANGE AND THE CONTROLLING ENGINEERING ORGANIZATION SHOULD BE CONTACTED FOR THE LATEST REVISION.		DWN	3DEC2010	STE TE Connectivity
DIMENSIONS: mm		CHK	Sabrina Wang	
TOLERANCES UNLESS OTHERWISE SPECIFIED: ±0.15		APVD	Wenke He	
0 PLC ± 1 PLC ± 2 PLC ± 3 PLC ± 4 PLC ± ANGLES ±5°		PRODUCT SPEC	3DEC2010	NAME
MATERIAL		APPLICATION SPEC	108-115024	SUPER LOW PROFILE SIM H=1.95 WITH FLANGE
FINISH		WEIGHT	0.46g	SIZE
CUSTOMER DRAWING		A300779C-1932768		CAGE CODE
		SCALE 4:1		DRAWING NO
		SHEET 1 OF 2		RESTRICTED TO
		REV B		

THIS DRAWING IS UNPUBLISHED. RELEASED FOR PUBLICATION 20
 © COPYRIGHT 20 BY TYCO ELECTRONICS CORPORATION. ALL RIGHTS RESERVED.

LOC	DIST	REVISIONS				
P	LTR	DESCRIPTION	DATE	DWN	APVD	
ES	00	-	SEE SHEET 1	-	-	



<small>THIS DRAWING IS A CONTROLLED DOCUMENT FOR TYCO ELECTRONICS CORPORATION IT IS SUBJECT TO CHANGE AND THE CONTROLLING ENGINEERING ORGANIZATION SHOULD BE CONTACTED FOR THE LATEST REVISION.</small>		TE Connectivity	
DIMENSIONS: mm 		NAME SUPER LOW PROFILE SIM H=1.95 WITH FLANGE	
TOLERANCES UNLESS OTHERWISE SPECIFIED: ±0.15 0 PLC ± 1 PLC ± 2 PLC ± 3 PLC ± 4 PLC ± ANGLES ±5°		SIZE CAGE CODE DRAWING NO A300779 C-1932768	
MATERIAL FINISH		RESTRICTED TO	
CUSTOMER DRAWING		SCALE 4:1 SHEET 2 OF 2 REV B	

Mouser Electronics

Authorized Distributor

Click to View Pricing, Inventory, Delivery & Lifecycle Information:

[TE Connectivity:](#)

[1932768-1](#)