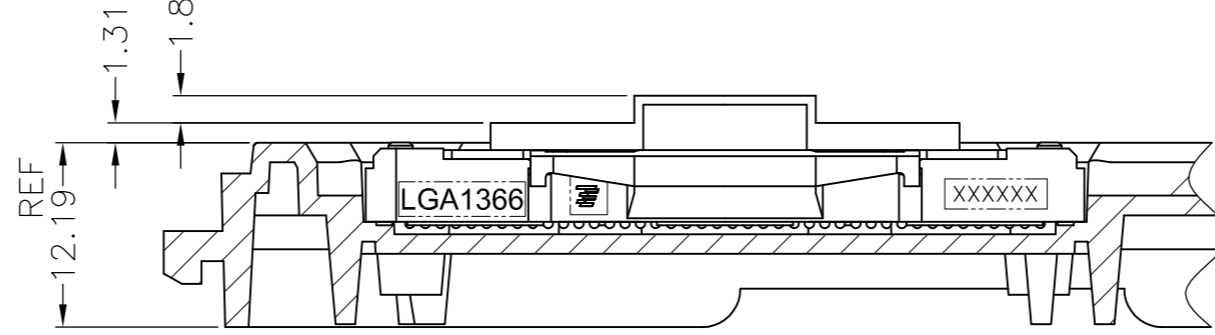
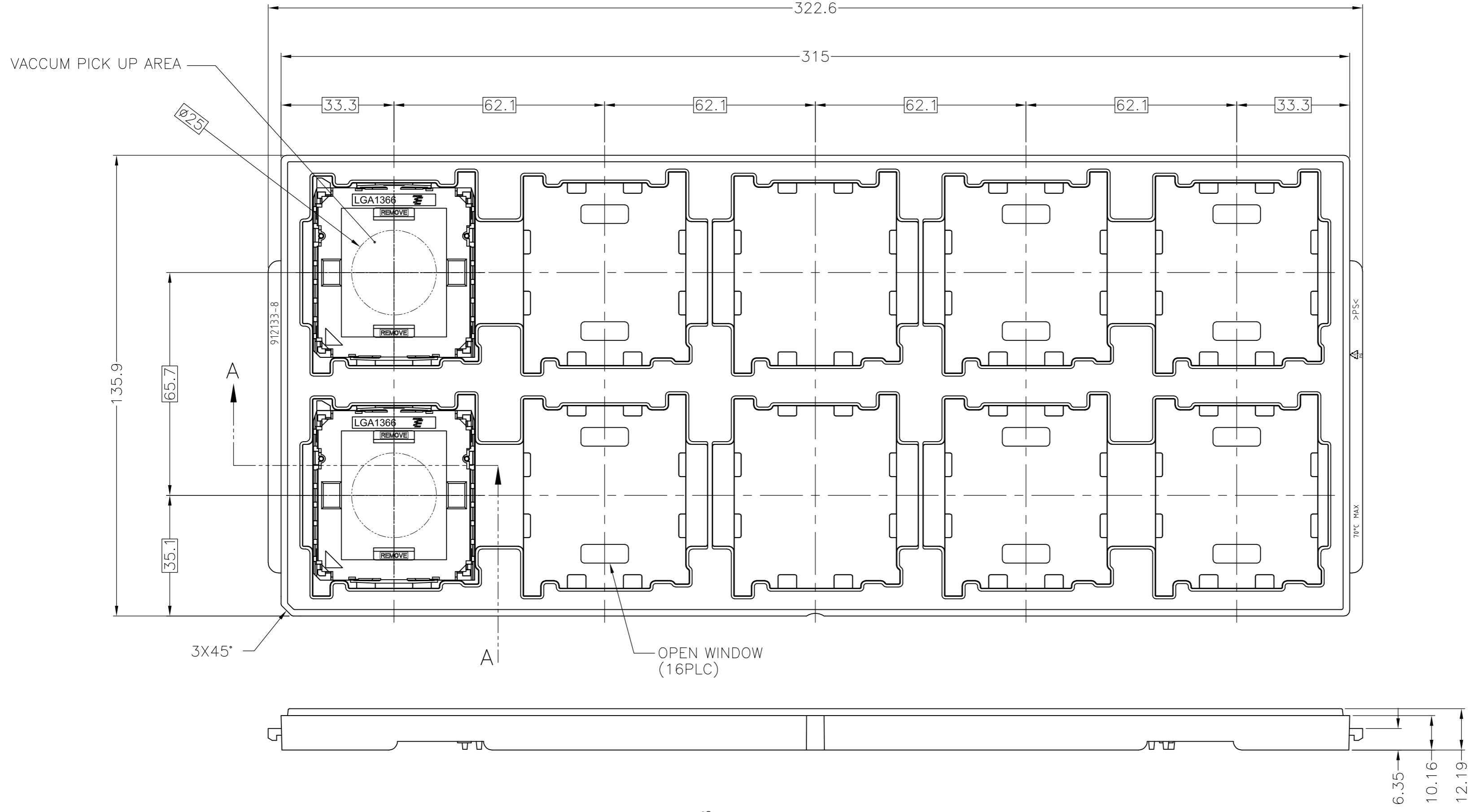


THIS DRAWING IS UNPUBLISHED. RELEASED FOR PUBLICATION  
 © COPYRIGHT - By - ALL RIGHTS RESERVED.

LOC		DIST		REVISIONS			
P	LTR	DESCRIPTION		DATE	DWN	APVD	
-	-	C3	REVISED	07JAN'13	R.W	T.N	



A-A (SCALE 2:1)  
 (SOCKET ASSY IS NOT SECTIONED)

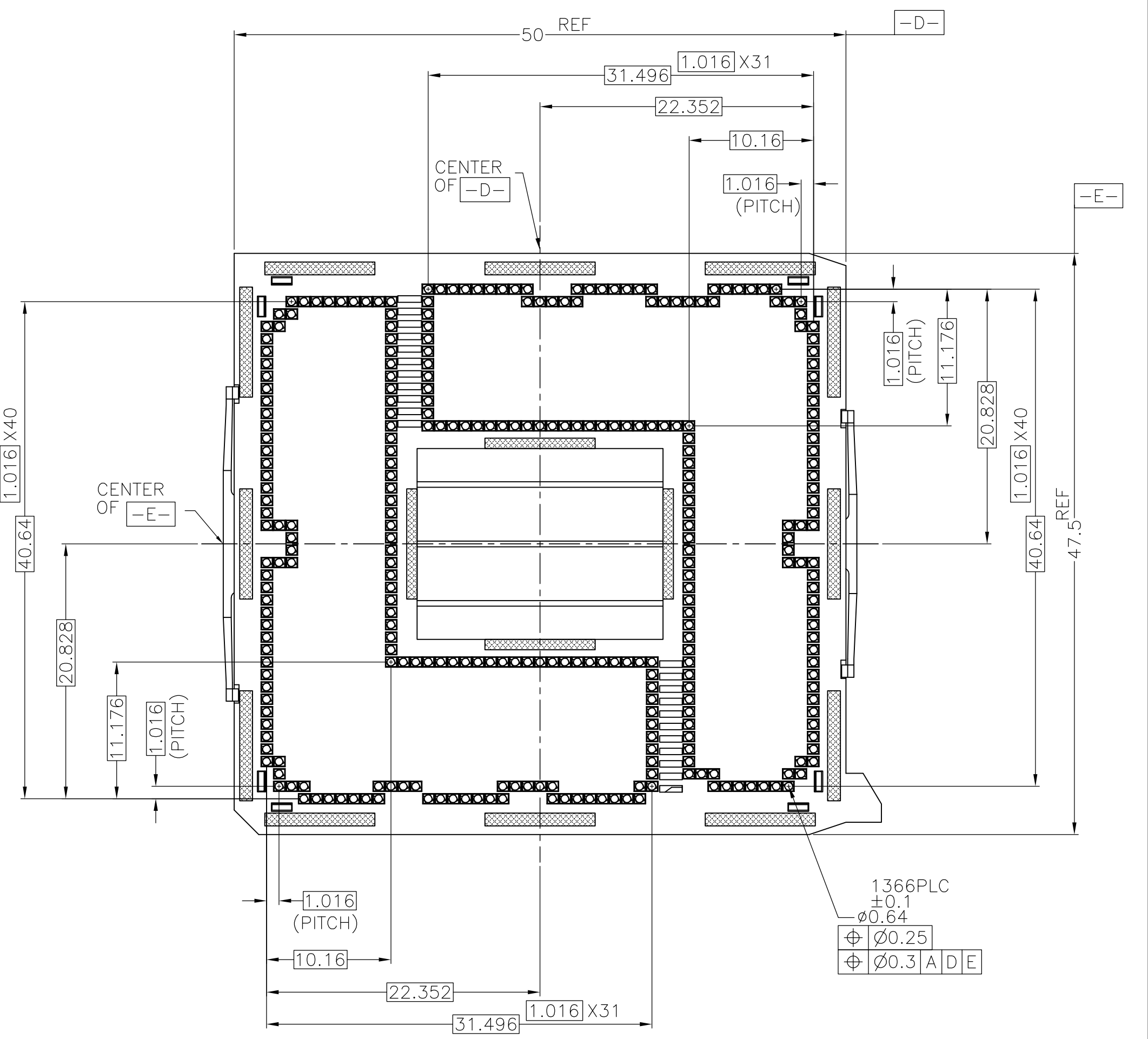
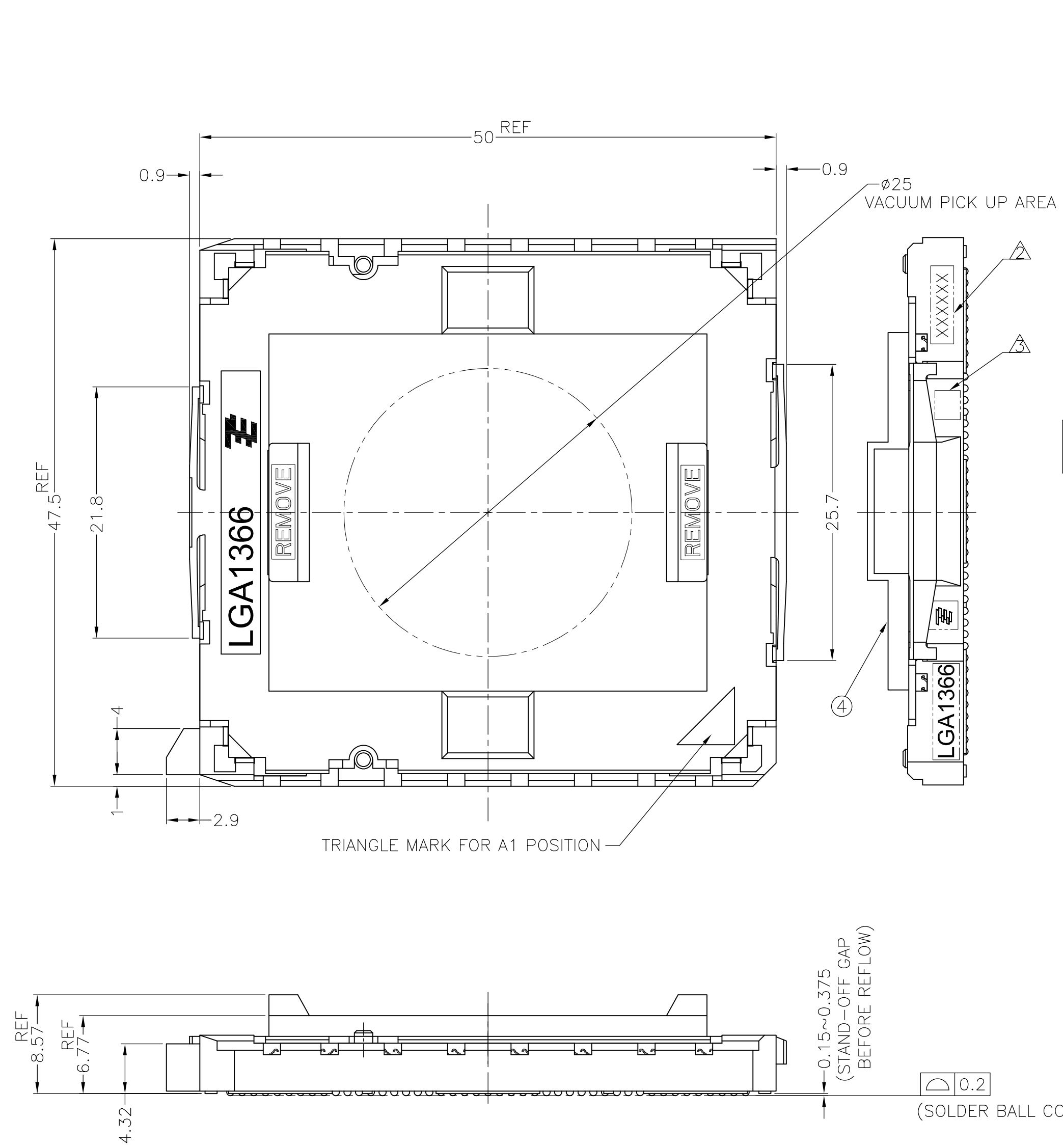
1. MATERIAL
- ① HOUSING : HIGH TEMP, THERMO-PLASTIC, UL94V-0, BLACK
  - ② CONTACT : COPPER ALLOY  
FINISH : Au PL. AT CONTACT AREA ON OVERALL OVER Ni UNDER PL. 0.00127 MIN.
  - ③ SOLDER BALL : Sn/Ag/Cu FOR LEAD FREE PRODUCT.
  - ④ CAP : HIGH TEMP. THERMO-PLASTIC, UL94V-0, BLACK
- △ INDICATED DATE CODE ON THE HSG  
 △ INDICATED "Pb" FOR LEADED SOLDER BALL PRODUCT

0.76 um MIN	LEADED	1-1981837-2
0.76 um MIN	LEAD FREE	1981837-2
0.38 um MIN	LEAD FREE	1981837-1
Au AT CONTACT AREA	SOLDER BALL	PART NUMBER

THIS DRAWING IS A CONTROLLED DOCUMENT.		DWN H.TAGUCHI 28AUG2007			
DIMENSIONS: mm		CHK S.HASHIMOTO 28AUG2007			
TOLERANCES UNLESS OTHERWISE SPECIFIED:		APVD S.HASHIMOTO 28AUG2007	NAME		
0 PLC ± 1 PLC ± 2 PLC ±0.5 3 PLC ±3 4 PLC ± ANGLES ± FINISH -		PRODUCT SPEC	SOCKET ASSY LGA1366		
MATERIAL		APPLICATION SPEC	SIZE A2	CAGE CODE 00779	DRAWING NO C=1981837
WEIGHT 13.4 g		CUSTOMER DRAWING	RESTRICTED TO -	SCALE 1:1	SHEET 1 of 4
			REV C3		

THIS DRAWING IS UNPUBLISHED. RELEASED FOR PUBLICATION  
 © COPYRIGHT - By - ALL RIGHTS RESERVED.

LOC		DIST		REVISIONS			
P	LTR	DESCRIPTION	DATE	DWN	APVD		
-	-	SEE SHEET 1	-	-	-		

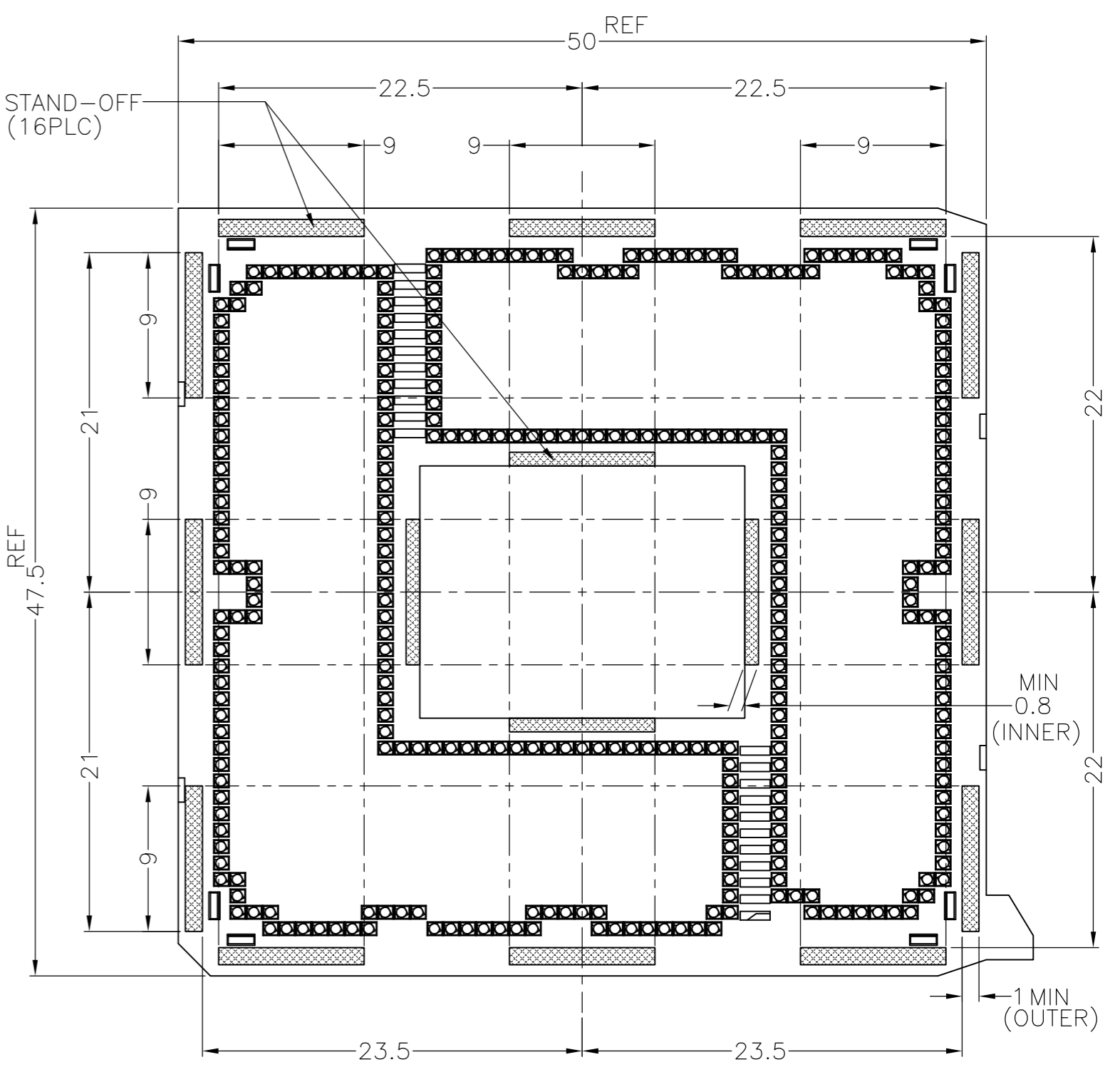
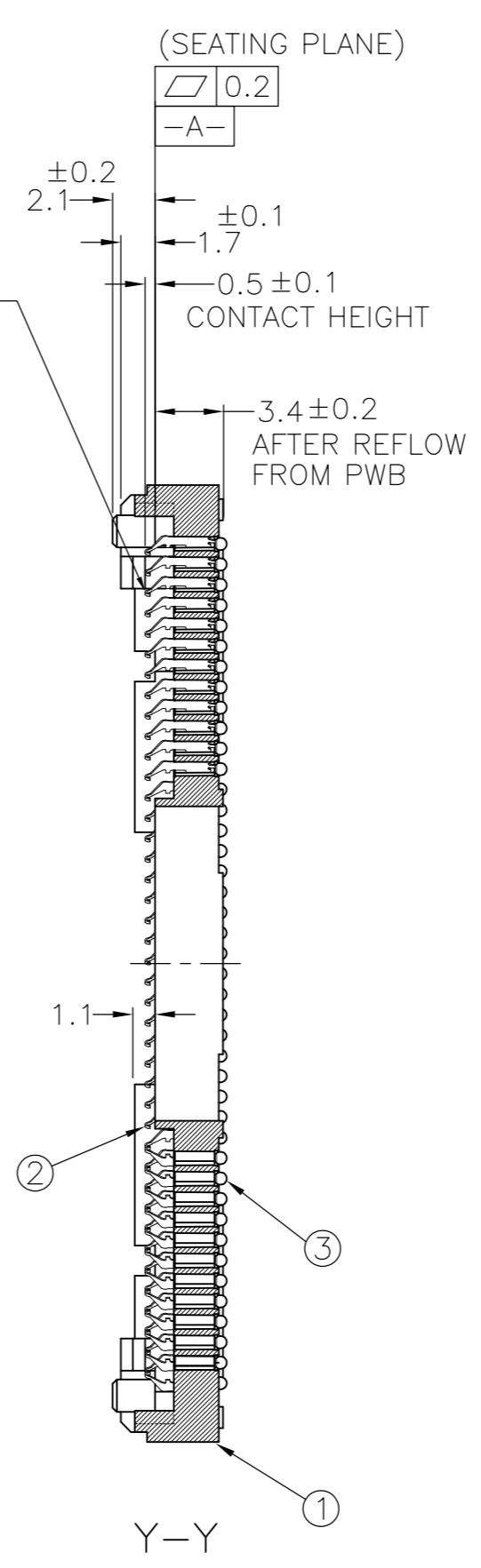
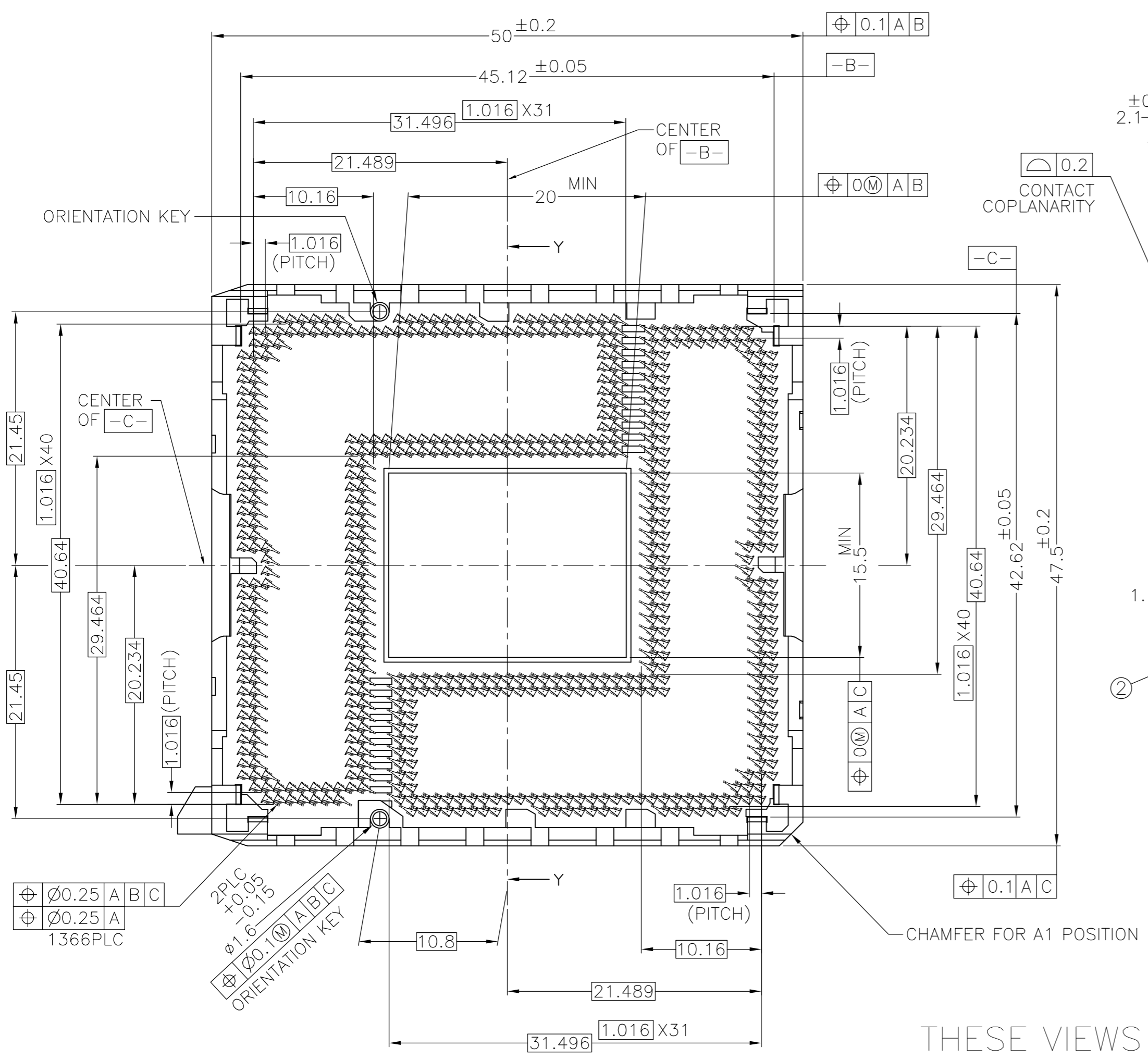


1-1981837-2, 1981837-1&-2 : AS SHOWN

THIS DRAWING IS A CONTROLLED DOCUMENT.		DWN	TE Connectivity	
DIMENSIONS: mm		CHK		
TOLERANCES UNLESS OTHERWISE SPECIFIED:		APVD	NAME	
0 PLC ± 0.3		PRODUCT SPEC	SOCKET ASSY	
1 PLC ± 0.3		APPLICATION SPEC	LGA1366	
2 PLC ± 0.3		WEIGHT	SIZE	CAGE CODE
3 PLC ± 0.3		CUSTOMER DRAWING	A2	00779
4 PLC ± 0.3		SCALE	DRAWING NO	
ANGLES ± 3°		SHEET	C=1981837	
FINISH		RESTRICTED TO	-	
		SCALE	NTS	
		SHEET	2 of 4	
		REV	C3	

THIS DRAWING IS UNPUBLISHED. RELEASED FOR PUBLICATION  
 © COPYRIGHT - By - ALL RIGHTS RESERVED.

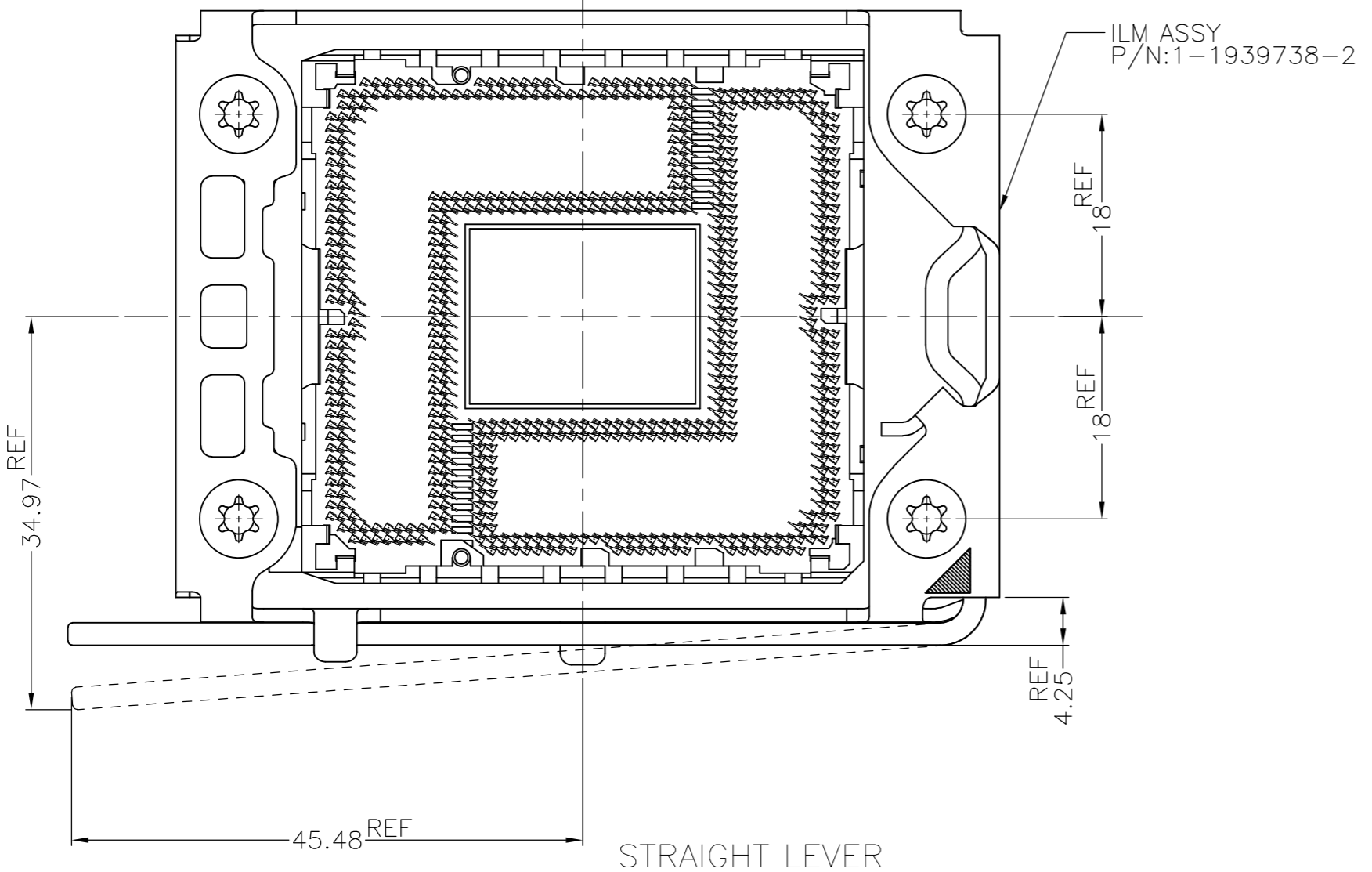
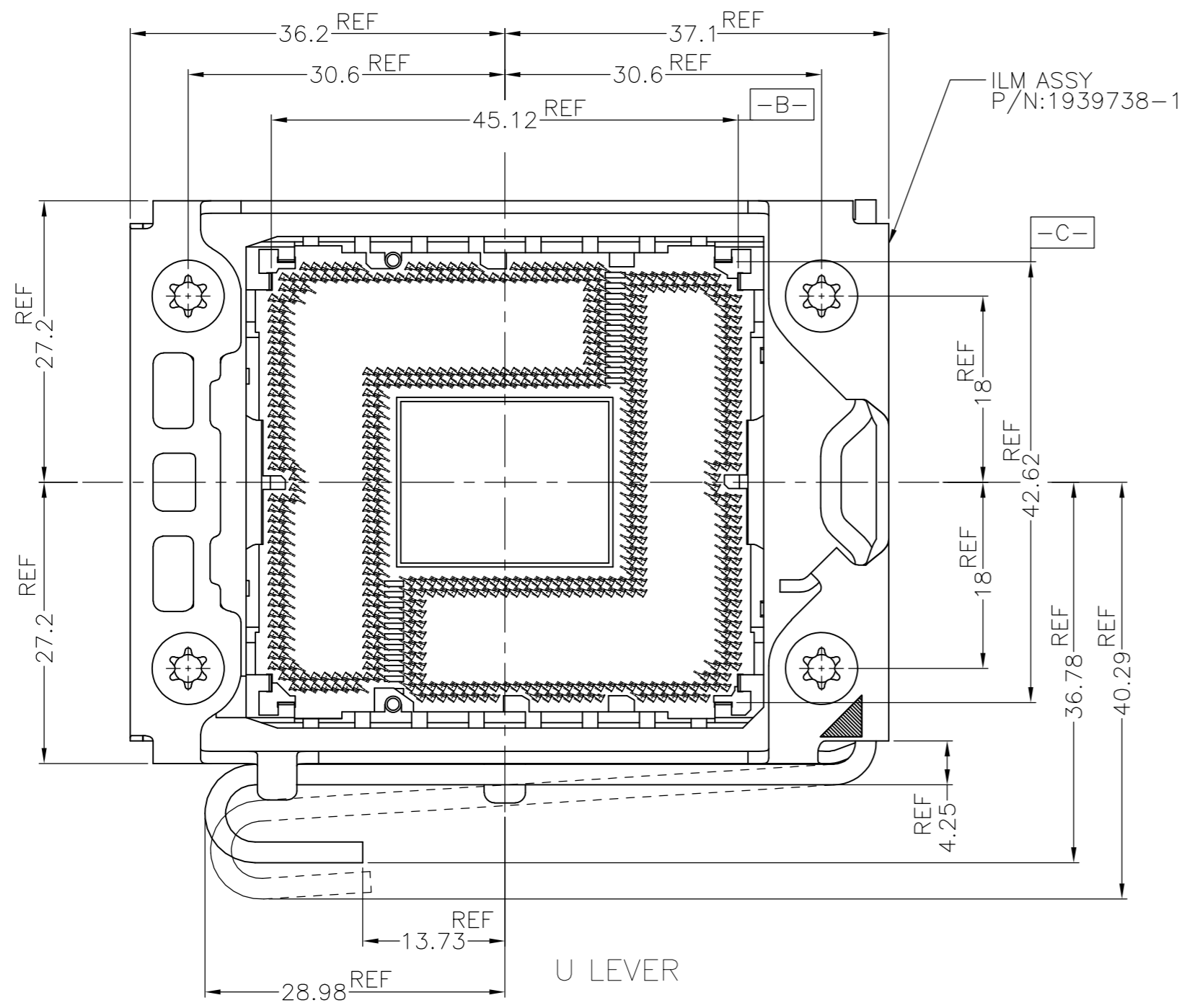
LOC		DIST		REVISIONS			
P	LTR	DESCRIPTION		DATE	DWN	APVD	
-	-	SEE SHEET 1		-	-	-	



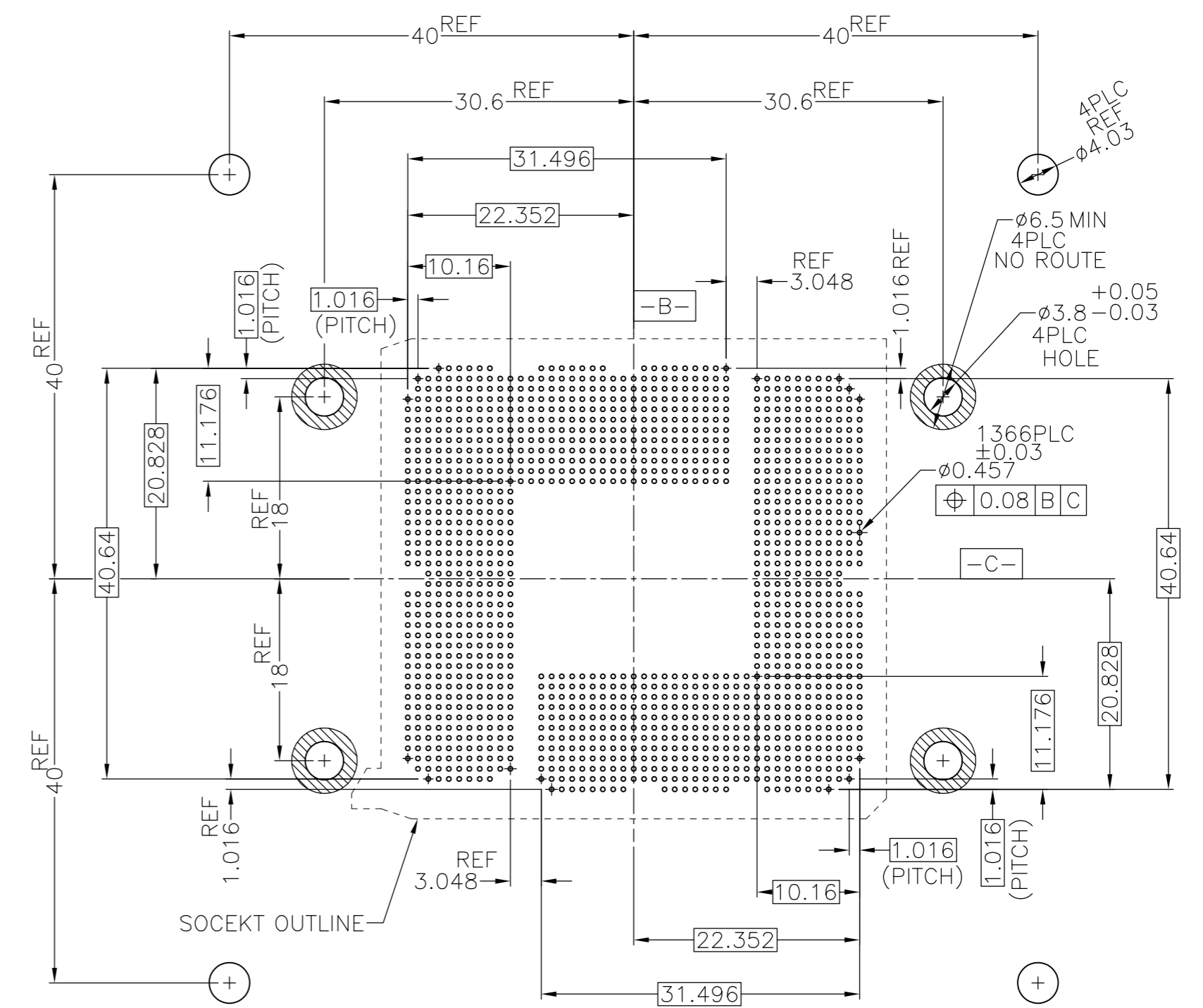
THESE VIEWS DON'T SHOW CAP

THIS DRAWING IS A CONTROLLED DOCUMENT.		DWN	TE Connectivity	
DIMENSIONS:	TOLERANCES UNLESS OTHERWISE SPECIFIED:	CHK	NAME	
mm	0 PLC ± 0.3 1 PLC ± 0.3 2 PLC ± 0.3 3 PLC ± 0.3 4 PLC ± 0.3 ANGLES ± 3°	APVD	SOCKET ASSY LGA1366	
MATERIAL	FINISH	PRODUCT SPEC	SIZE	CAGE CODE
		APPLICATION SPEC	A2	00779
		WEIGHT	DRAWING NO	RESTRICTED TO
			C=1981837	-
		CUSTOMER DRAWING	SCALE	SHEET
			NTS	3 OF 4
				REV
				C3

LOC		DIST		REVISIONS			
P	LTR	DESCRIPTION	DATE	DWN	APVD		
-	-	SEE SHEET 1	-	-	-		



ILM ASSEMBLY OCCUPATION AREA (REFERENCE)  
 CAP AND LOAD PLATE ARE NOT SHOWN ON THIS VIEW



REFERENCE PATTERN LAYOUT

THIS DRAWING IS A CONTROLLED DOCUMENT.		DWN	TE Connectivity		
DIMENSIONS: mm		CHK	NAME		
TOLERANCES UNLESS OTHERWISE SPECIFIED:		APVD	PRODUCT SPEC		
0 PLC ± 0.3 1 PLC ± 0.3 2 PLC ± 0.3 3 PLC ± 0.3 4 PLC ± 0.3 ANGLES ± 3° FINISH		PRODUCT SPEC	APPLICATION SPEC		
MATERIAL		APVD	RESTRICTED TO		
FINISH		APVD	RESTRICTED TO		
WEIGHT		APVD	RESTRICTED TO		
CUSTOMER DRAWING		APVD	RESTRICTED TO		
SCALE NTS		APVD	RESTRICTED TO		
SHEET 4 of 4		APVD	RESTRICTED TO		
REV C3		APVD	RESTRICTED TO		

# Mouser Electronics

Authorized Distributor

Click to View Pricing, Inventory, Delivery & Lifecycle Information:

[TE Connectivity:](#)

[1981837-2](#)