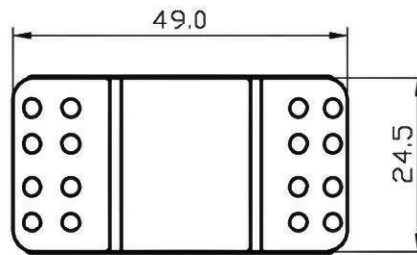


Panel Cutout



SPECIFICATIONS:

Rating: 25A 12V DC

Function: **ON - ON** DPDT

Pos 1 Pos 2

Contact Resistance: 20mΩ max. (initial)

Insulation Resistance: 100mΩ min. (at 500V DC)

Dielectric Strength: 1,500V AC 50/60 Hz for 1 minute

Temp. T55

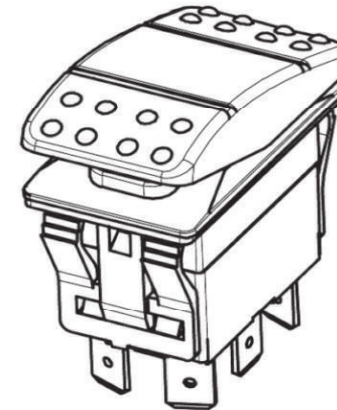
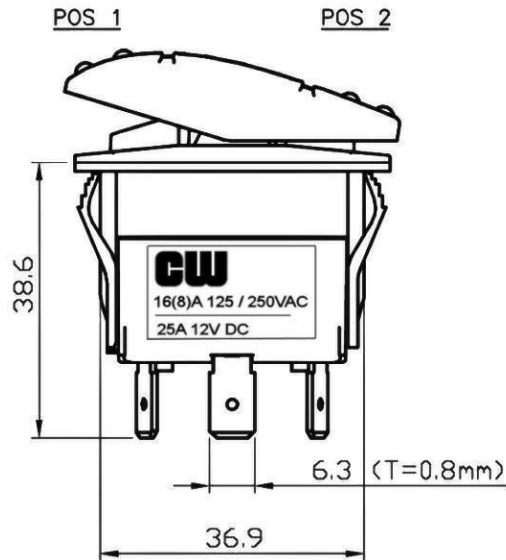
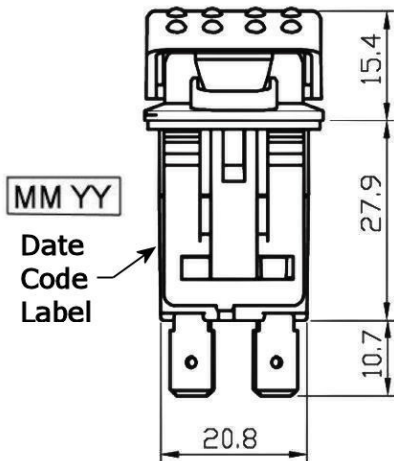
Service Life: Mechanically: 100,000 operations min.

Electrically: 30,000 operations min.

Water Proof: IP68

Base Color- Gray

Actuator Color- Black



RoHS Compliant

CW INDUSTRIES
Southampton, Pa. 18966
Tel 215.355.7080/www.cwind.com

Date Drawn: 3-19-12

Rev. 0

Unit: mm

Checked By: *G. Gold*

Title:
ROCKER SWITCH

CW P/N:
GRB224A2NABA1

Mouser Electronics

Authorized Distributor

Click to View Pricing, Inventory, Delivery & Lifecycle Information:

[CW Industries:](#)

[GRB224A2NABA1](#)