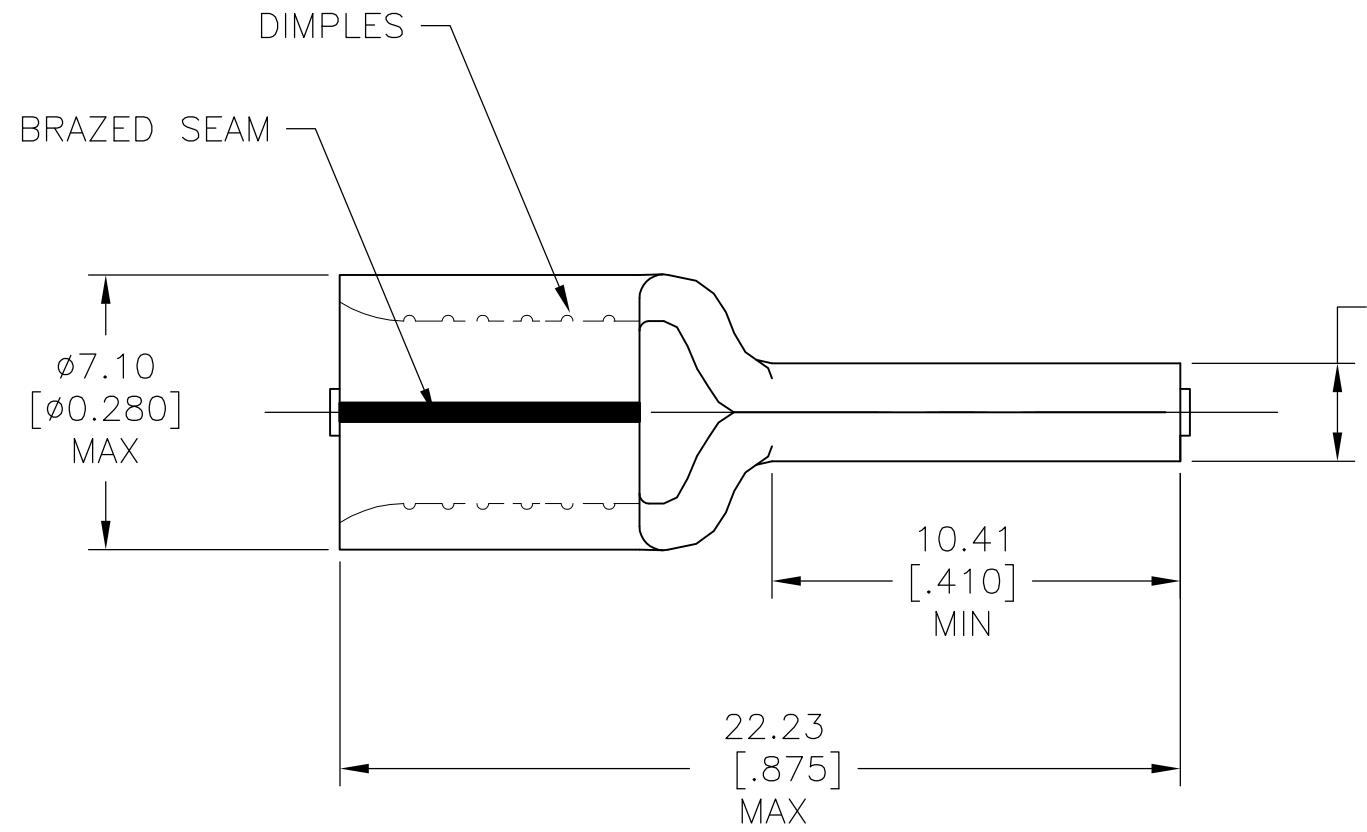


THIS DRAWING IS UNPUBLISHED. RELEASED FOR PUBLICATION  
 © COPYRIGHT - By - ALL RIGHTS RESERVED.

LOC	DIST	REVISIONS			
P	LTR	DESCRIPTION	DATE	DWN	APVD
G	01	C3	REVISED PER ECO-14-003208	12MAR2014	NK DR

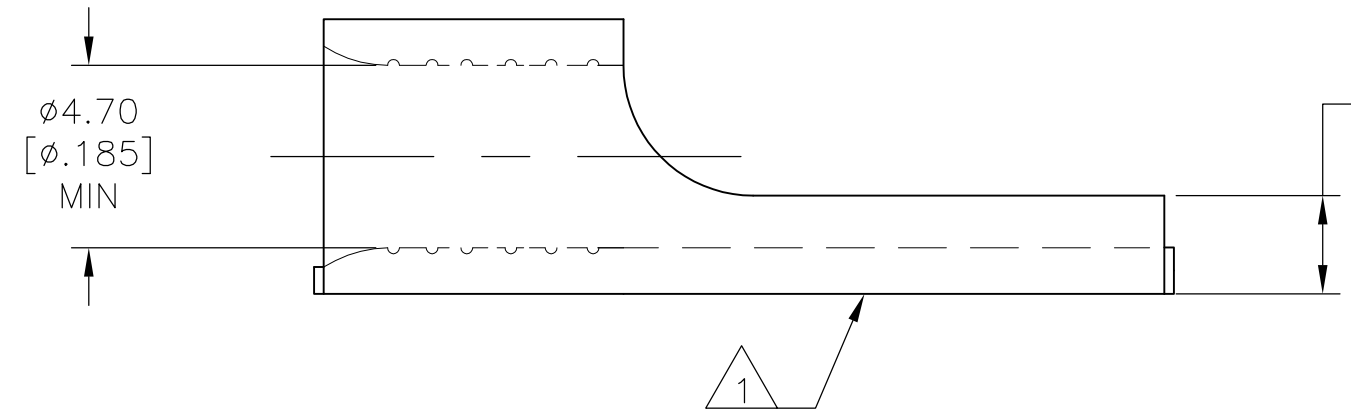


- △1 STAMP AMP 8 APPROX AS SHOWN
- △2 COPPER PER ASTM B-152
- △3 TIN PLATE 0.00254 [.000100] MIN THK PER ASTM B-545

**AMP**  
WIRE RANGE

---

8 AWG  
STRANDED



500	△3	LOOSE PIECE	180599
QTY.	FINISH	PACKAGE TYPE.	PART NO.

**AMP INCORPORATED**  
CUSTOMER SERVICE SYSTEMS

FOR ADDITIONAL PRODUCT INFORMATION OR COPIES OF DRAWINGS AND TECHNICAL DOCUMENTS	PRODUCT INFORMATION CENTER 1-800-522-6752
FOR APPLICATION TOOLING INFORMATION	TOOLING ASSISTANCE CENTER 1-800-722-1111
FOR ORDER ENTRY	1-800-526-5142

MAX RECOMMENDED OPERATING TEMPERATURE:  
170°C [338°F]

VOLTAGE RATING:  
N/A

CIRCULAR MIL AREA:  
6.64-10.50mm<sup>2</sup> [13,100-20,800] STRANDED

THIS DRAWING IS A CONTROLLED DOCUMENT.

DIMENSIONS: mm [INCHES]	TOLERANCES UNLESS OTHERWISE SPECIFIED:
	0 PLC ± -
	1 PLC ± -
	2 PLC ± -
	3 PLC ± -
	4 PLC ± -
	ANGLES ± 5°

MATERIAL: △2  
FINISH: SEE TABLE

DWN	jr_ruth	05APR07
CHK	T MICHELUTTI	05APR07
APVD	T MICHELUTTI	05APR07
PRODUCT SPEC	-	
APPLICATION SPEC	-	
WEIGHT	-	

**STE** TE Connectivity

NAME: WIRE PIN SOLISTRAND

SIZE	CAGE CODE	DRAWING NO	RESTRICTED TO
A3	00779	C-180599	-

CUSTOMER DRAWING SCALE: 5:1 SHEET: 1 OF 1 REV: C3