

Notes:

1. Material and Finish:

- Coupler Ring: Polyester (Black); UL94 V-0
- Plug Housing: Polyester (Black); UL94 V-0
- Cable Gland: PA (Black), UL94 V-0
- Cable Gland Rubber Ring: NBR, Color: Black
- Cable Fitting: PA (Black), UL94 V-0
- Interfacial Seal: Silicone, Color: White

(f) Duplex LC Connector

- Housing: PEI, UL94 V-0,

(e) (b) Color: **SM Blue/MM Beige/APC SM Green**

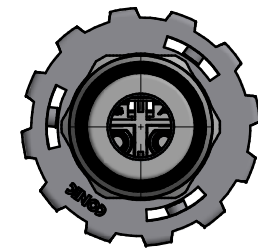
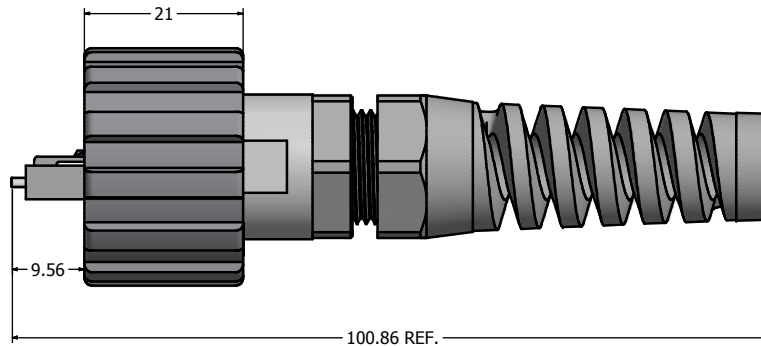
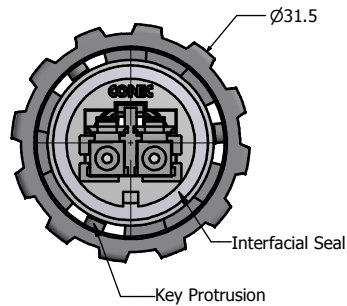
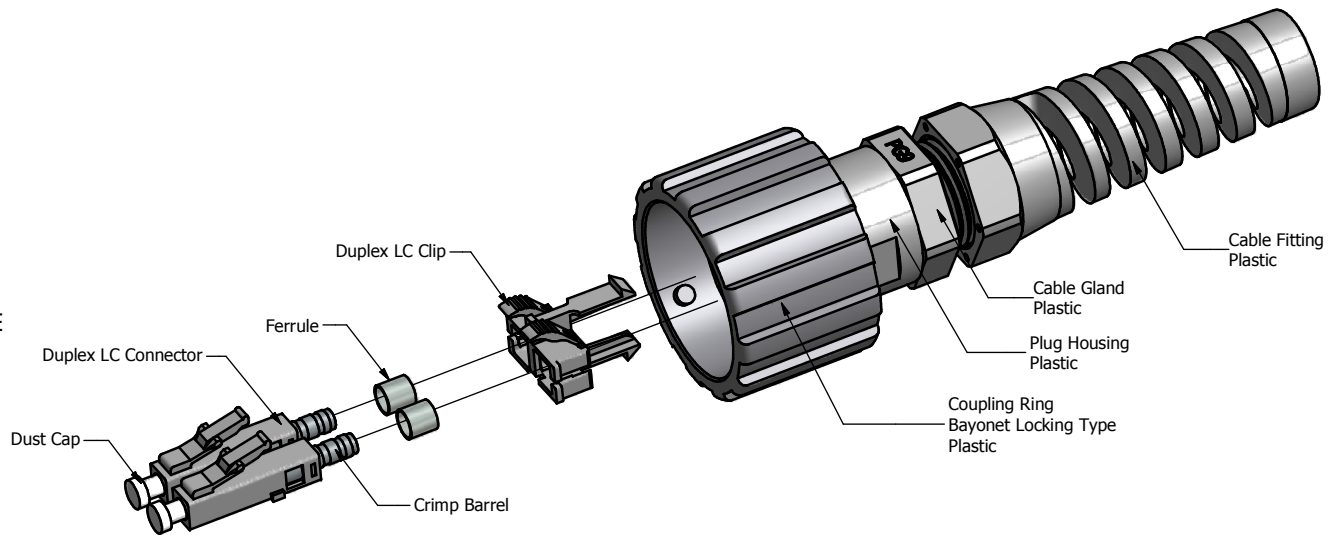
- Inner Sub Assembly: Zirconia, Metal and PTFE
- Crimp Barrel: Brass, Nickel Plated
- Ferrule: Brass, Nickel Plated
- Dust Cap: PC, Color: White

(c) Duplex LC Clip: PC, Color: Black

- Operating Temperature: -40°C to +85°C

2. IP67 rated when covered or fully mated with the appropriate mating connector

(d) 3. Accept 4.5mm to 8.0mm outside diameter fiber optic cable



| Description | Part Number |
|------------------------------|-------------|
| Single Mode (SM) | 17-300030 |
| Multi Mode (MM) | 17-300040 |
| (e) APC Single Mode (APC SM) | 17-300110 |

Directive 2002/95/EC RoHS Compliant

| | | | | | | | | | |
|--|-----------|-------------|---------------|---|-------------|---------|-------------------------|---|------------|
| THIS DRAWING MAY NOT BE COPIED OR REPRODUCED IN ANY MANNER WITHOUT WRITTEN PERMISSION. OWNERSHIP AND COPYRIGHT OF CONEC CORPORATION. DO NOT ALTER CAD DRAWING BY HAND | Customer: | | | Tolerance Unless otherwise specified | | | Scale: 1.5:1 | Dim. in mm | |
| | Name | Title | Approval Date | 0 PLC ±0.58 | 1 PLC ±0.38 | | 2 PLC ±0.25 | 3 PLC ±0.10 | ANGLES ±.7 |
| | g | 1 x g | Sep/25/2013 | Vincent Ke | 2008 | Date | Name | Material: See Notes | |
| | f | 1 x f | Jul/12/2011 | Vincent Ke | Draw. | Jun. 06 | Vincent Ke | Title: IP67 Industrial Duplex LC Plug Kit | |
| | e | 2 x e | Nov/22/2010 | Vincent ke | Appd. | Jun. 06 | J. Chaudry | Plastic Version | |
| d | 1 x d | Nov/03/2010 | Vincent Ke | Norm | | | Drawing No.: 17K1A003 | | |
| c | 1 x c | Jul/19/2010 | Vincent Ke | D-old | | | Part No.: SEE P/N ABOVE | | |
| b | 1 x b | May/28/2009 | Vincent Ke | | | | DIN A3 | | |
| a | original | | | | | | Sheet 1/1 | | |
| Rev. | Changes | Date | Name | | | | | | |
| | | | | | | | | | |

Mouser Electronics

Authorized Distributor

Click to View Pricing, Inventory, Delivery & Lifecycle Information:

[CONEC:](#)

[17-300030](#) [17-300110](#) [17-300040](#)