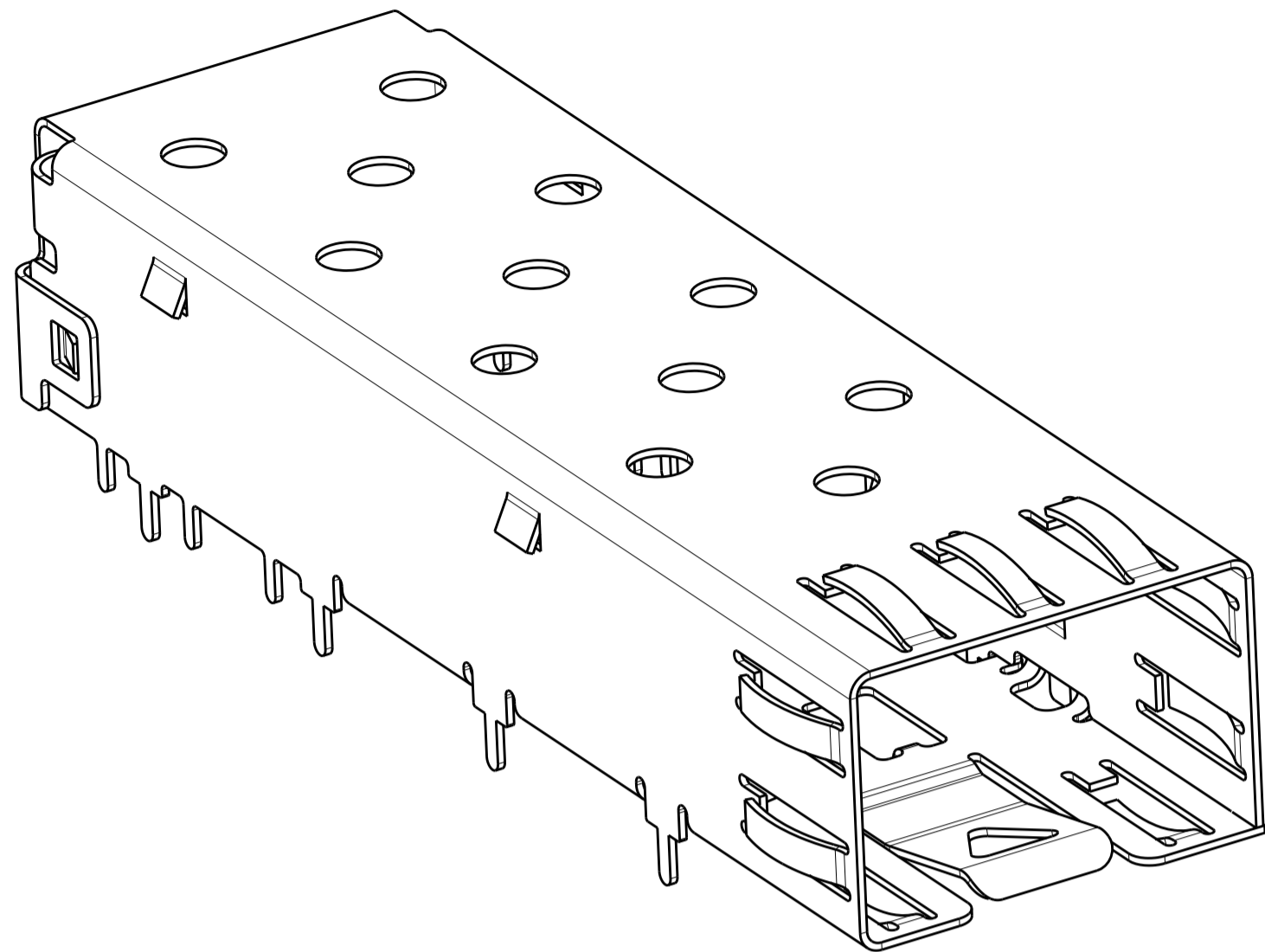
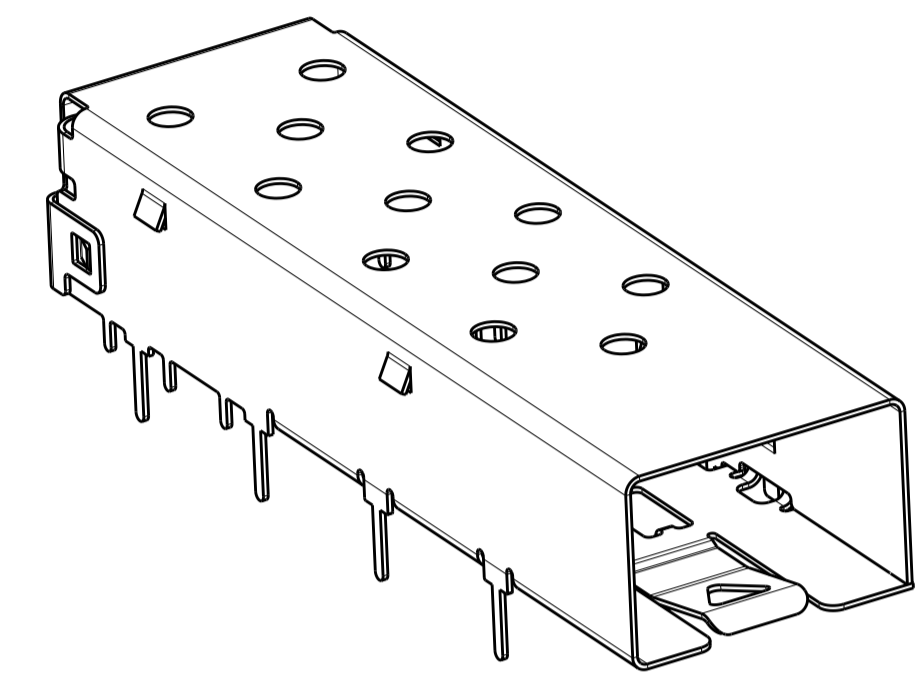


LOC	DIST	REVISIONS			
P	LTN	DESCRIPTION	DATE	DWN	APVD
B		REVISED PER ECR-18-013640	28AUG2018	IT	SH

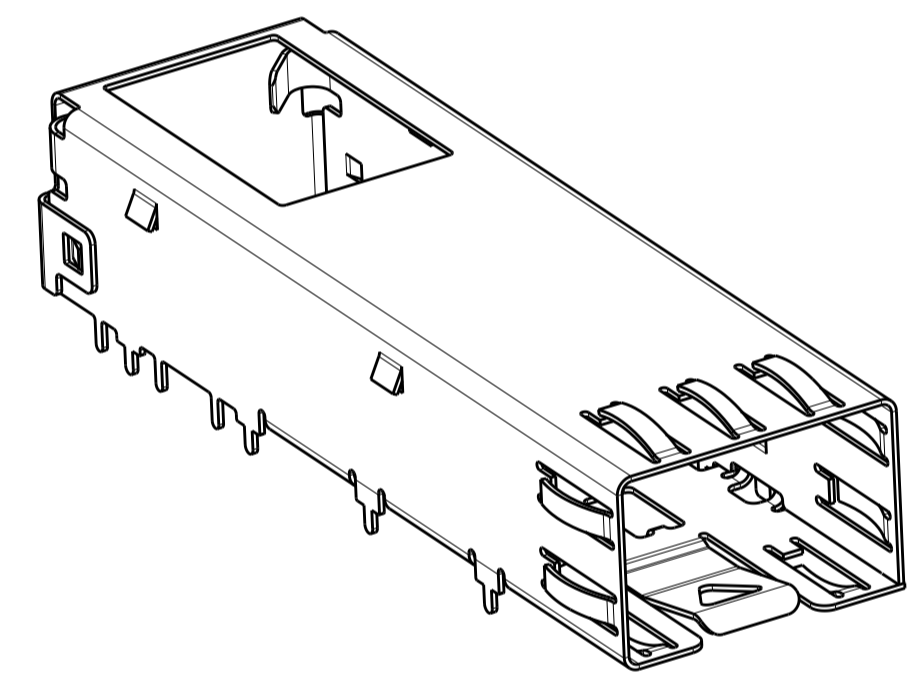
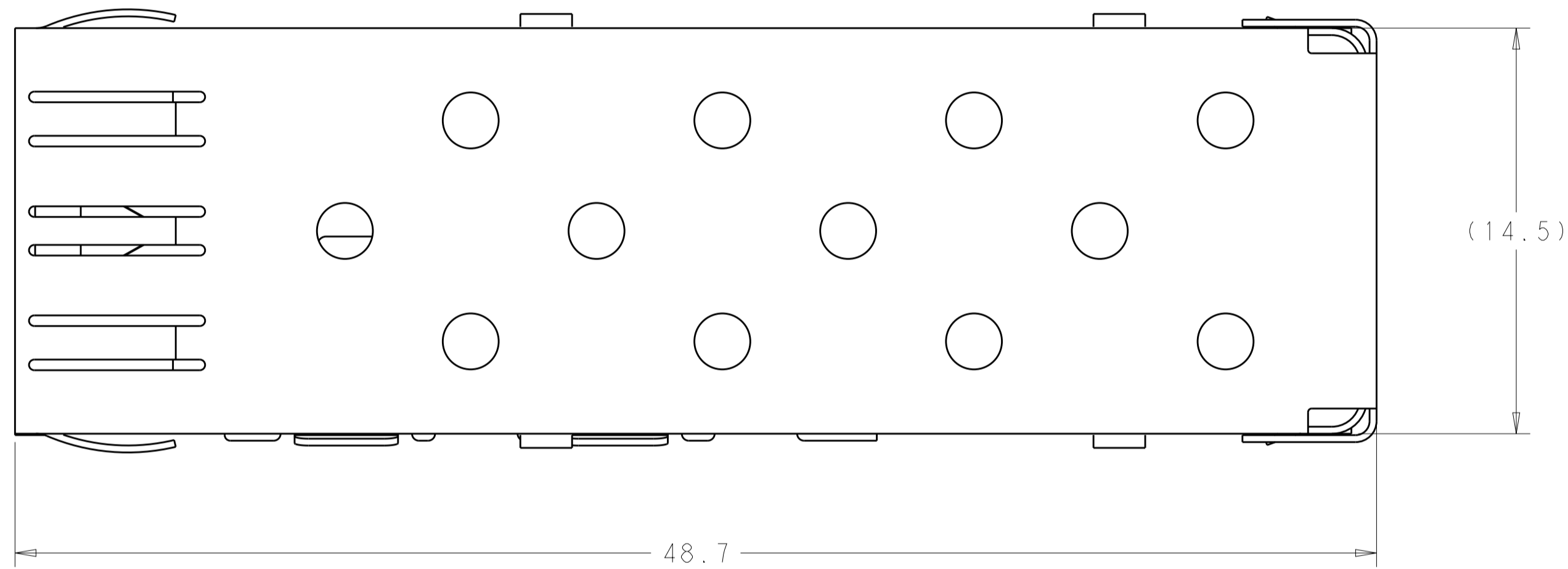


2227303-1, -2, -3, -7  
 1-2227303-2

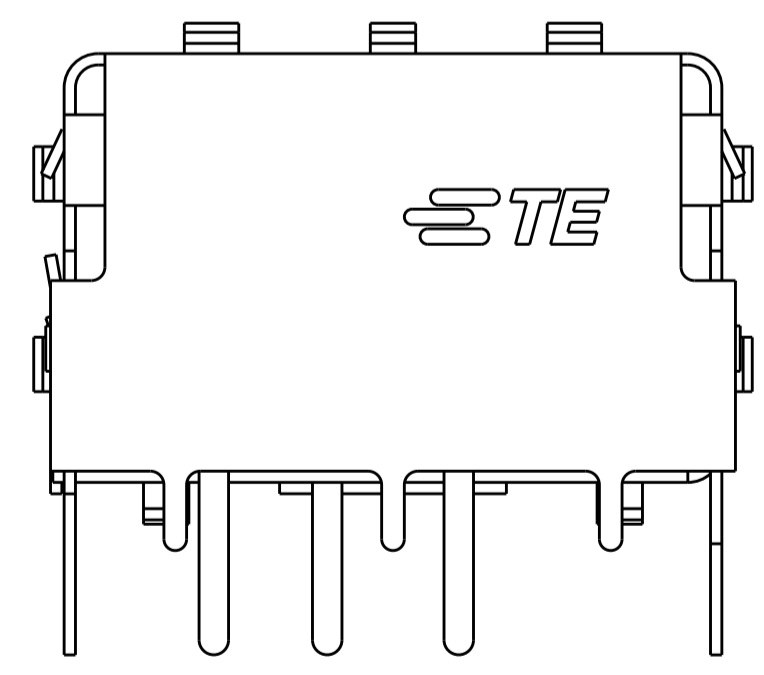
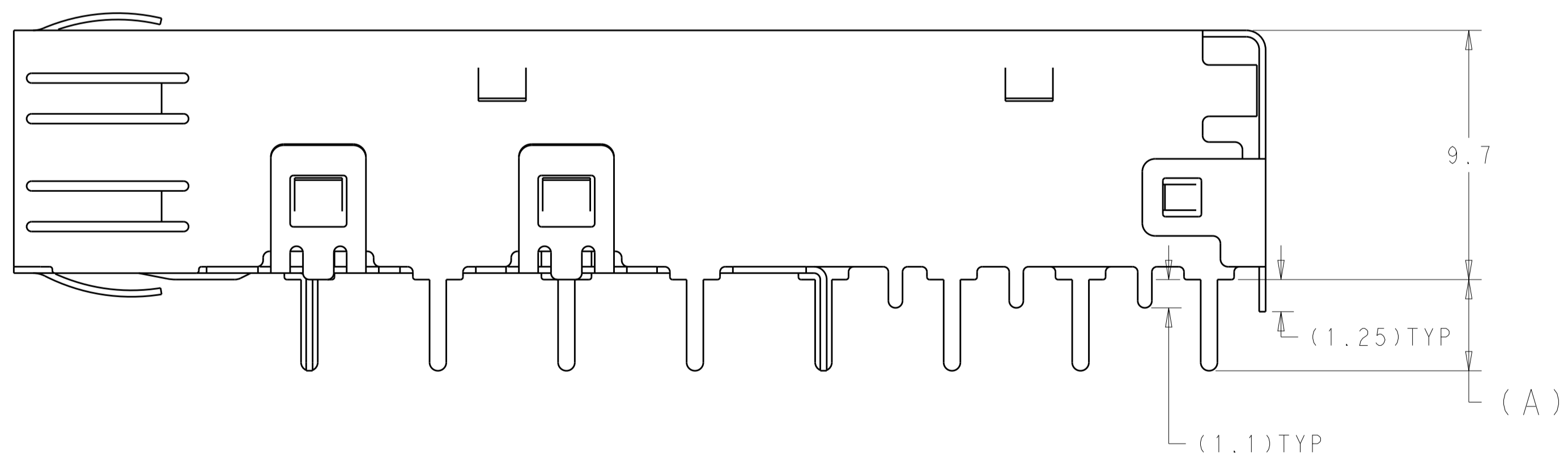
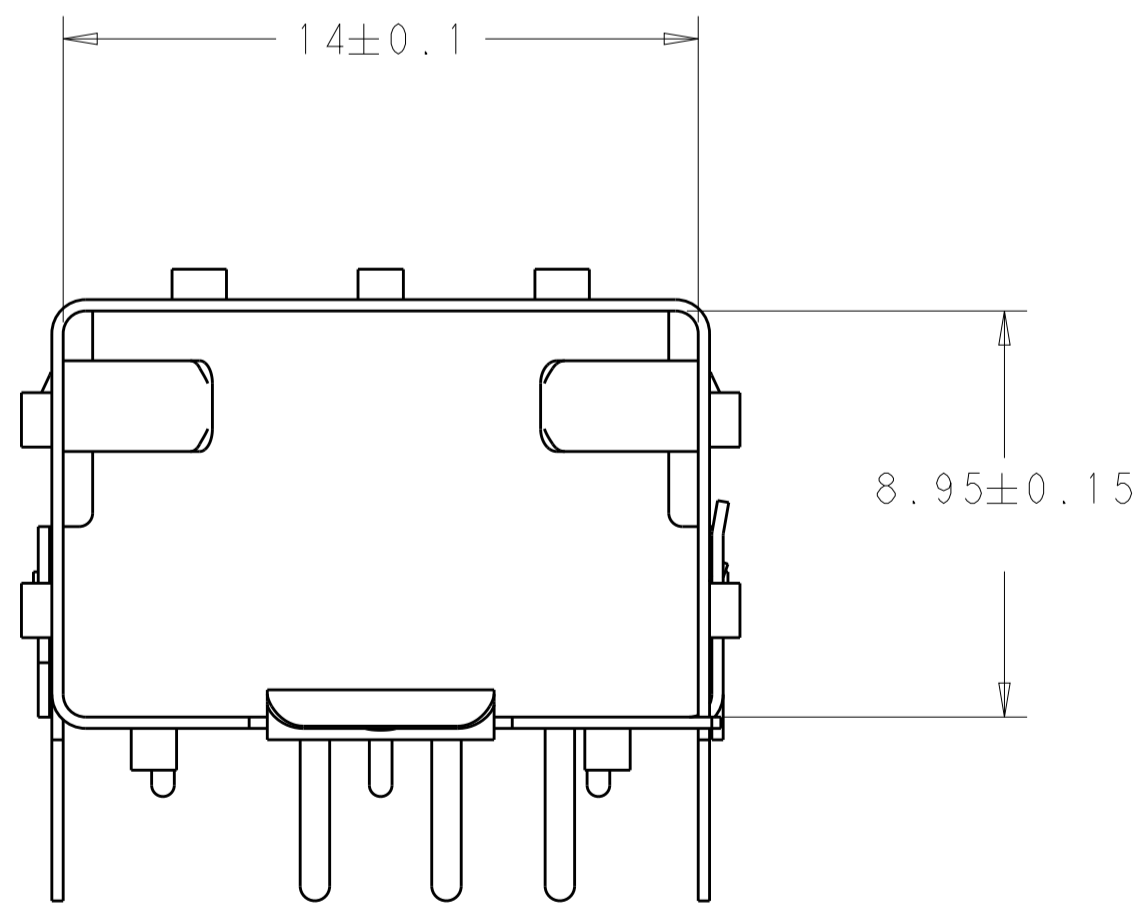
- △ MATERIAL: 0.25mm THICK STAINLESS STEEL.
- △ FINISH: 0.00125mm Min. NICKEL OVER ALL , 0.002mm Min. TIN DIPPED ON SOLDER TABS, NON PLATED EDGES PERMISSIBLE.
- 3. MATES WITH SFP MSA COMPLIANT TRANSCEIVERS.
- △ PADS AND VIAS CHASSIS GROUND.
- △ DATUM AND BASIC DIMENSION ESTABLISHED BY CUSTOMER.
- 6. MINIMUM PC BOARD THICKNESS:  
 SINGLE SIDED = 1.50 mm
- △ REFERENCE APPLICATION SPEC. 114-13120, HOLE A, FOR RECOMMENDED DRILL HOLE DIAMETER AND PLATING THICKNESS.
- △ REFERENCE APPLICATION SPEC. 114-13120, HOLE C, FOR RECOMMENDED DRILL HOLE DIAMETER AND PLATING THICKNESS.
- △ ESD PROTECTION PACKAGE.
- △ PRELIMINARY PART- NOT RELEASED FOR PRODUCTION
- △ WITHOUT EMI SPRING
- △ WITH CUSTOMIZED HEATSINK OPEN



1-2227303-1



2-2227303-2



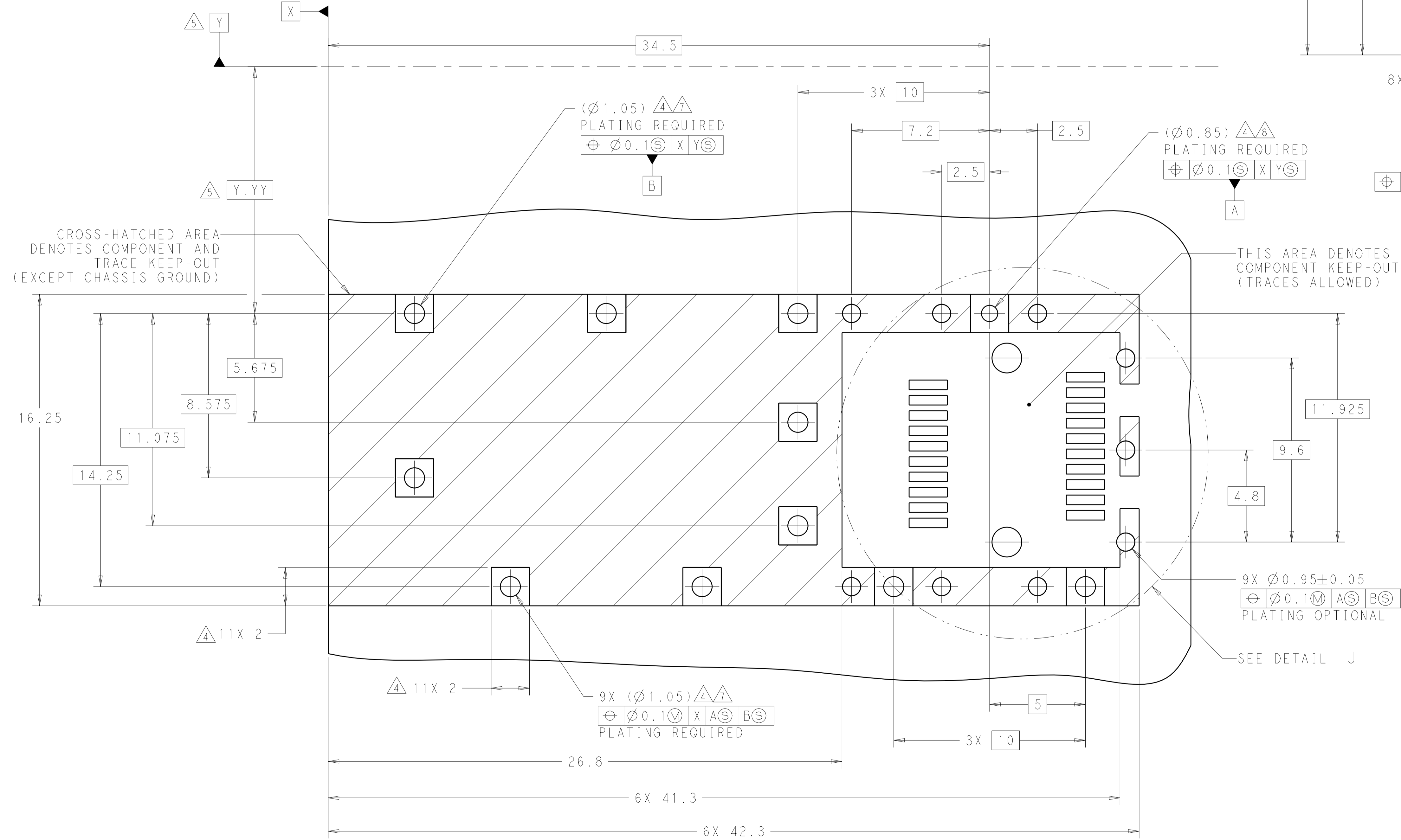
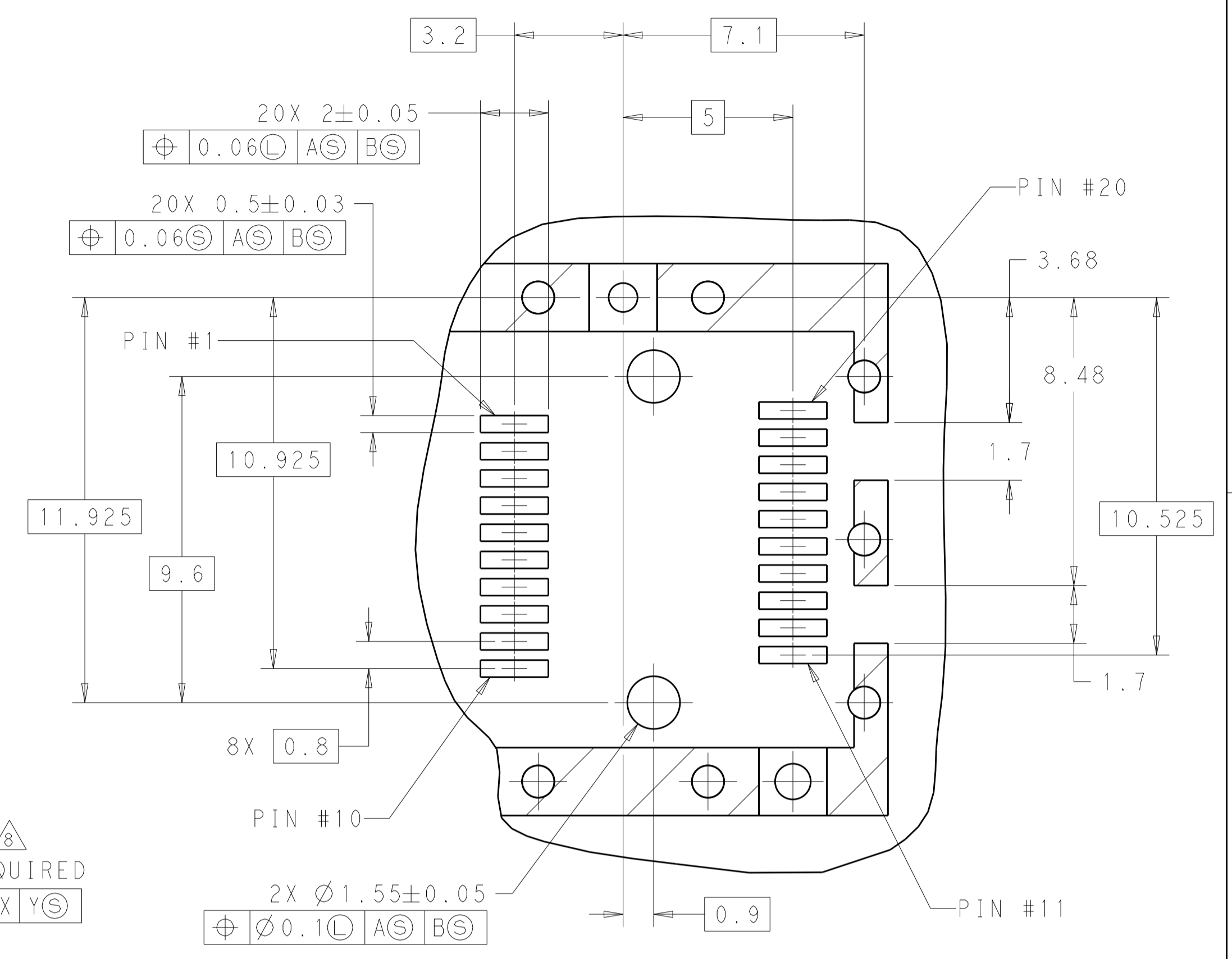
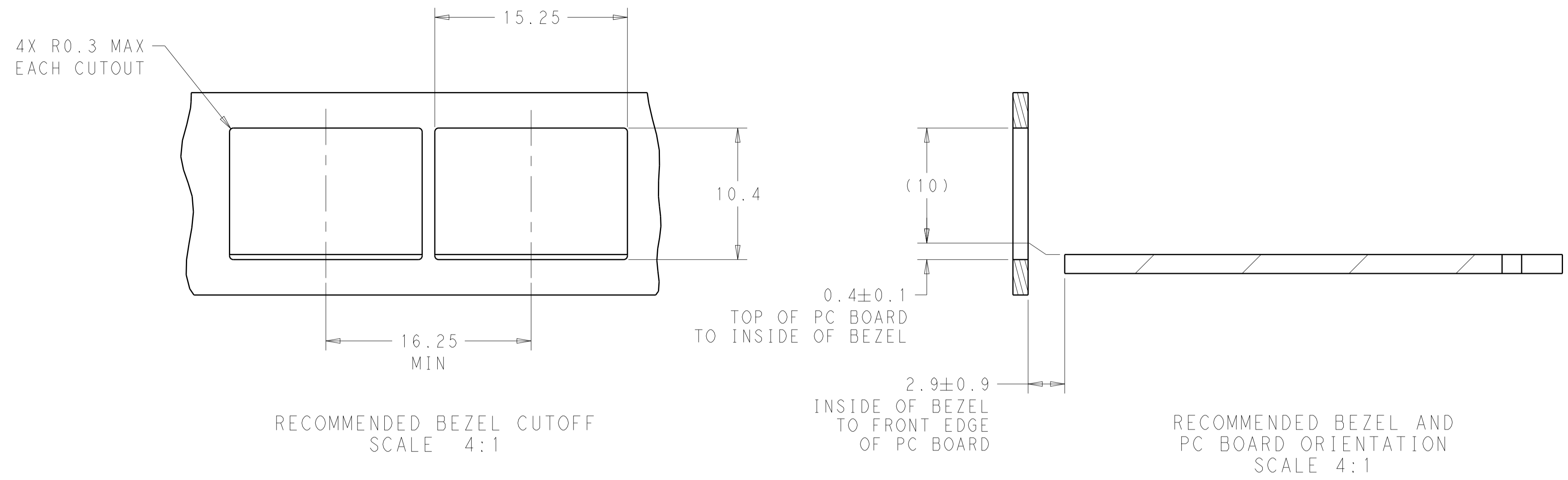
△ TRAY	1.25	2-2227303-2
△ TRAY	3.55	1-2227303-1
△ TRAY	3.55	2227303-7
△ REEL	1.80	1-2227303-2
TRAY	1.80	2227303-3
REEL	1.80	2227303-2
TRAY	3.55	2227303-1
PACKAGING	A	PART NUMBER

THIS DRAWING IS A CONTROLLED DOCUMENT. DIMENSIONING AND TOLERANCING PER ASME Y14.5M-2009.		DWN: C. VALENTINE 19OCT2012	TE Connectivity
TOLERANCES UNLESS OTHERWISE SPECIFIED:		CHK: M. SCHMITT 19OCT2012	
DIMENSIONS:	mm	APVD: M. SCHMITT 19OCT2012	NAME: SFP, 1X1 SINGLE PIECE CAGE, SOLDER PIN
0 PLC	±0.1	PRODUCT SPEC	108-1950
1 PLC	±0.1	APPLICATION SPEC	114-13120
2 PLC	±0.1	SIZE	A100779C=2227303
3 PLC	±0.1	WEIGHT	Customer Drawing
4 PLC	±	SCALE	3:1
ANGLES	°	SHEET	1 OF 3
MATERIAL		RESTRICTED TO	REV B

LOC	DIST	REV	DATE	APPV
GP	00			

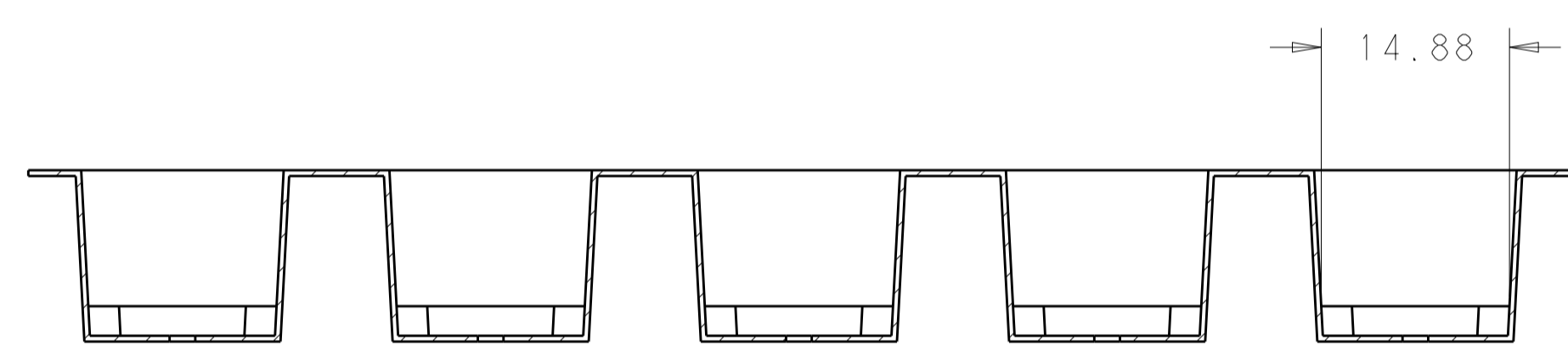
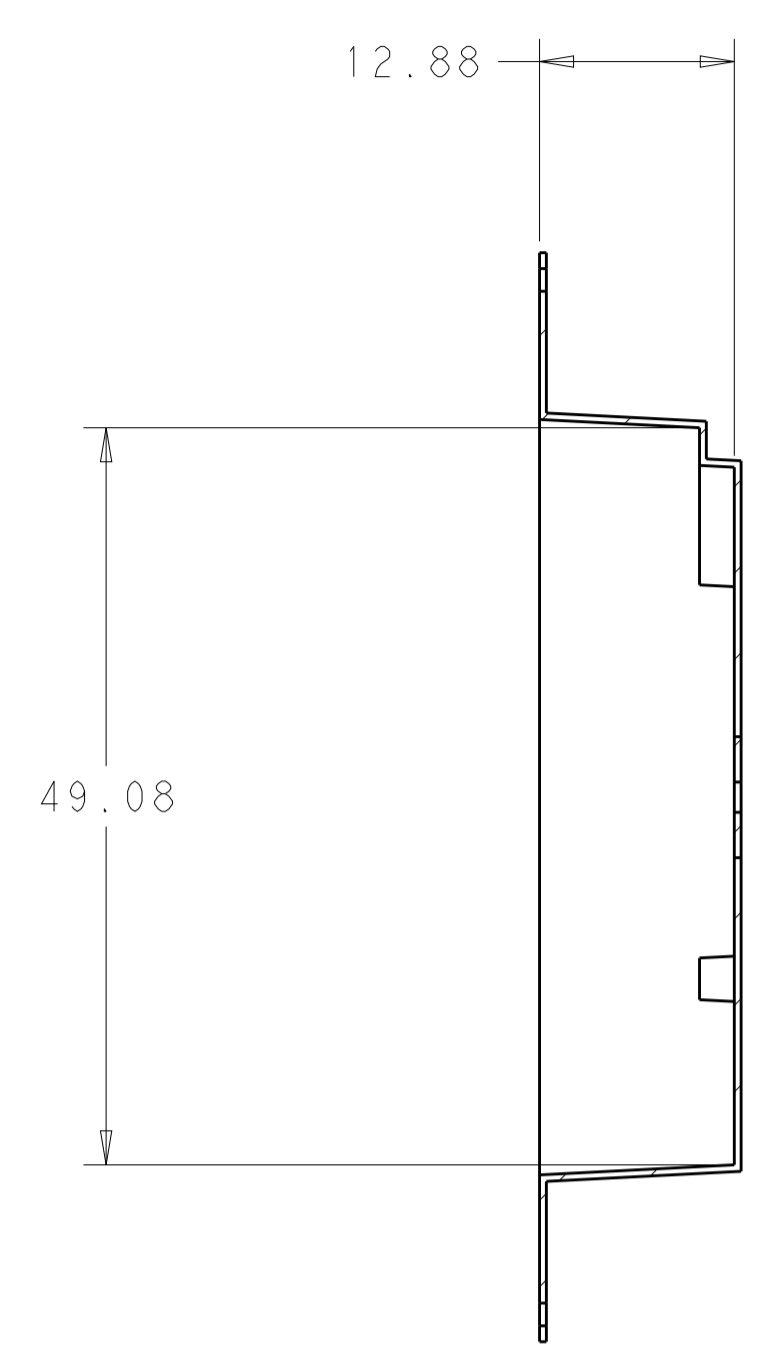
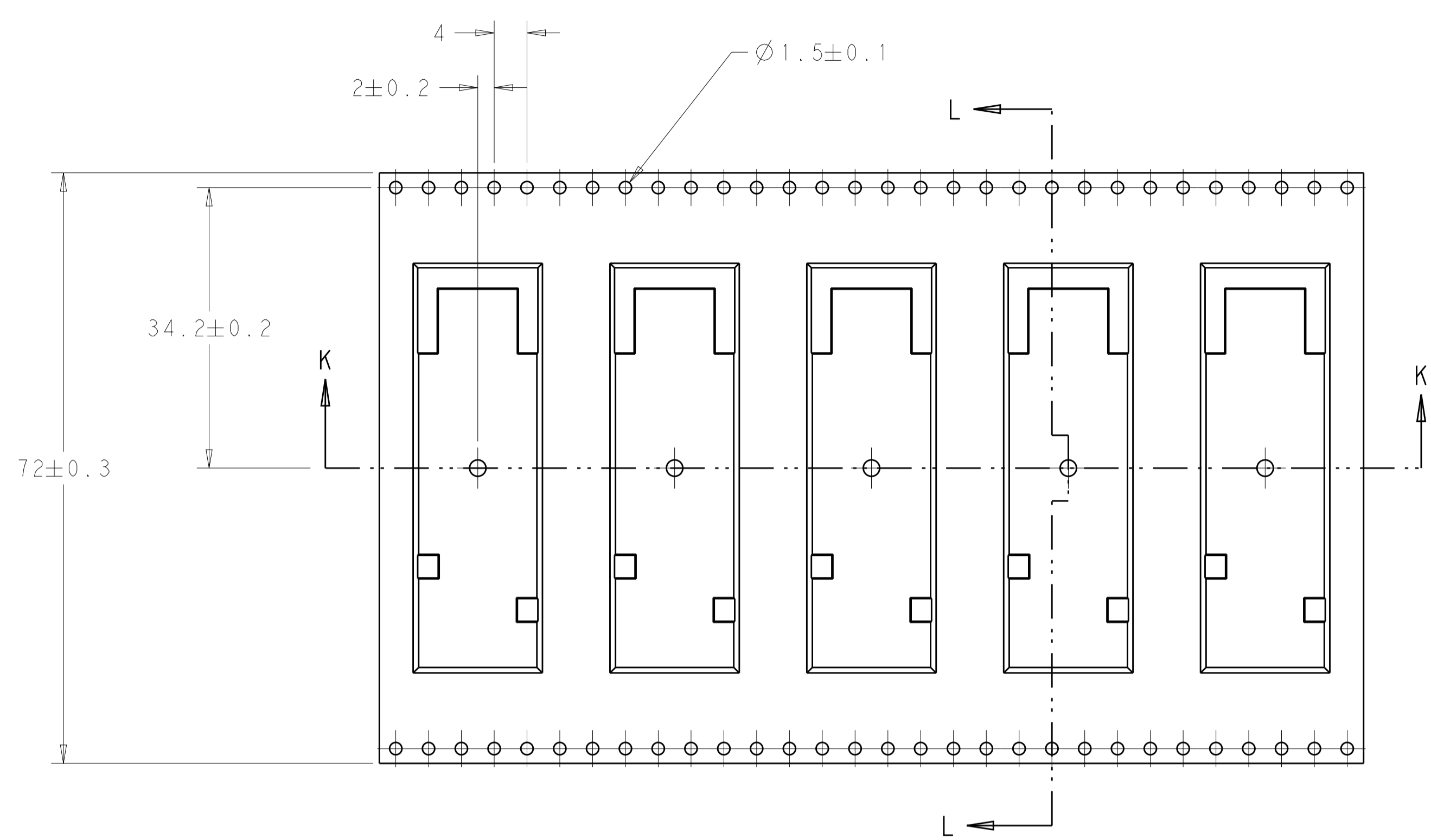
  

REVISIONS				
REV	DATE	APPV	DESCRIPTION	BY
-	-	-	SEE SHEET 1	-



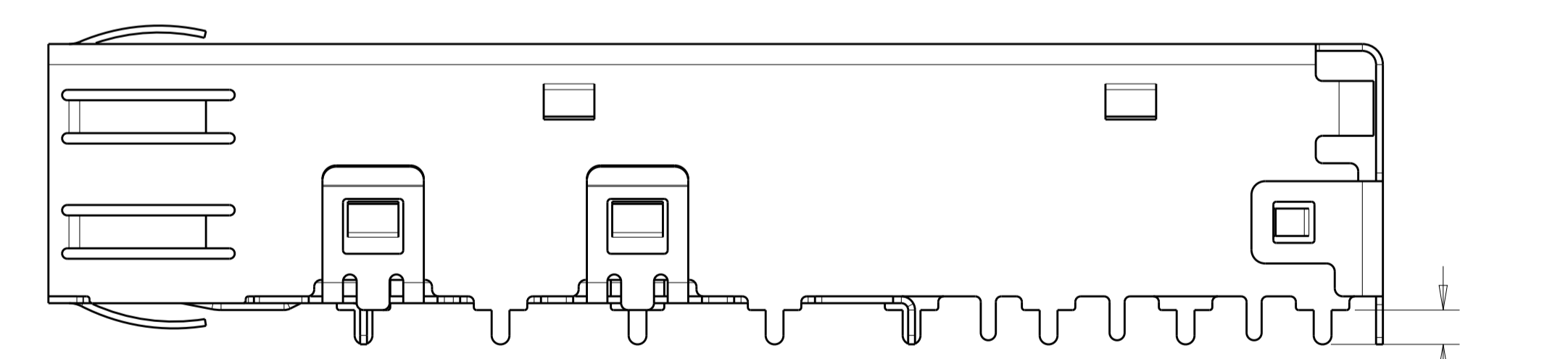
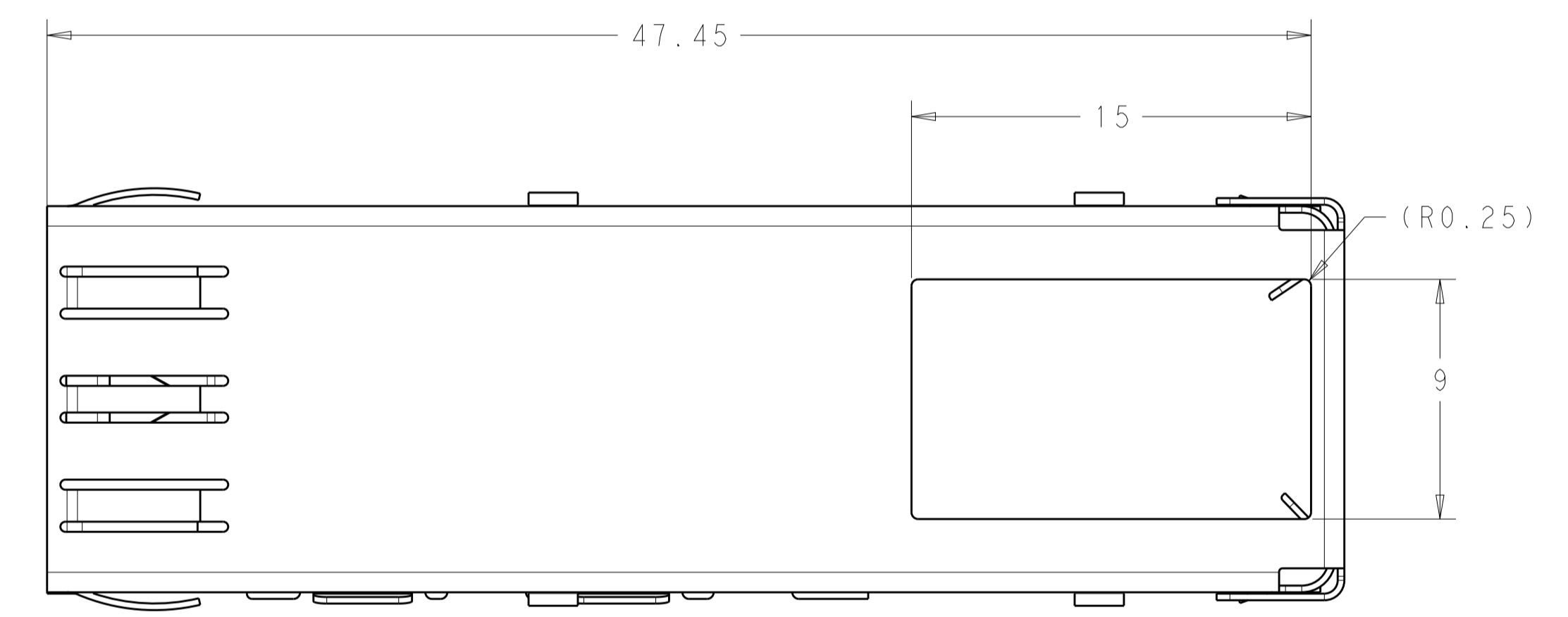
THIS DRAWING IS A CONTROLLED DOCUMENT. DIMENSIONING AND TOLERANCING PER ASME Y14.5M-2009.		DWN: C. VALENTINE 19OCT2012 CHK: M. SCHMITT 19OCT2012 APVD: M. SCHMITT 19OCT2012	TE Connectivity
DIMENSIONS: mm TOLERANCES UNLESS OTHERWISE SPECIFIED: 0 PLC ±0.1 1 PLC ±0.1 2 PLC ±0.1 3 PLC ±0.1 4 PLC ±0.1 ANGLES °		NAME: SFP, 1X1 SINGLE PIECE CAGE, SOLDER PIN PRODUCT SPEC: 108-1950 APPLICATION SPEC: 114-13120 WEIGHT: - Customer Drawing	
MATERIAL: -		SIZE: A100779 CAGE CODE: C=2227303 SCALE: 3:1 SHEET: 2 OF 3 REV: B	RESTRICTED TO: -

LOC	DIST	REVISIONS			
P	LTN	DESCRIPTION	DATE	DWN	APVD
-	-	SEE SHEET 1	-	-	-

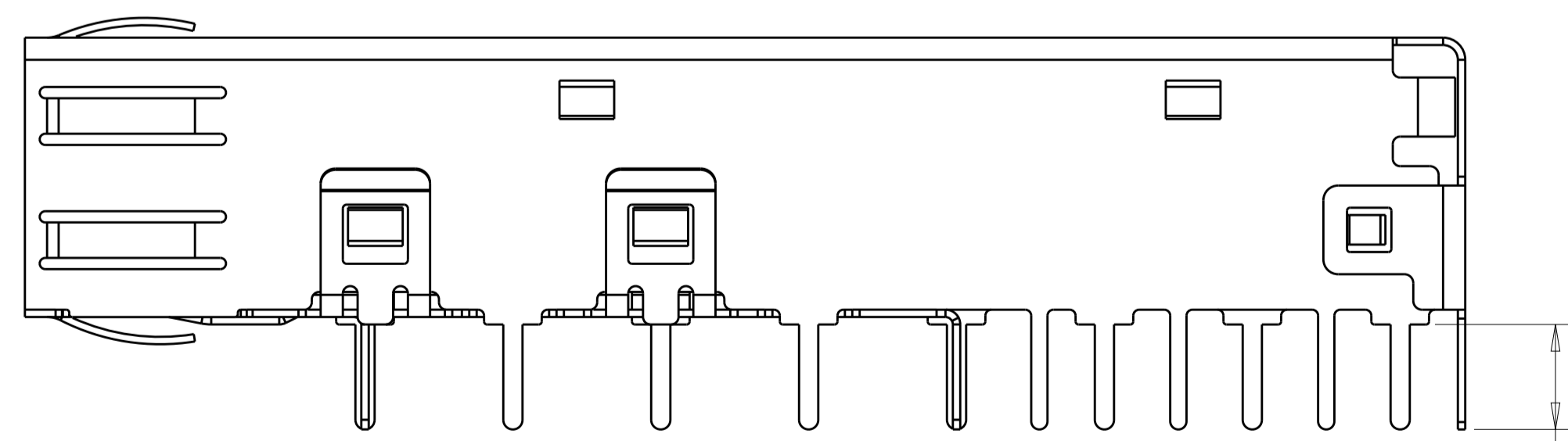
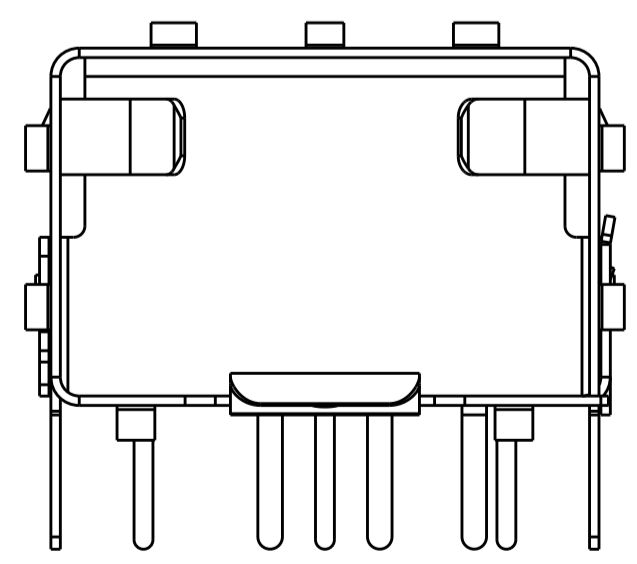


SECTION K-K  
SCALE 2:1

2227303-2 / 1-222303-2 REEL PACKAGING



2-2227303-2 AS SHOWN  
UNMARKED DIMENSIONS SAME AS 2227303-1  
SCALE 5:1



(A)  
APPLIED ALL PINS

2227303-7  
UNMARKED DIMENSIONS SAME AS 2227303-1  
SCALE 5:1

THIS DRAWING IS A CONTROLLED DOCUMENT. DIMENSIONING AND TOLERANCING PER ASME Y14.5M 2009		DWN C. VALENTINE 19OCT2012	TE Connectivity
TOLERANCES UNLESS OTHERWISE SPECIFIED:		CHK M. SCHMITT 19OCT2012	
DIMENSIONS:	mm	APVD M. SCHMITT 19OCT2012	NAME
0 PLC	$\pm 0.1$	PRODUCT SPEC	SFP, 1X1 SINGLE PIECE CAGE, SOLDER PIN
1 PLC	$\pm 0.1$	APPLICATION SPEC	
2 PLC	$\pm 0.1$	108-1950	SIZE
3 PLC	$\pm 0.1$	114-13120	CAGE CODE
4 PLC	$\pm 0.1$	Customer Drawing	DRAWING NO
ANGLES	$\pm$	SCALE	3:1
FINISH		WEIGHT	SHEET 3 OF 3
			REV B