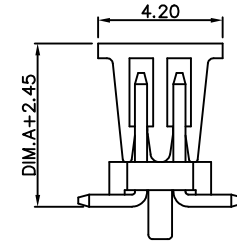
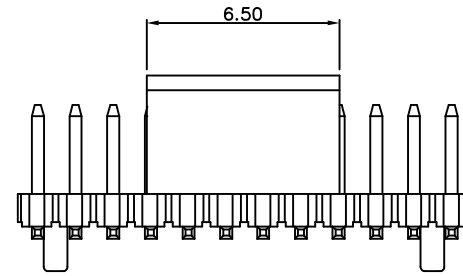
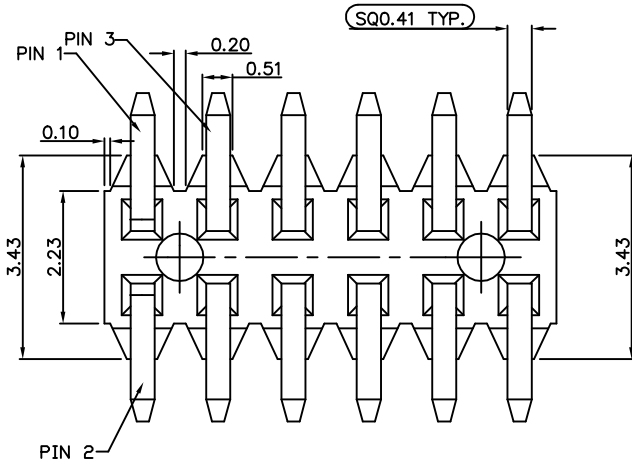
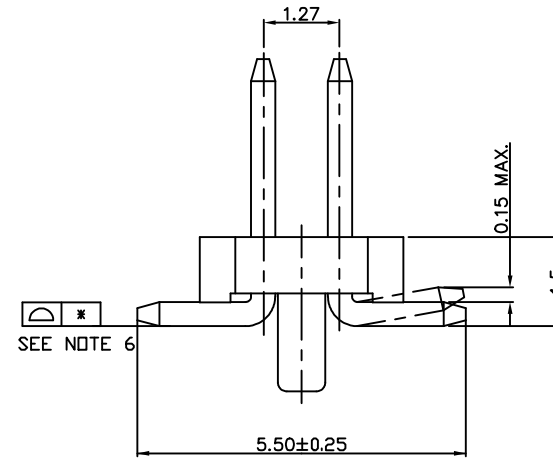
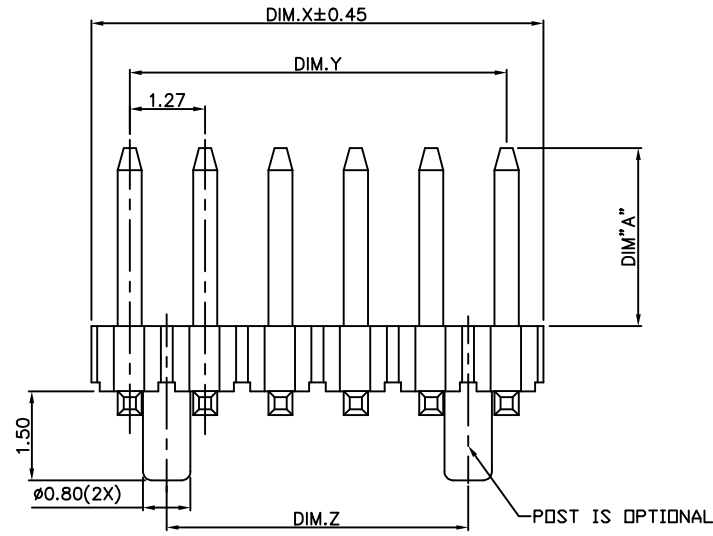


PART NO.
20021121



PRODUCT WITH CAP

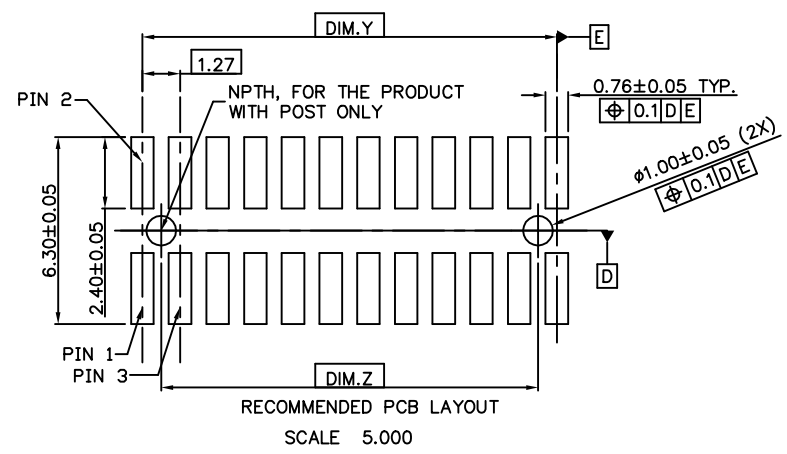
NOTES:

- MATERIAL:
HOUSING: HIGH TEMPERATURE THERMOPLASTIC, UL94-V0 BLACK.
TERMINAL: COPPER ALLOY
- THE HOUSING WILL WITHSTAND EXPOSURE TO 260°C PEAK TEMPERATURE FOR 10 SECONDS IN A CONVECTION INFRA-RED OR VAPOR PHASE REFLOW OVEN.
- THIS PRODUCT MEETS EUROPEAN UNION DIRECTIVES AND OTHER COUNTRY REGULATIONS AS DESCRIBED IN GS-22-008.
- PRODUCT SPEC: GS-12-629
- PACKAGE SPEC: GS-14-1420
- 0.04~38 POS.: 0.1mm
40~100 POS.: 0.14mm

| | | | | | | | | | |
|-------------|---------------|----------|----------|---------------------------------------|--|------------------|--|-------------------------------|--|
| mat'l. code | | surface | | tolerance | | projection | | product family | |
| | | ISO 1302 | | ISO 406 ISO 1101 | | 1101 | | MINITEK127® | |
| ltr | ecn no | dr | date | tolerances unless otherwise specified | | mm | | title | |
| L | ELX-N-23548 | TIM | 03/21/16 | angles | | .0±.30 | | UNSHROUDED HDR VT SMT | |
| M | ELX-N-23949 | TIM | 04/26/16 | linear | | .00±.20 | | | |
| N | ELX-N-28817 | TONY | 12/18/17 | 0°±2' | | .000±.10 | | scale 1:1 | |
| P | ELX-N-32456 | TONY | 01/14/19 | dr | | ZK HU 8/1/12 | | dwg no | |
| R | ELX-N-40994-1 | YY | 05/24/21 | eng | | ZK HU 8/1/12 | | sheet 1 of 2 | |
| S | ELX-N-49660 | SF | 11/02/23 | chr | | BIAN RICK 8/1/12 | | size | |
| | | | | app'd | | BIAN RICK 8/1/12 | | 20021121 | |
| | | | | | | | | A3 | |
| | | | | | | | | type Product Customer Drawing | |
| sheet | revision | s | s | | | | | | |
| index | sheet | 1 | 2 | | | | | | |

| PART NO. | POS. | DIM.X | DIM.Y | DIM.Z |
|-------------------|--------|-------|-------|-------|
| 20021121-XX04XXLF | 2 X 2 | 2.54 | 1.27 | 0 |
| 20021121-XX06XXLF | 2 X 3 | 3.81 | 2.54 | 1.27 |
| 20021121-XX08XXLF | 2 X 4 | 5.08 | 3.81 | 2.54 |
| 20021121-XX10XXLF | 2 X 5 | 6.35 | 5.08 | 3.81 |
| 20021121-XX12XXLF | 2 X 6 | 7.62 | 6.35 | 5.08 |
| 20021121-XX14XXLF | 2 X 7 | 8.89 | 7.62 | 6.35 |
| 20021121-XX16XXLF | 2 X 8 | 10.16 | 8.89 | 7.62 |
| 20021121-XX18XXLF | 2 X 9 | 11.43 | 10.16 | 8.89 |
| 20021121-XX20XXLF | 2 X 10 | 12.70 | 11.43 | 10.16 |
| 20021121-XX22XXLF | 2 X 11 | 13.97 | 12.70 | 11.43 |
| 20021121-XX24XXLF | 2 X 12 | 15.24 | 13.97 | 12.70 |
| 20021121-XX26XXLF | 2 X 13 | 16.51 | 15.24 | 13.97 |
| 20021121-XX28XXLF | 2 X 14 | 17.78 | 16.51 | 15.24 |
| 20021121-XX30XXLF | 2 X 15 | 19.05 | 17.78 | 16.51 |
| 20021121-XX32XXLF | 2 X 16 | 20.32 | 19.05 | 17.78 |
| 20021121-XX34XXLF | 2 X 17 | 21.59 | 20.32 | 19.05 |
| 20021121-XX36XXLF | 2 X 18 | 22.86 | 21.59 | 20.32 |
| 20021121-XX38XXLF | 2 X 19 | 24.13 | 22.86 | 21.59 |
| 20021121-XX40XXLF | 2 X 20 | 25.40 | 24.13 | 22.86 |
| 20021121-XX42XXLF | 2 X 21 | 26.67 | 25.40 | 24.13 |
| 20021121-XX44XXLF | 2 X 22 | 27.94 | 26.67 | 25.40 |
| 20021121-XX46XXLF | 2 X 23 | 29.21 | 27.94 | 26.67 |
| 20021121-XX48XXLF | 2 X 24 | 30.48 | 29.21 | 27.94 |
| 20021121-XX50XXLF | 2 X 25 | 31.75 | 30.48 | 29.21 |
| 20021121-XX52XXLF | 2 X 26 | 33.02 | 31.75 | 30.48 |
| 20021121-XX54XXLF | 2 X 27 | 34.29 | 33.02 | 31.75 |
| 20021121-XX56XXLF | 2 X 28 | 35.56 | 34.29 | 33.02 |
| 20021121-XX58XXLF | 2 X 29 | 36.83 | 35.56 | 34.29 |
| 20021121-XX60XXLF | 2 X 30 | 38.10 | 36.83 | 35.56 |
| 20021121-XX62XXLF | 2 X 31 | 39.37 | 38.10 | 36.83 |
| 20021121-XX64XXLF | 2 X 32 | 40.64 | 39.37 | 38.10 |
| 20021121-XX66XXLF | 2 X 33 | 41.91 | 40.64 | 39.37 |
| 20021121-XX68XXLF | 2 X 34 | 43.18 | 41.91 | 40.64 |
| 20021121-XX70XXLF | 2 X 35 | 44.45 | 43.18 | 41.91 |
| 20021121-XX72XXLF | 2 X 36 | 45.72 | 44.45 | 43.18 |
| 20021121-XX74XXLF | 2 X 37 | 46.99 | 45.72 | 44.45 |
| 20021121-XX76XXLF | 2 X 38 | 48.26 | 46.99 | 45.72 |
| 20021121-XX78XXLF | 2 X 39 | 49.53 | 48.26 | 46.99 |
| 20021121-XX80XXLF | 2 X 40 | 50.80 | 49.53 | 48.26 |
| 20021121-XX82XXLF | 2 X 41 | 52.07 | 50.80 | 49.53 |
| 20021121-XX84XXLF | 2 X 42 | 53.34 | 52.07 | 50.80 |
| 20021121-XX86XXLF | 2 X 43 | 54.61 | 53.34 | 52.07 |
| 20021121-XX88XXLF | 2 X 44 | 55.88 | 54.61 | 53.34 |
| 20021121-XX90XXLF | 2 X 45 | 57.15 | 55.88 | 54.61 |

| PART NO. | POS. | DIM.X | DIM.Y | DIM.Z |
|-------------------|--------|-------|-------|-------|
| 20021121-XX92XXLF | 2 X 46 | 58.42 | 57.15 | 55.88 |
| 20021121-XX94XXLF | 2 X 47 | 59.69 | 58.42 | 57.15 |
| 20021121-XX96XXLF | 2 X 48 | 60.96 | 59.69 | 58.42 |
| 20021121-XX98XXLF | 2 X 49 | 62.23 | 60.96 | 59.69 |
| 20021121-XXA0XXLF | 2 X 50 | 63.50 | 62.23 | 60.96 |



20021121-X X X XX X X LF

- LEAD FREE
- PLATING ON CONTACT AREA
 - 1: GOLD FLASH AT CONTACT, 1.27um MIN. MATTE TIN AT TAIL
 - 2: GOLD FLASH AT CONTACT, GOLD FLASH AT TAIL
 - 4: 0.25um Au MIN. AT CONTACT, 1.27um MIN.MATTE TIN AT TAIL
 - 5: 0.25um Au MIN. AT CONTACT, GOLD FLASH AT TAIL
 - 6: 0.38um GXT MIN. AT CONTACT, 1.27um MIN.MATTE TIN AT TAIL
 - 7: 0.38um GXT MIN. AT CONTACT, GOLD FLASH AT TAIL
 - 8: 0.76um GXT MIN. AT CONTACT, 1.27um MIN.MATTE TIN AT TAIL
 - 9: 0.76um GXT MIN. AT CONTACT, GOLD FLASH AT TAIL
- PACKING STYLE
 - T: TUBE
 - D: TUBE + CAP
 - C: TAPE & REEL + CAP
- PIN NO. SEE TABLE
- MATING LENGTH(DIM"A")
 - 0: 3.05MM
 - 1: 5.55MM
- CODE
 - 0: STANDARD
 - V: DEDICATED CUSTOMER
- POST OPTION
 - 0: WITHOUT POST
 - 1: WITH POST

| | | | | | | | | | |
|-------------|----------------|--|------|---|-----------|---|--|-------------------------------|--|
| mat'l. code | | surface <input checked="" type="checkbox"/> ISO 1302 | | tolerance <input checked="" type="checkbox"/> ISO 406 | | projection <input checked="" type="checkbox"/> ISO 1101 | | product family MINITEK127® | |
| ltr | ecn no | dr | date | tolerances unless otherwise specified | | title | | UNSHROUDED HDR VT SMT | |
| s | | | | angles | linear | mm | | dwg no | |
| | | | | 0±2' | .00±.20 | scale 1:1 | | sheet 2 of 2 | |
| | | | | | .000±.10 | Amphenol FCI | | size A3 | |
| | | | | dr | ZK HU | 8/1/12 | | type Product Customer Drawing | |
| | | | | eng | ZK HU | 8/1/12 | | 20021121 | |
| | | | | chr | BIAN RICK | 8/1/12 | | | |
| | | | | appd | BIAN RICK | 8/1/12 | | | |
| sheet index | revision sheet | | | | | | | | |

Amphenol FCI

© 2016 AFCI