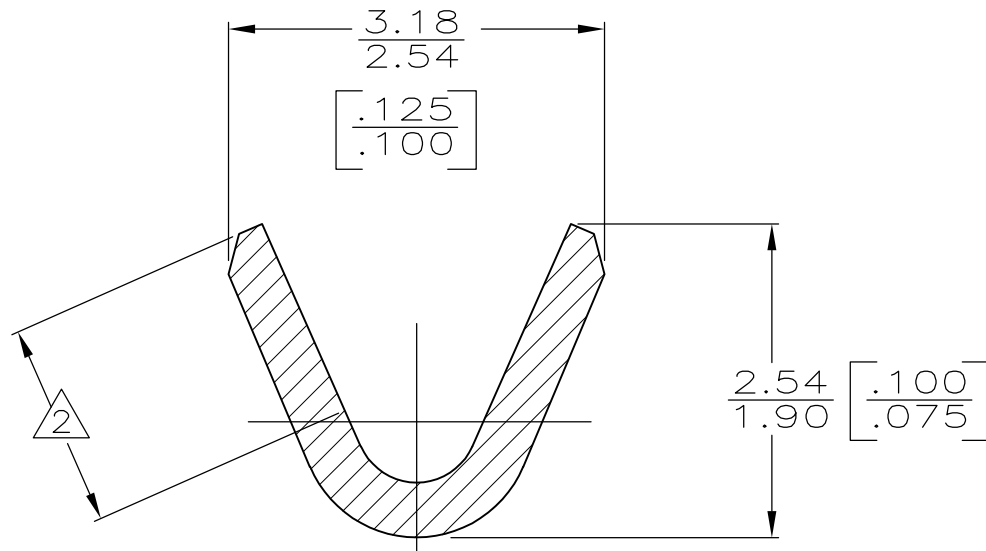
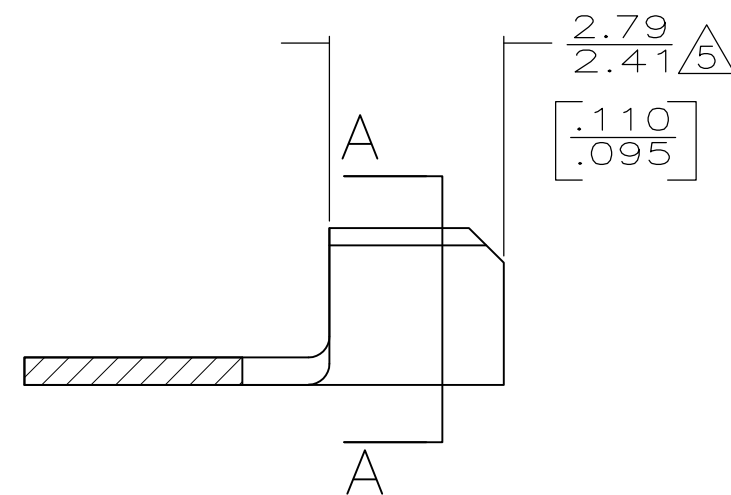
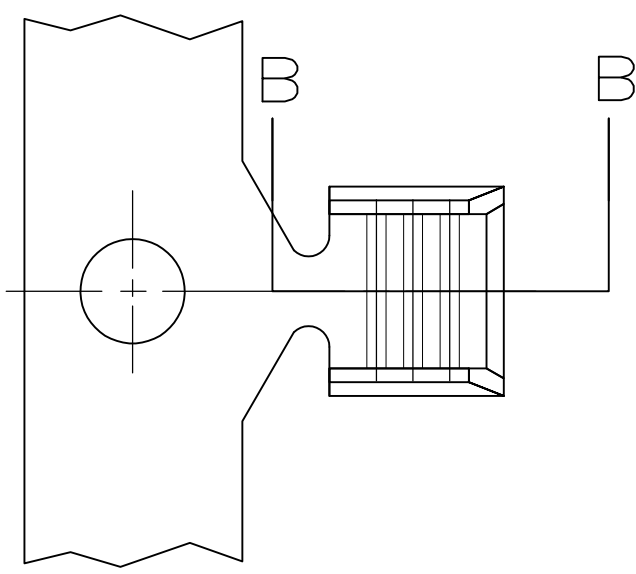
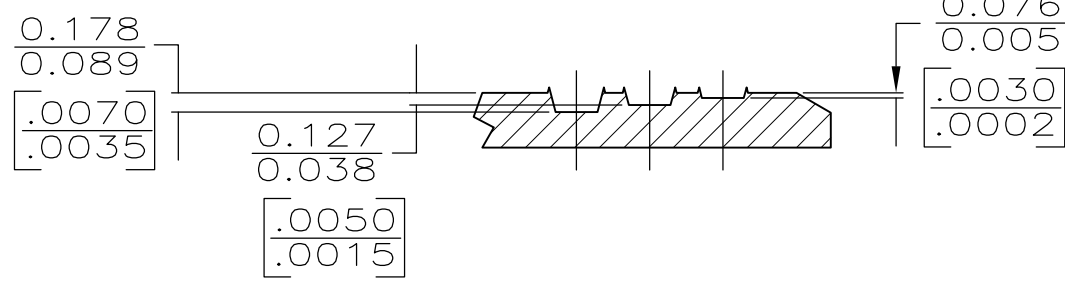


THIS DRAWING IS UNPUBLISHED. RELEASED FOR PUBLICATION
 © COPYRIGHT - By - ALL RIGHTS RESERVED.

| LOC | DIST | REVISIONS | | | | | |
|-----|------|-----------|-----|---------------------------|-----------|-----|------|
| AF | 50 | P | LTR | DESCRIPTION | DATE | DWN | APVD |
| | | | S1 | REVISED PER ECR-14-007779 | 28MAY2014 | GRZ | JL |



SECTION A-A
SCALE 20:1



SECTION B-B
SCALE 20:1

- 1 CONTINUOUS STRIP ON REEL.
- 2 SERRATION DEPTH SHOULD BE MEASURED IN AN AREA FREE FROM FORMING.
- 3 0.00254 [.000100] MIN TIN PLATE.
- 4 0.0038 [.000015] MIN GOLD PLATE OVER 0.00127 [.000050] MIN NICKEL UNDERPLATE.
- 5 GOLD PLATE IS ON WIRE BARREL ONLY.
- 6 REELING: PLASTIC REELS.
- 7 PREPRODUCTION - FASR REQUIRED.
- 8 CRIMP WIDTH 1.78 [.070], F (AMPLIVAR TYPE)
 CRIMP HEIGHT ±0.05 [.002] =
 (TOTAL CMA + 5,000) / 129,000
 GENERAL APPLICATION GUIDELINES MUST BE FOLLOWED AS SPECIFIED IN CATALOG #82221
 FOR APPLICATOR INFO CALL, 1-800-722-1111
 FOR PRODUCT INFO CALL, 1-800-522-6752

| | | | | | |
|----------|-----|-----------|----------|------------|---------|
| | 3 | REVERSE | | 7 | 62194-6 |
| | | TIN PLATE | STANDARD | 6 | 62194-5 |
| | 5 4 | STANDARD | | | 62194-4 |
| OBSOLETE | | REVERSE | | | 62194-3 |
| | 3 | TIN PLATE | STANDARD | | 62194-2 |
| OBSOLETE | | | | | 62194-1 |
| | | FINISH | REELING | WIRE RANGE | PART NO |

| | | | | | | | |
|---|--|--------------------------------|--|---------------|--------------------|-----------------------|--------------------|
| THIS DRAWING IS A CONTROLLED DOCUMENT. | | DWN PHIL FORTNEY 7/27/93 | TE Connectivity | | | | |
| DIMENSIONS: INCHES | | CHK MS FEHER 7/27/93 | | | | | |
| TOLERANCES UNLESS OTHERWISE SPECIFIED: | | APVD D SCHWENK 7/27/93 | NAME SPLICE, AMPLIVAR™ MINIATURE | | | | |
| 0 PLC ± - 1 PLC ± - 2 PLC ± 0.25 [.010] 3 PLC ± - 4 PLC ± - ANGLES ± - | | PRODUCT SPEC - | - | | | | |
| MATERIAL BRASS | | FINISH SEE TABLE | APPLICATION SPEC - | SIZE A3 | CAGE CODE 00779 | DRAWING NO C-62194 | RESTRICTED TO - |
| CUSTOMER DRAWING | | | WEIGHT - | SCALE 10:1 | SHEET 1 OF 1 | REV S1 | |

Mouser Electronics

Authorized Distributor

Click to View Pricing, Inventory, Delivery & Lifecycle Information:

[TE Connectivity:](#)

[62194-2](#)