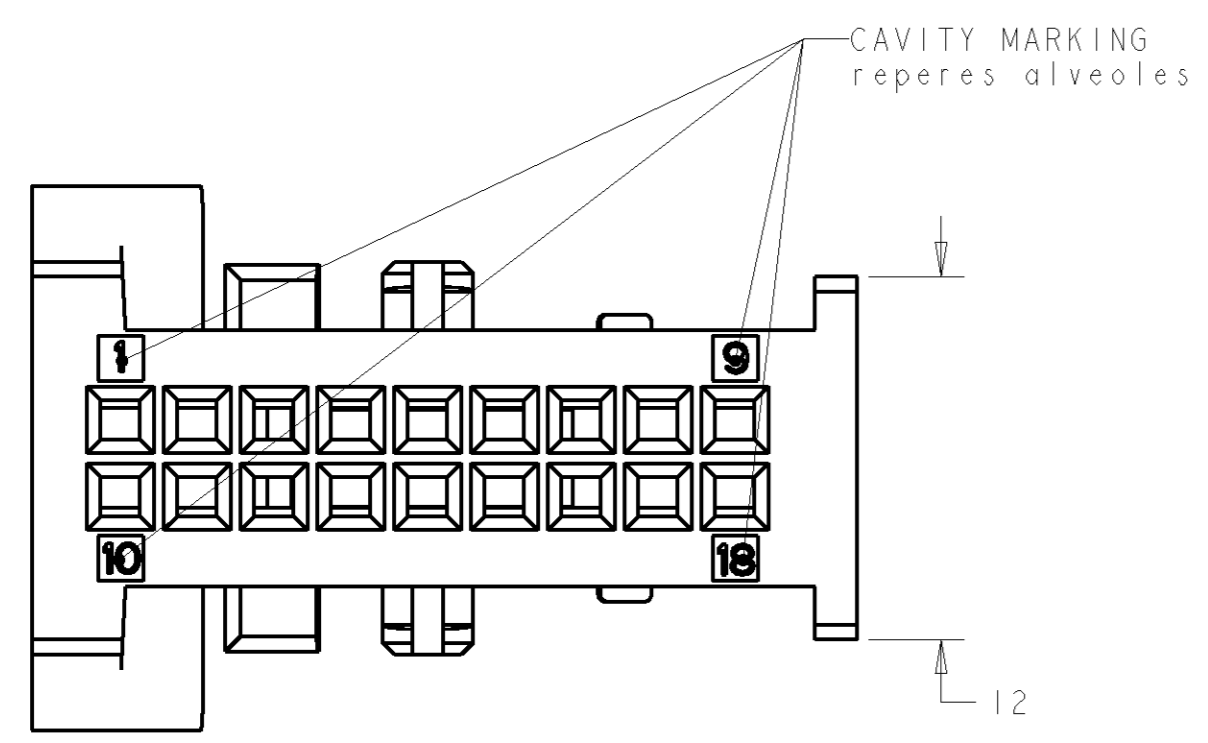
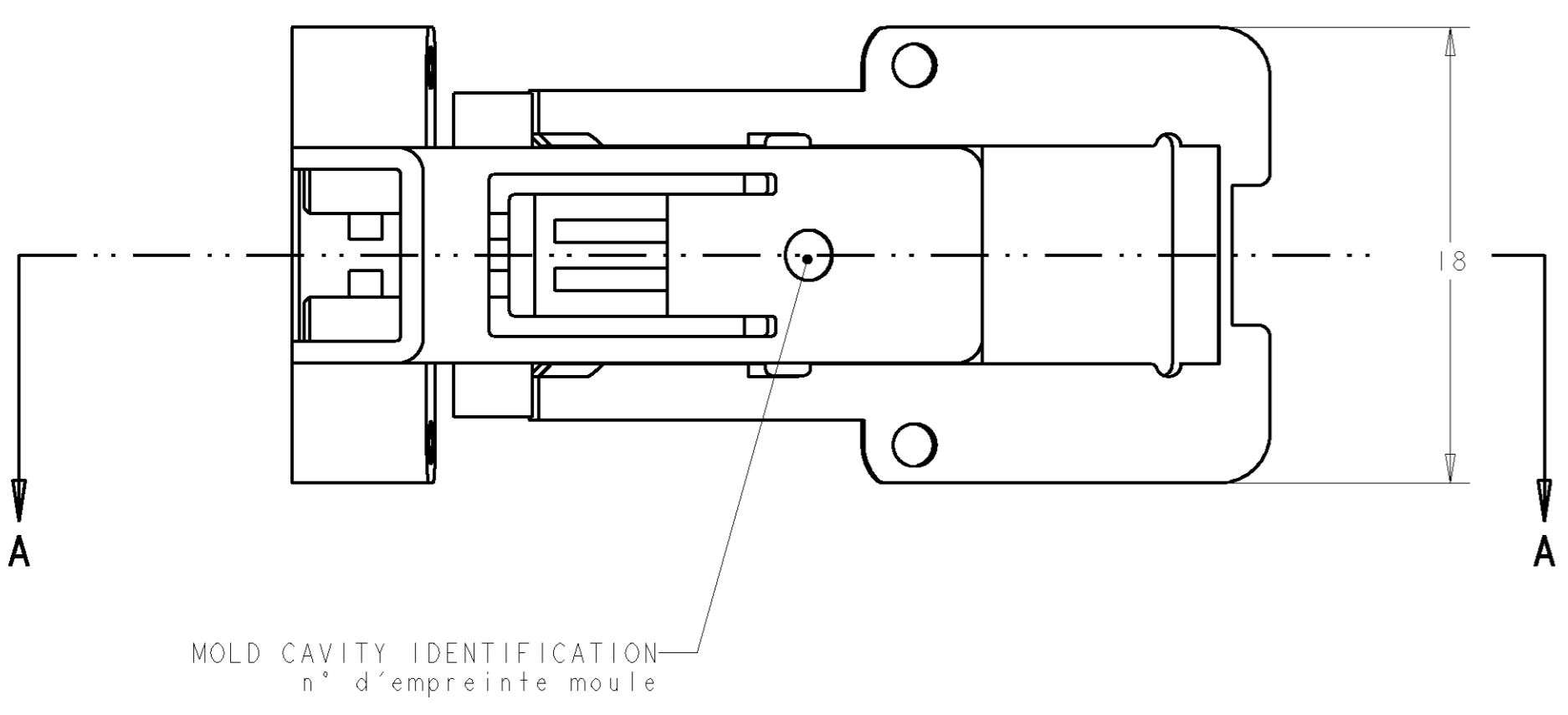
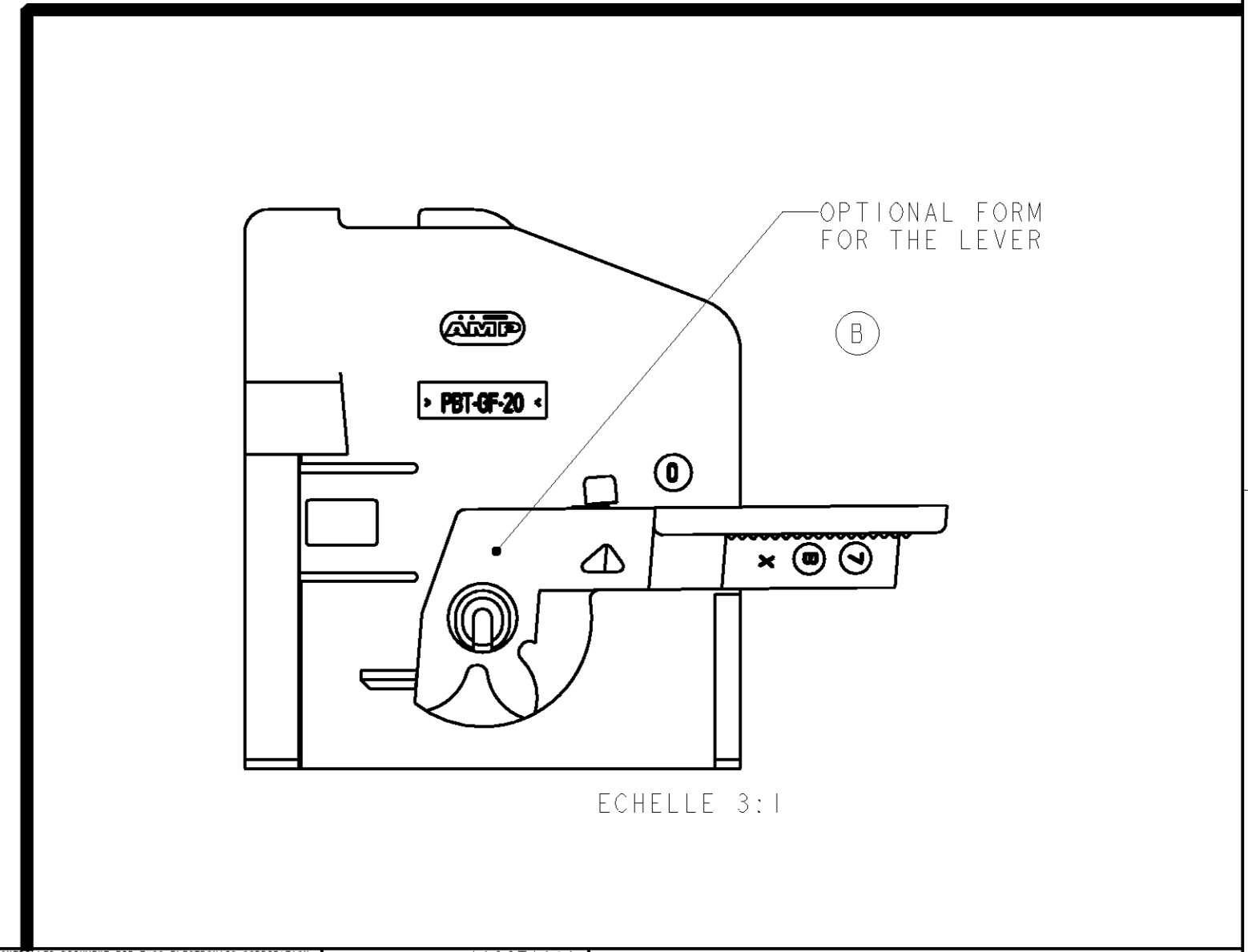
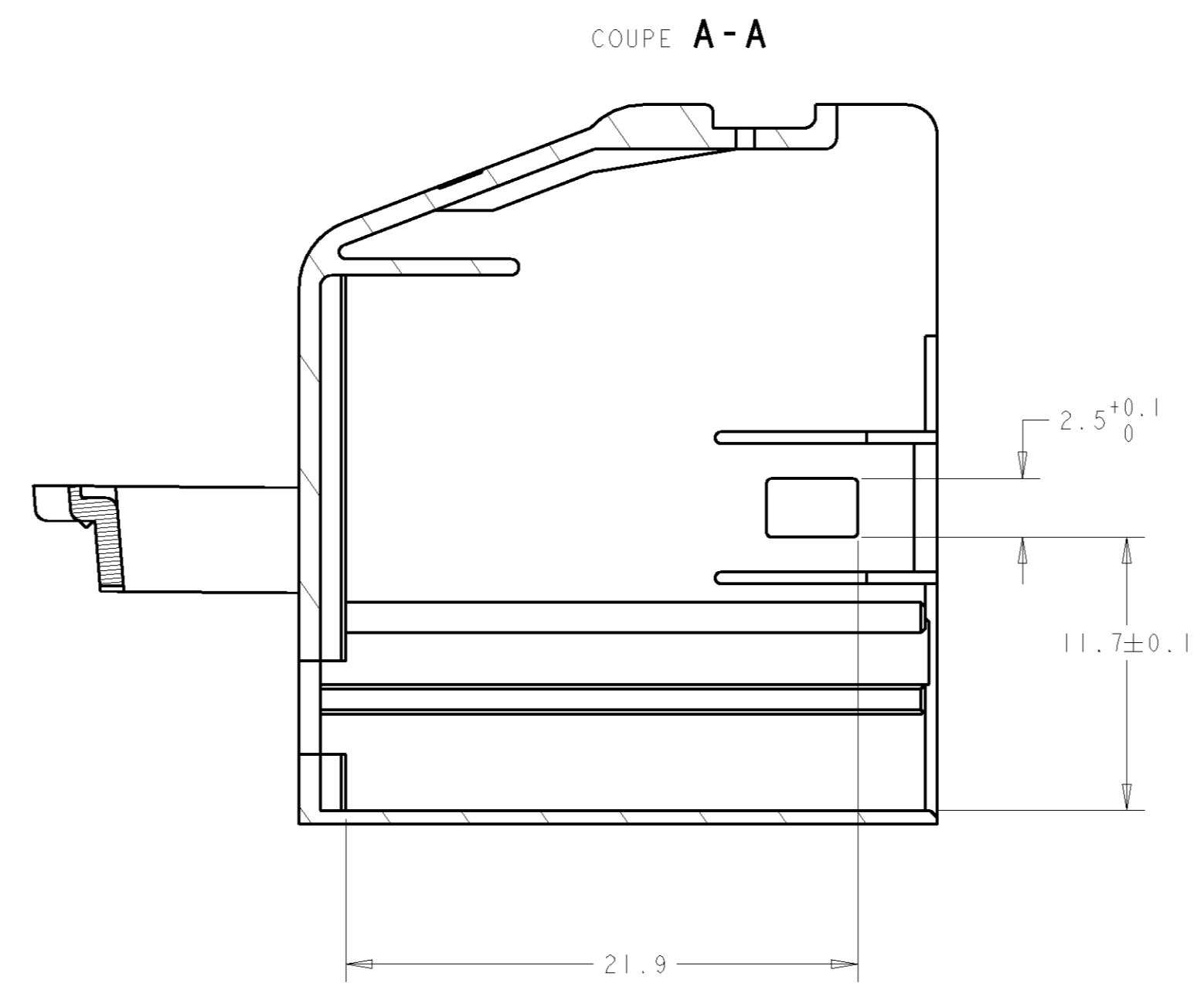
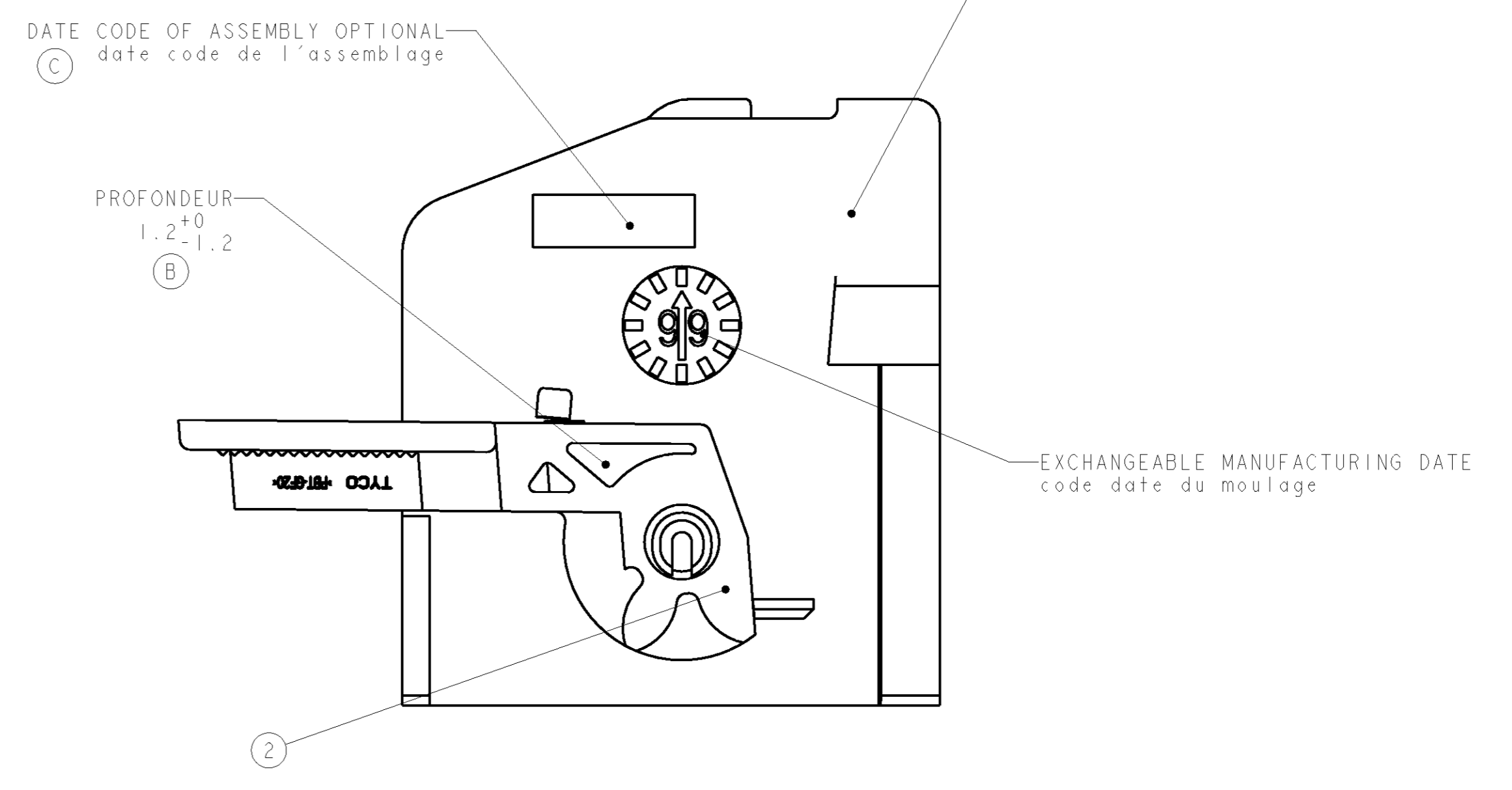
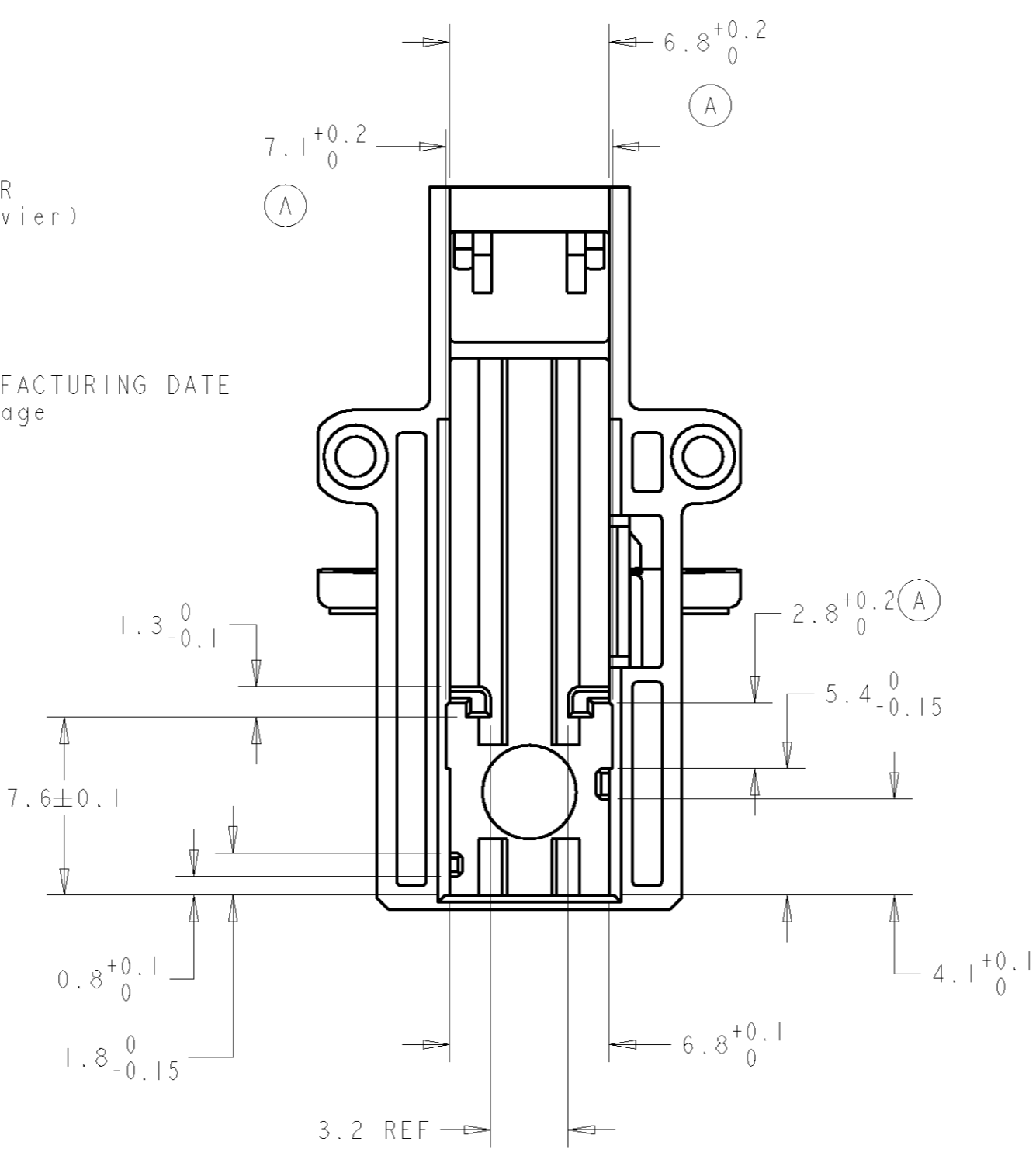
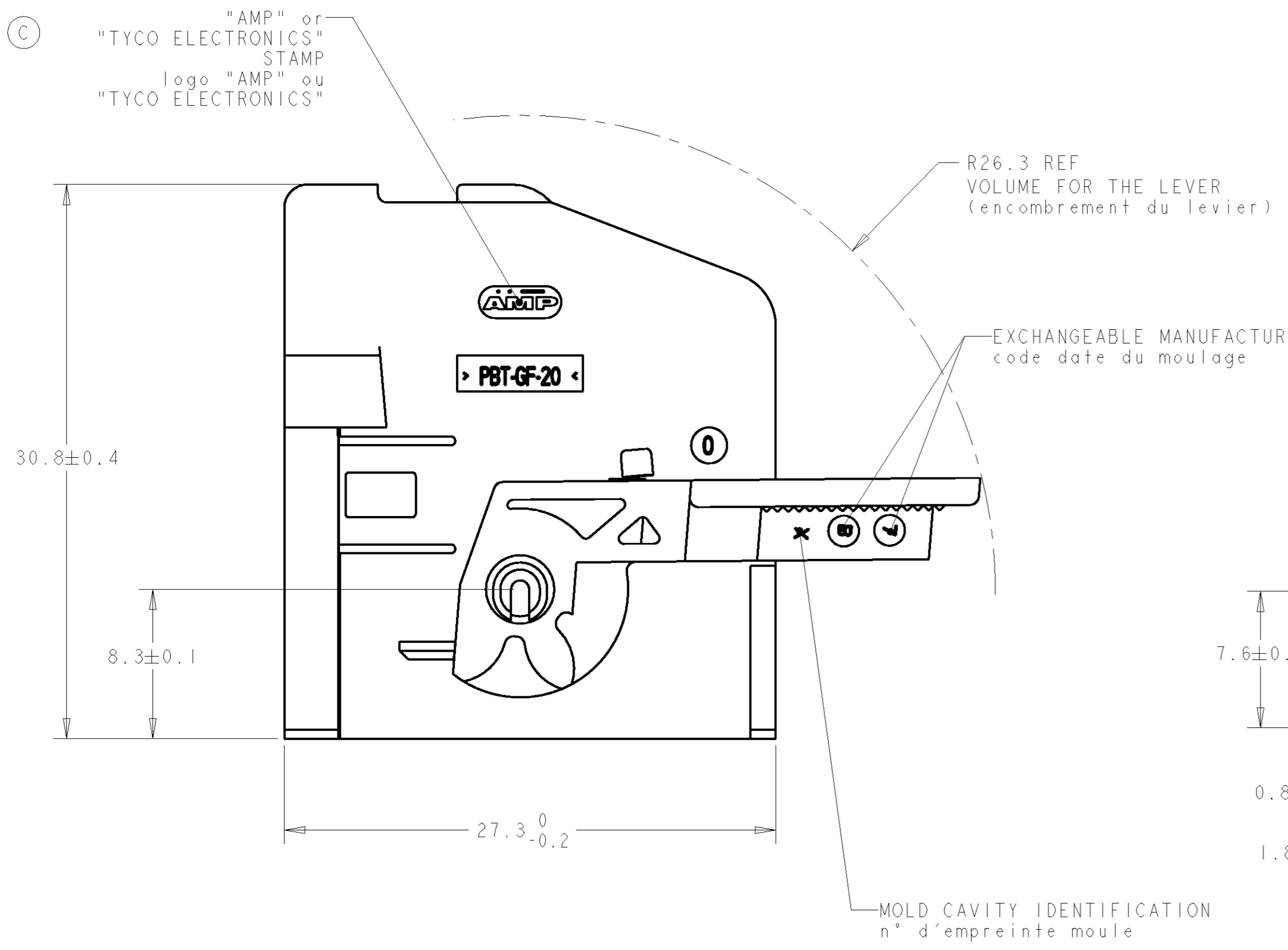


LOC		DIST		REVISIONS					
F	00	REV	DATE	BY	APPV	REVISIONS	DATE	BY	APPV
		A	18APR2001	MP	JL	ADDED 2.8+0.2/-0; 7.1+0.2/-0			
		B	02DEC2002	MP	AA	ADDED OPTIONAL FORM FOR THE LEVER			
		C	13JUL2007	MP	XR	ADDED ASSEMBLY DATE CODE			



DESCRIPTION designation	ITEM rep.	QTTY qte	MATERIAL matiere	TE PN ref TE	COLOR couleur	KEYING detrompage
LEVER levier	2	1	PBT GF 20%	1379100-2	BLACK noir	 ECHELLE 2:1
SHIELD levier	1	1	PBT GF 20%		WHITE blanc	
LEVER levier	2	1	PBT GF 20%	1379100-1	BLACK noir	 ECHELLE 2:1
SHIELD capot	1	1	PBT GF 20%		BLACK noir	



DIMENSIONS: mm TOLERANCES: UNLESS OTHERWISE SPECIFIED: 0 PLC / DEC: ±0.2 1 PLC / DEC: ±0.2 2 PLC / DEC: ±0.2 3 PLC / DEC: ±0.2 4 PLC / DEC: ±0.2 ANGLES: °		FINISH: - FINITION: -		WEIGHT: - MASSES APPROX. 3.5g		CUSTOMER DRAWING /PLAN CLIENT	
TITRE: SHIELD+LEVER FOR 18 POS (0) ASSY GENE II PORTE-MODULE 18 VOIES MOS GENE II (0) ASSY		DWG NO: 100779 CASE CODE: 1379100		SCALE: 4:1 SHEET: 1 OF 1		RESTRICTED TO RESERVE A	

Mouser Electronics

Authorized Distributor

Click to View Pricing, Inventory, Delivery & Lifecycle Information:

[TE Connectivity:](#)

[1379100-1](#)